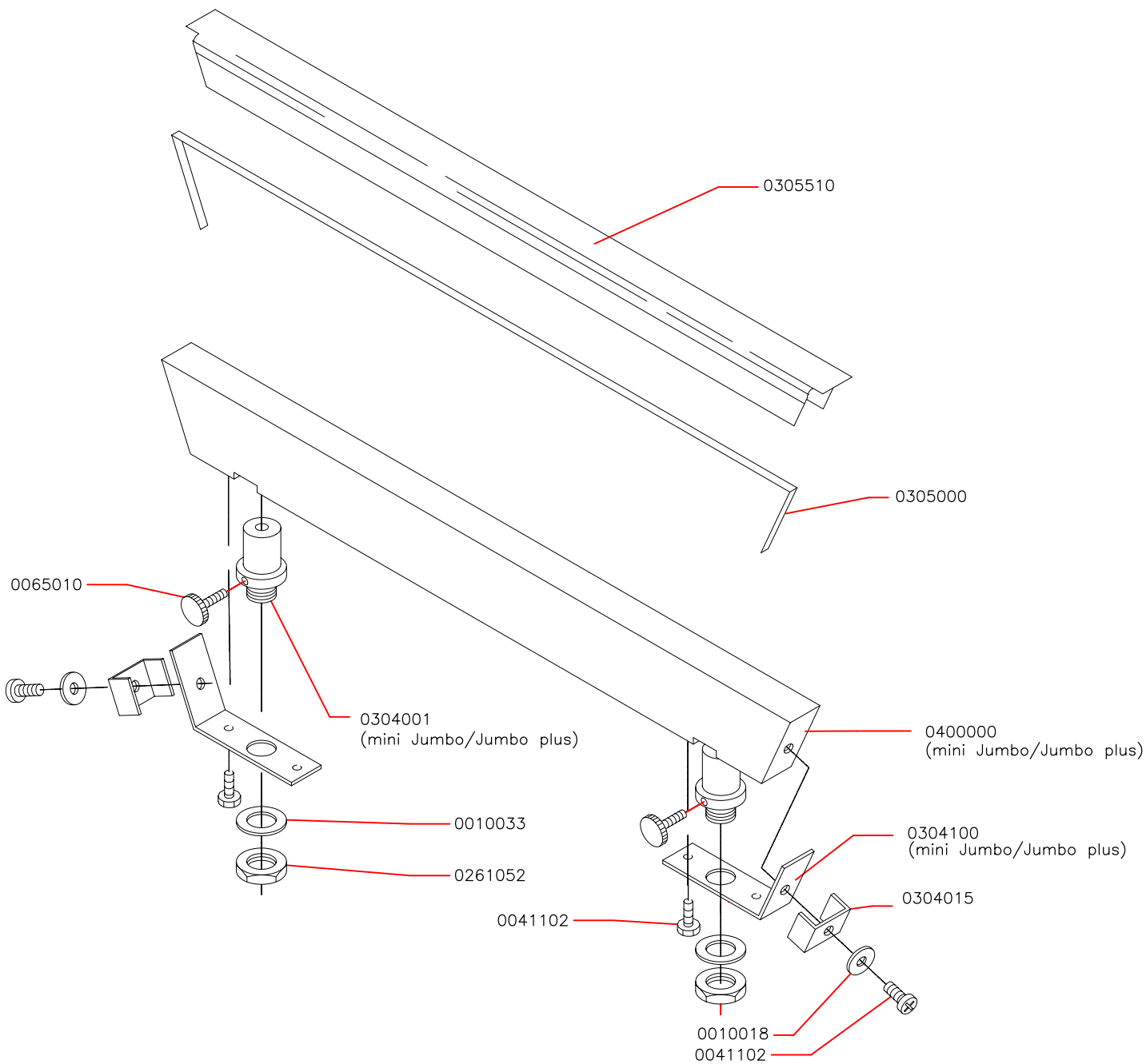
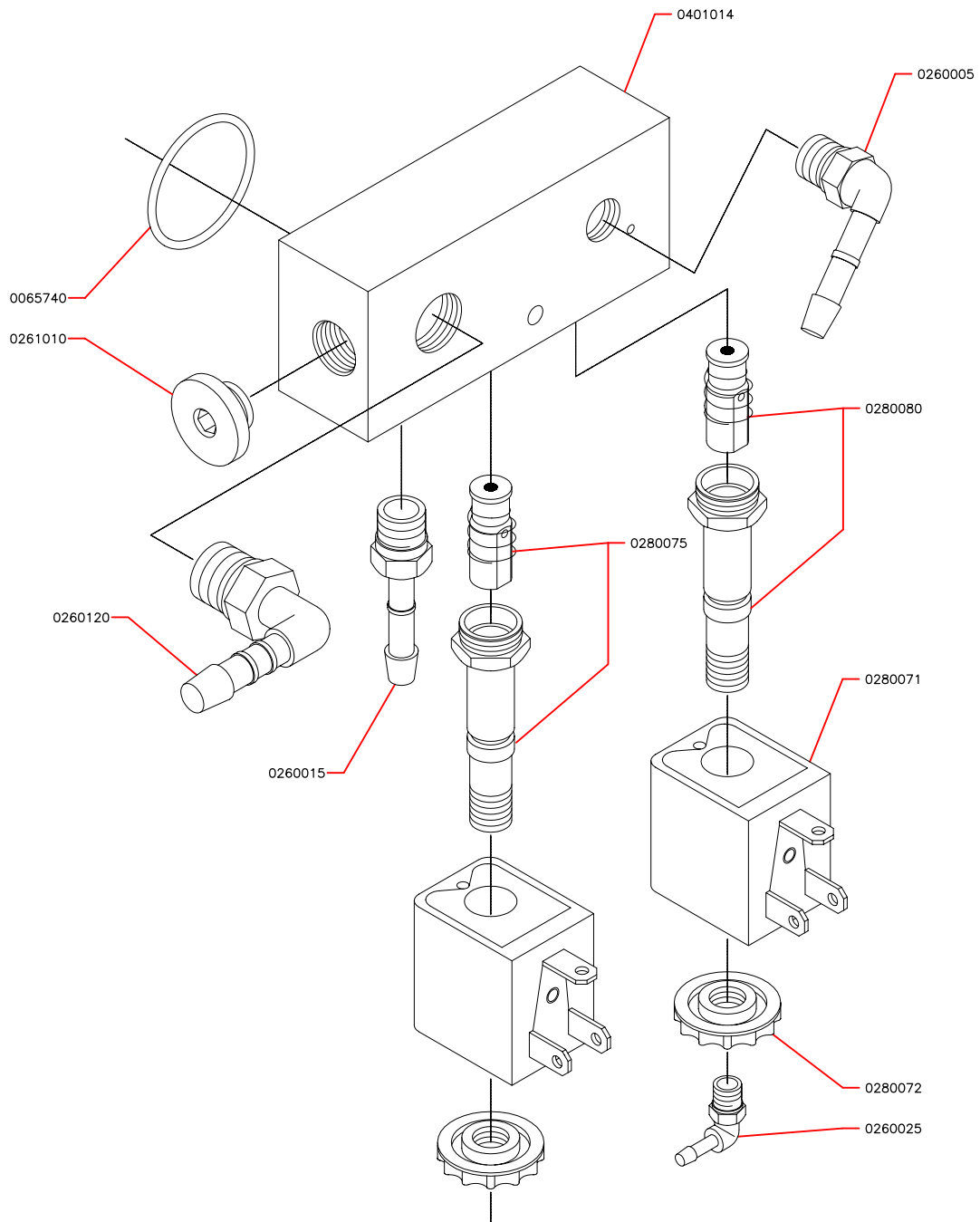
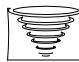
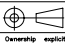


Scale:	Name:	Exploded View Mini Jumbo	
Date:	May 2004		
Drawn by:	MD		
HENKELMAN B.V. P.O. box 2117 5022 CC 's-Hertogenbosch Tel. ++31(0)73 - 6213671 Fax ++31(0)73 - 6213118 The Netherlands		A 4	Drawing: Page 1-1
		Rev. no: 03	



Scale:	Name:	Exploded View	
Date: July 2002	Seal bar Mini Jumbo & Jumbo Plus		
Drawn by: MD			
	HENKELMAN B.V.		
	P.O. box 2117		
	5202 CC 's-Hertogenbosch		
	Tel. ++31(0)73 - 6213671		
	Fax ++31(0)73 - 6221318		
The Netherlands			A 4 Drawing: Page 1-1 Rev, no: 01
<small>Copyright explicitly reserved. Multiplication or information to third parties in any form is not permitted without written permission of the owner.</small>			



Scale:	Name:	Exploded View	
Date: Dec 2004	Valve Unit Mini Jumbo		
Drawn by: MD			
	HENKELMAN B.V.		
	P.O. box 2117		
	5202 CC 's-Hertogenbosch		
	Tel. ++31(0)73 - 6213671		
Fax ++31(0)73 - 6221318		A 4	Drawing: Page 1-1
The Netherlands		Rev. 01	
<small>Ownership explicitly reserved. Multiplication or information to third parties in any form is not permitted without written permission of the owner.</small>			