

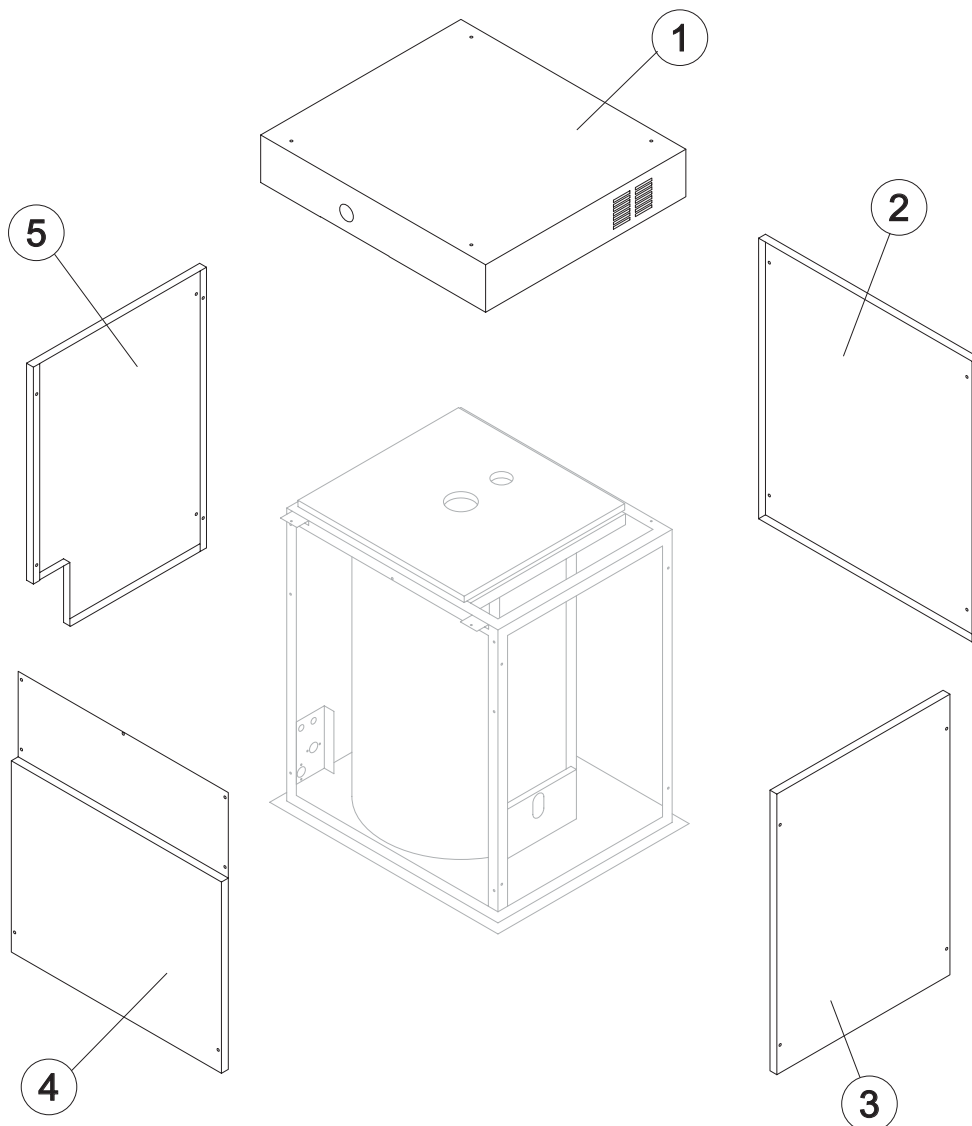


SHELL ASSY

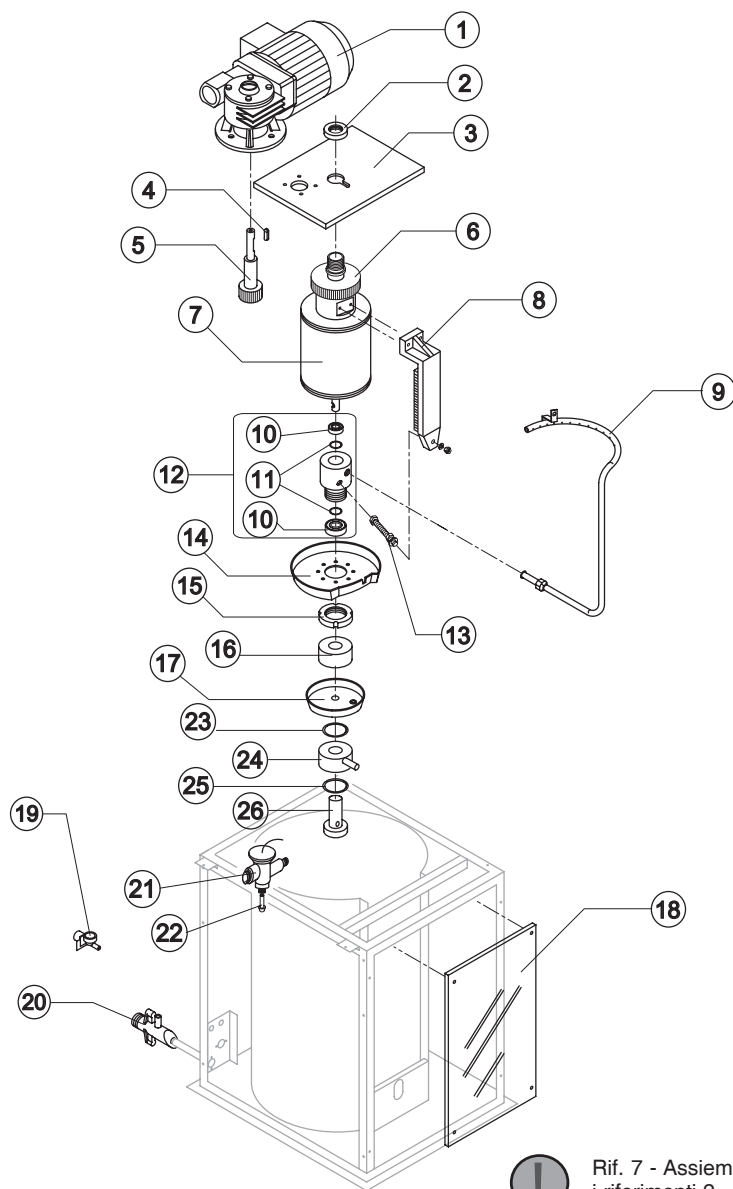
EVAPORATOR

PUMP

ELECTRIC PARTS



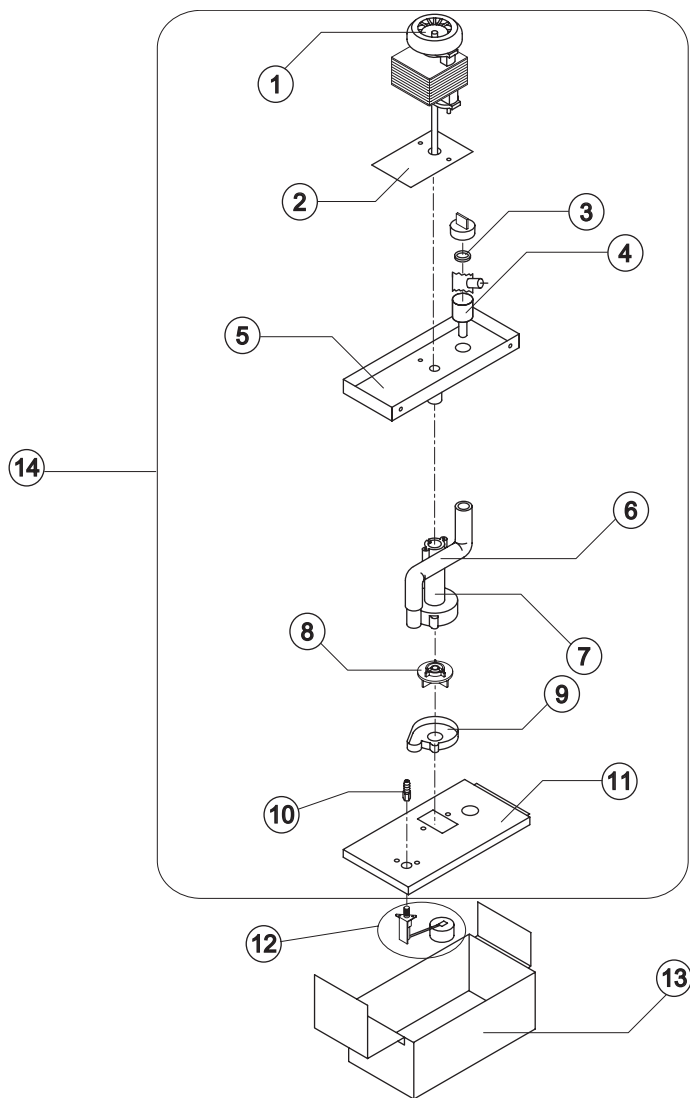
<i>Ref.</i>	<i>Spare Description</i>	<i>Code</i>
1	Top	22160
2	Right Side Panel	22026
3	Front Panel	C22158B
4	Left Side Panel	22157
5	Rear Panel	22159



Ref.	Spare Description	Code
1	Motor with Reduction Gear Assy	23389
2	Cylinder Locking Ring Nut	20765
3	Evaporator Support Plate	20745
4	Key 6x6x40	20350
5	Pinion with Shaft for Gearmotor	20789
6	Ring Gear	20763
7	Evaporator	Vedi Nota C20776
8	Scraper	20768
9	Spray Ring	C221178
10	Stainless Steel Bearing	20752
11	Silicone OR 144 Gasket	20750
12	Complete Rotating Ring	C20773
13	Tie Rod (to Block Scraper)	20769
14	Rotating Basin	10443
15	Ring Nut for Rotating Ring	10469
16	Spacer	20767
17	Fixed Basin	C10192
18	Evaporator Chamber Shield	10444
19	1 Way- Water Inlet Nipple	10368
20	Discharges Manifold	10423
21	Expansion Valve	20826
22	Orifice	20794
23	Silicone Gasket	13006
24	Water Inlet Ring	20774
25	Polythene Gasket	13070
26	Screw	20756



Rif. 7 - Assieme Evaporatore (Cod. C20776) comprende anche i riferimenti 2 - 6 - 8 - 10 - 11 - 13 - 15 - 16 - 24 - 26



Ref.	Spare Description	Code
1	Pump	23600
2	Heat Dissipator	22430
3	Pump Filter Gasket	13080
4	Filtering Element	20254
5	Pump Motor Support	10161
6	Pump-Filter Fitting Pipe	13084
7	Pump Body	10065
8	Pump Impeller	10066
9	Diffusor	10067
10	Connection	20799
11	Water Pump Basin Cover	22420
12	Floating Valve	10188
13	Water Pump Basin	C22443
14	Pump and Filter Assy	C26732



Ref.	Spare Description	Code
1	Contactora	23594
2	Voltage control relay	23903
3	Microswitch for Overflow Ice	23746

