



**Kochgeräte
Kipp-Bratpfannen Serie 700**

Artikel-Nr. 137202
(418031372500XI)

Explosionszeichnung

SPARE PARTS CATALOGUE

Introduction:

This catalog enables to recognize our appliances' main spare parts reading the single exploded views.

How to look up in our catalogue :

Hereunder we describe the correct method to look up in our catalogue, in order to locate the desired spare part in a quicker and more precise way.

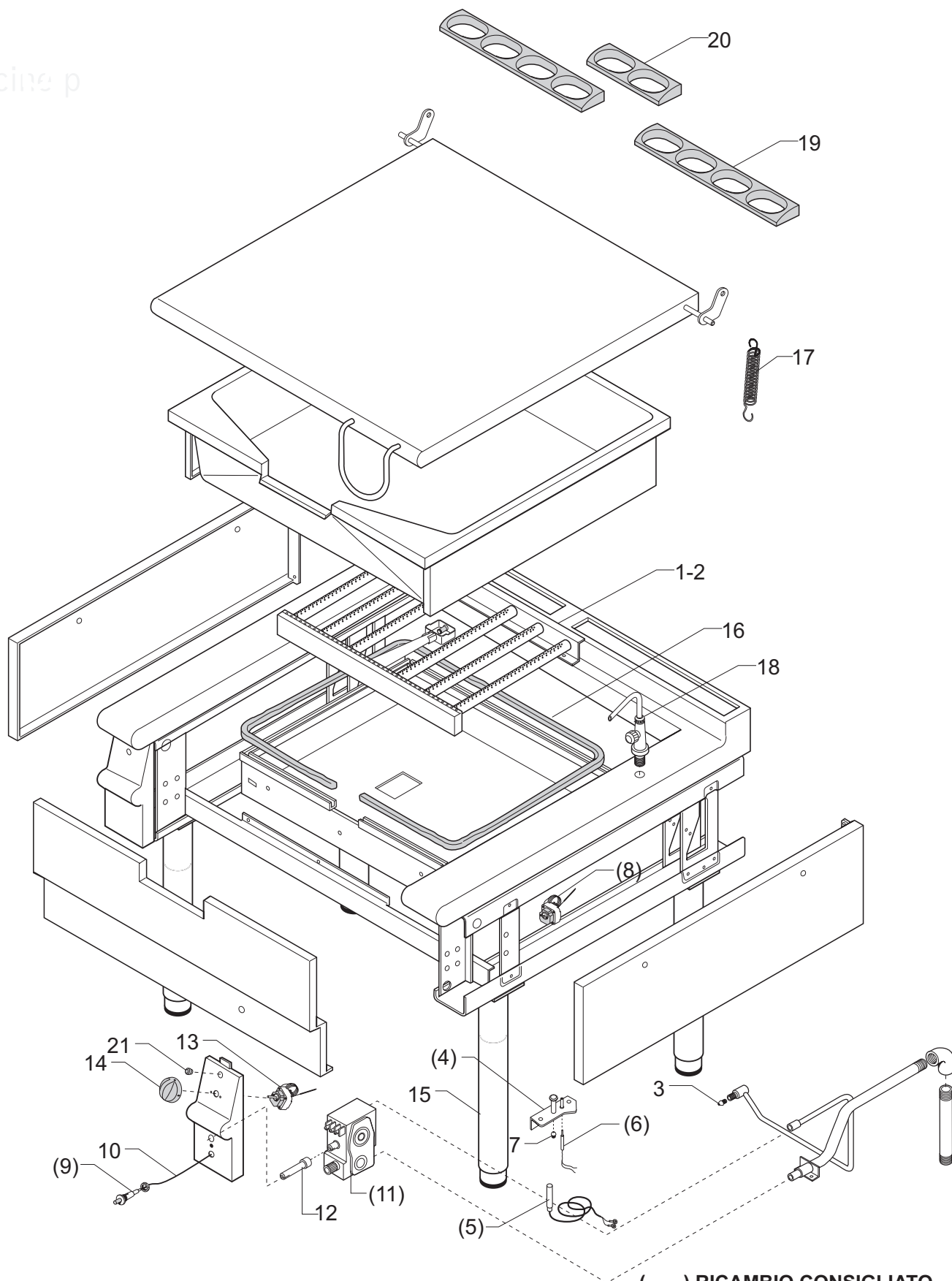
For Example: You need the component's code-number of a gasrange with burners 1/1M.

- 1) Find the appliance's model and serial number on the rating plate.
(The rating plates are positioned in the internal side of the control panel).
- 2) Search for the belonging family in the index (BCPxxx-(0B)) . (f.ex. Gasrange with burners - top 1/1M).
- 3) After you have found the corresponding table you verify if the appliance's serial number is subsequent to that one indicated in the table.
- 4) You locate the desired spare part in the drawing on the left, and find the corresponding position in the table on the right.
- 5) Hence you obtain the codenumber and the description of the spare part you need.

LEGEND:

Position on the EXPLODED VIEW			X => Recommended spare part			
Article's codenr.		Technical description	Quantity x each model		Series	
					1/2M => L=40 cm.	
					1/1M => L=80 cm.	
					1+1/2M => L=120 cm.	
Pos	Codice	Descrizione				
			700			
			1/1M			
1	822410081	Medium burner head (Dm.102)	1			
2	822410051	Medium venturi duct (Dm.102)	1			
14	826920140	Pilot burner	x 2			

cine p



(.....) RICAMBIO CONSIGLIATO
(.....) SUGGESTED SPARE-PARTS

BRASIERA A GAS (Serie 700)
GAS BRATT PANS (Serie 700)

Tav. Rif. BCP0070-(26)

RIF. Da matricola n°
REF. From serial n°

Rev.00 del 14/01/1999

Baron Cucine Professionali S.r.l.

RIPRODUZIONE, ANCHE PARZIALE, VIETATA

BCP0070-(25)

GAS BRATT PANS

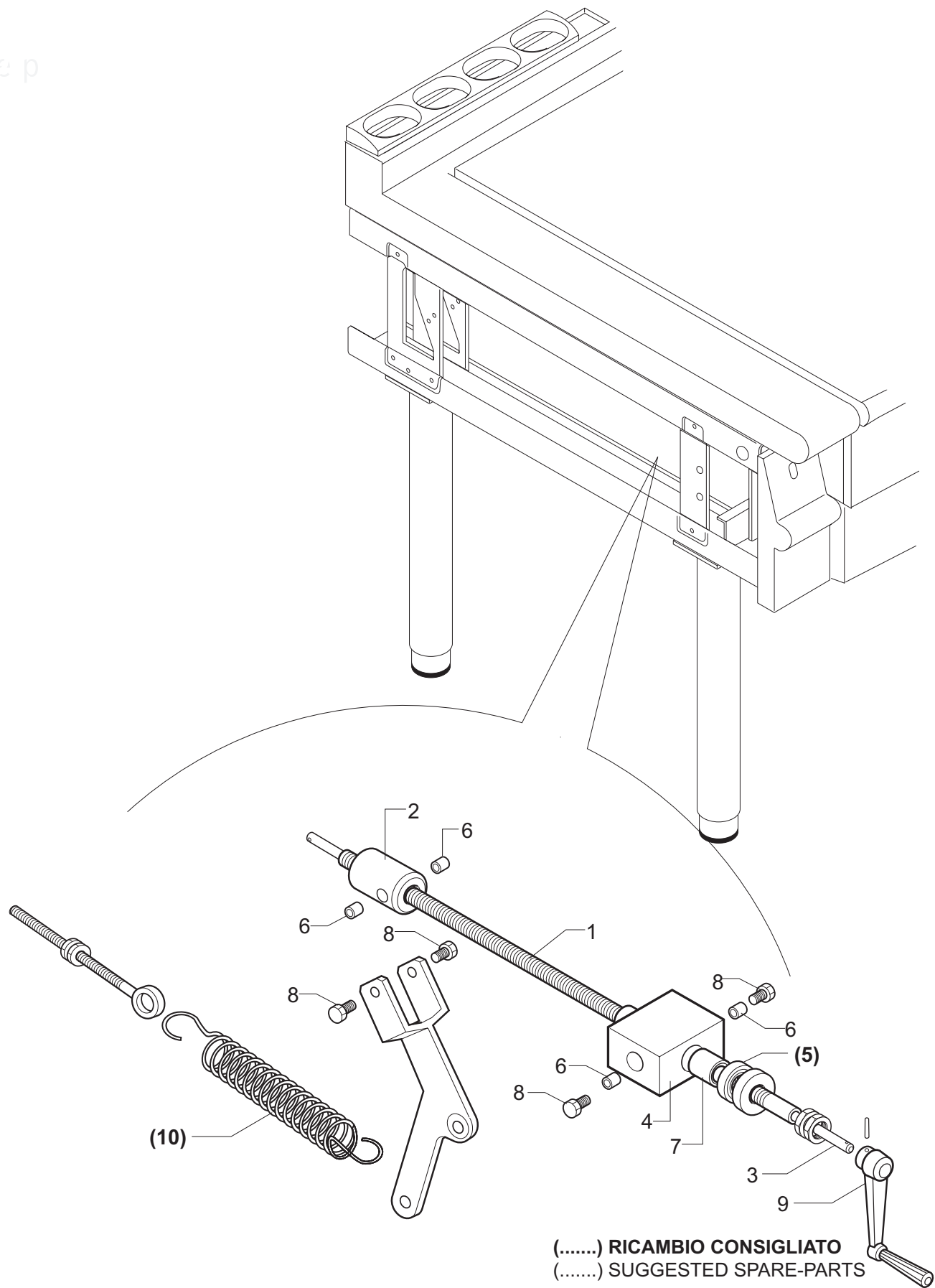
cine p

Pos	Code	Denomination	700						
2	826390071	Burner assembly 700	1						
3	822140050	Nozzle Ø=1.90	1						
3	822140200	Nozzle Ø=1.65	1						
3	822140310	Nozzle Ø=2.80	1						
3	822140320	Nozzle Ø=3.10	1						
4	826920110	Pilot + Spark plug	x 1						
5	826920100	Thermopile	x 1						
6	826920130	Interrupted thermocouple M9x1 L=400	x 1						
7	822140350	Pilot nozzle N.51	1						
7	822140360	Pilot nozzle N.30 (GPL)	1						
7	822140370	Pilot nozzle N.25	1						
8	826630010	Safety thermostat	x 1						
9	826630020	Piezo lighter	x 1						
10	826690011	Lighter cable L=650 mm	x 1						
11	826920090	SIT 820 valve gas	x 1						
12	824710350	Extension for valve	1						
13	826630191	Monophase thermostat 50-320°C	x 1						
14	824710270	Thermostat knob 50-300°C	x 1						
15	826490381	2" Leg assembly	4						
16	825110080	Gasket (per meter)	1,9						
17	823210031	Cover spring	1						
18	826900260	Water inlet tap	1						
19	822410120	Exhaust grid	2						
20	822410130	Exhaust grid L=200mm	1						
21	824710080	Red index	2						

X: Suggested PARTS

BRASIERA GAS (Serie 700 - 1/1M)		RIF.	Da matricola n°
GAS BRATT PANS		REF.	From serial n°
Baron Cucine Professionali S.r.l. GB		BCP0070-(26)	
RIPRODUZIONE ANCHE PARZIALE, VIETATA			

cine p



(.....) RICAMBIO CONSIGLIATO
 (.....) SUGGESTED SPARE-PARTS

GRUPPO SOLLEVAMENTO VASCA (Serie 700)
 TANIC TILTING SET (Serie 700)

Tav. Rif. BCP0070-(28)

RIF. Da matricola n°
 REF. From serial n°

Rev.00 del 14/01/1999

Baron Cucine Professionali S.r.l.

RIPRODUZIONE, ANCHE PARZIALE, VIETATA

BCP0070-(27)

cine p

GAS BRATT PANS TANIC TILTING SET

Pos	Code	Denomination	700					
1	822160171	Screw for tanic tilting	1					
2	822160160	Trapezoidal female screw	1					
3	822160140	Rod for handle	1					
4	822160151	Guide for screw for tanic tilting	1					
5	826900240	Roller D=17 H=12	x	1				
6	8227908086	Bushing GL YCODUR D=8 H=8	4					
7	8227909176	Bushing GL YCODUR D=17 L=20	1					
8	822160130	Special screw for actioning	4					
9	826900620	Handle	1					
11	823210020	Tilting spring 700 tanic	x	1				

X : Suggested PARTS

GRUPPO SOLLEVAMENTO VASCA (Serie 700 - 1/1M)	RIF.	Da matricola n°	
TANIC TILTING SET	REF.	From serial n°	
Baron Cucine Professionali S.r.l.	GB	BCP0070-(28)	
<small>RIPRODUZIONE ANCHE PARZIALE, VIETATA</small>			