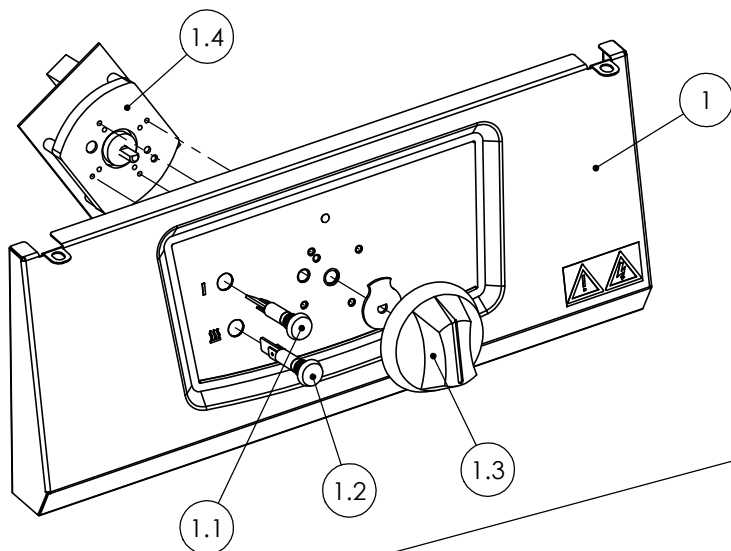


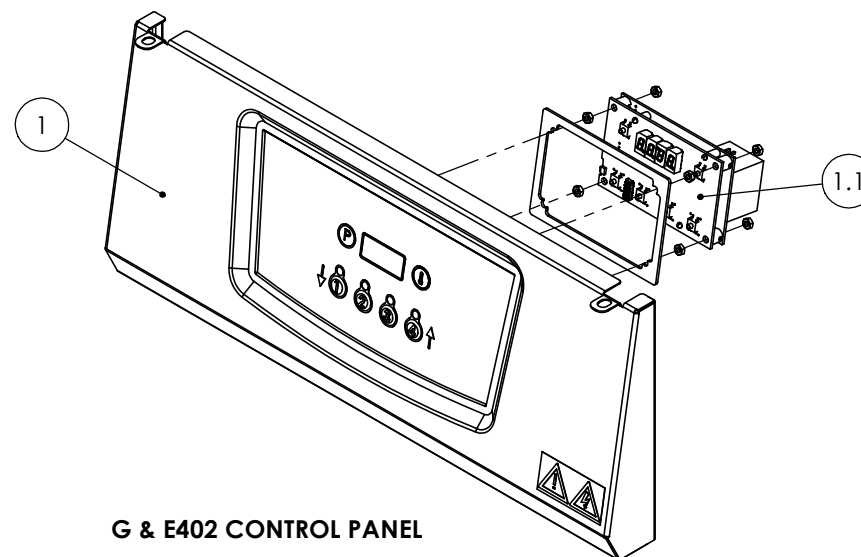
# 400 Series Fryers

## G & E401 CONTROL PANEL



ITEM	DESCRIPTION	SPARES No.
1	CONTROL PANEL ASSEMBLY	731350000
1.1	RED NEON	735010370
1.2	AMBER NEON	735010380
1.3	CONTROL KNOB C/W STOP	731350001
1.4	CONTROLLER	731350002

ITEM	DESCRIPTION	SPARES No.
1	CONTROL PANEL ASSEMBLY	731360000
1.1	CONTROLLER C/W SPACER	731360001



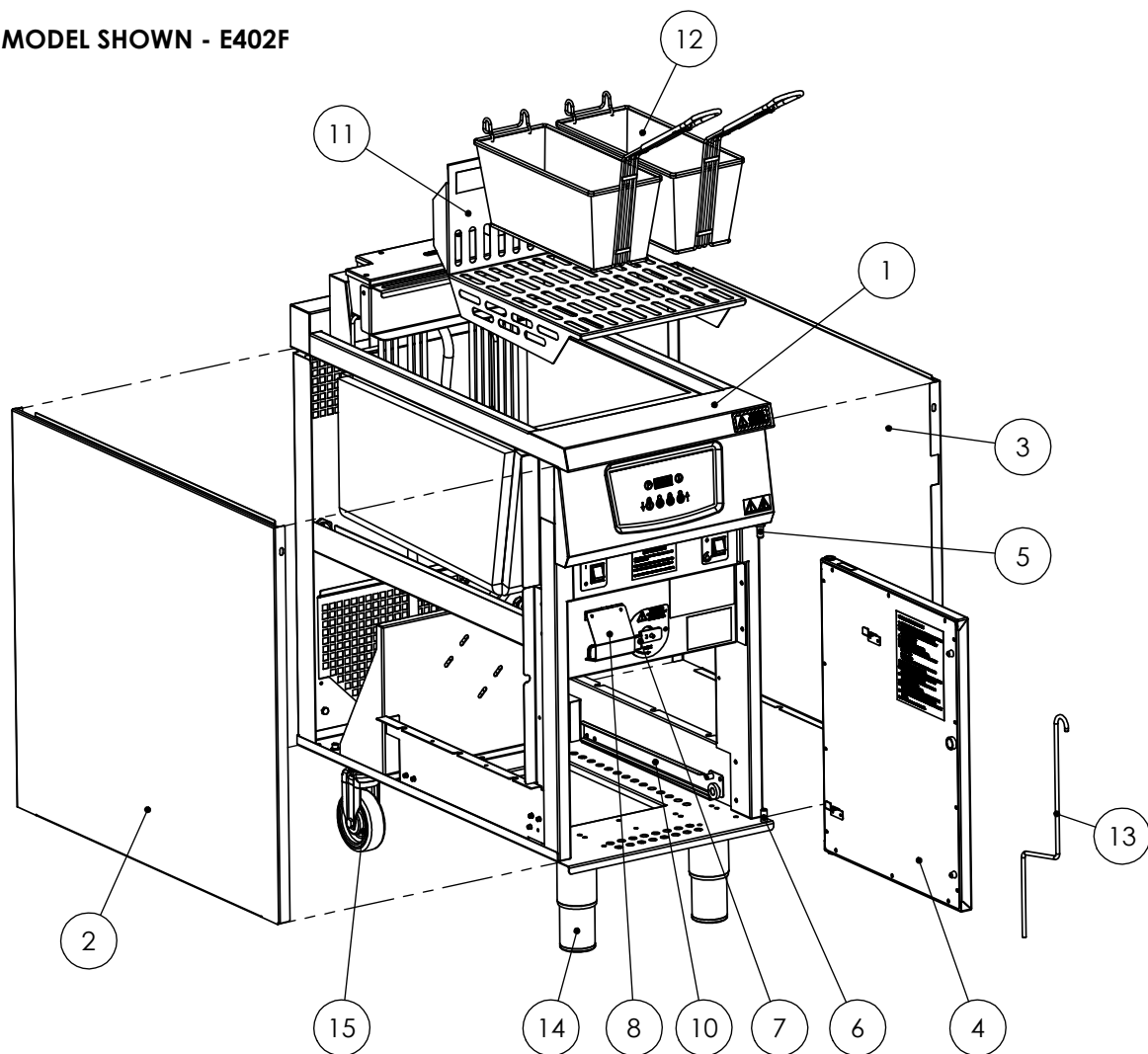
G & E402 CONTROL PANEL



Issue	Alteration	Date	Product	Document Reference
A	Initial Issue	09/08/11	E/G 401/402	AD48017

# 400 Series Fryers

MODEL SHOWN - E402F

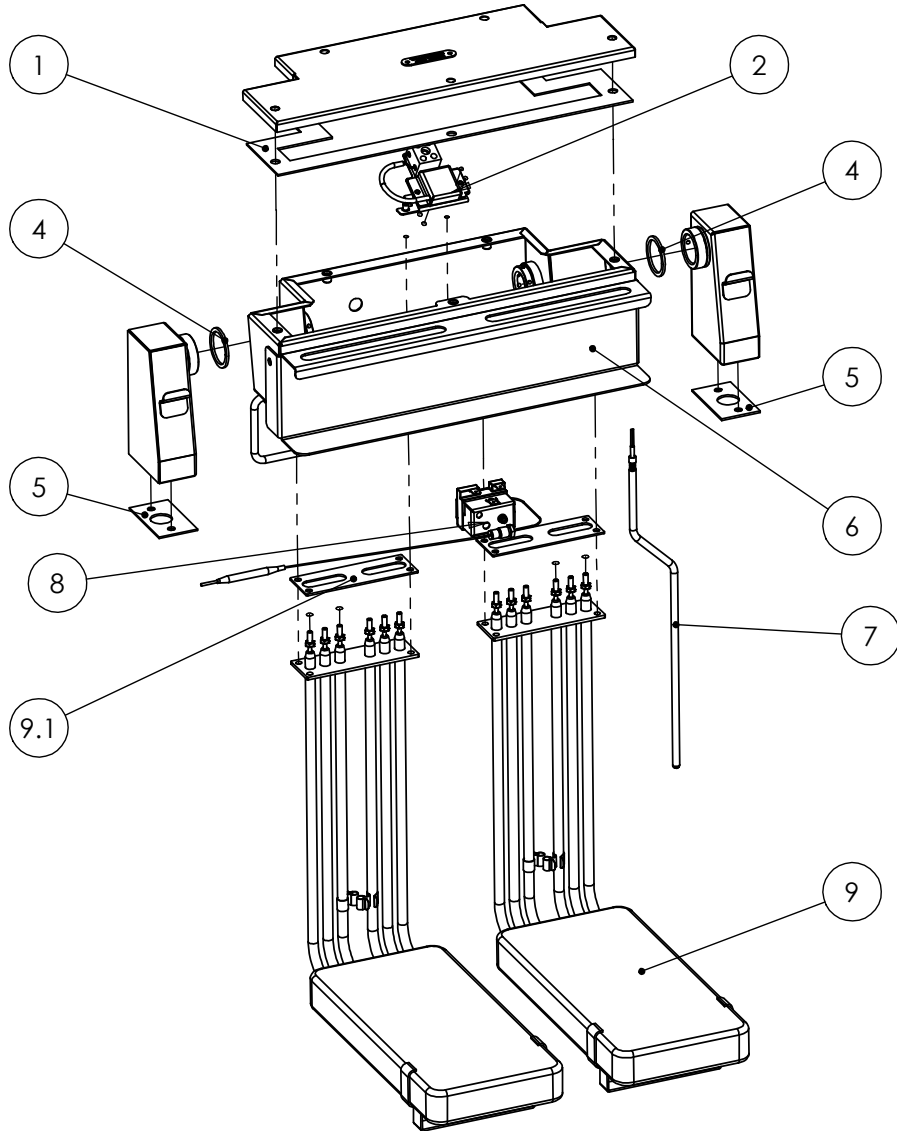


ITEM	DESCRIPTION	SPARES No
1	HOB / PAN ASSEMBLY C/W DRAIN VALVE	731350003
2	LH OUTER SIDE	731350004
3	RH OUTER SIDE	731350005
4	DOOR ASSEMBLY	731350006
5	TOP DOOR HINGE	536430108
6	BOTTOM DOOR HINGE PIN	536430109
7	DRAIN HANDLE	731350007
8	DRAIN HANDLE FLAP	731350008
9	LH BUCKET RUNNER (NOT SHOWN)	731350009
10	RH BUCKET RUNNER	731350010
11	ELEMENT GUARD	731350011
12	CHIP BASKET	536430126
13	DRAIN PROD / LIFTING TOOL	731350012
14	ADJUSTABLE FEET	731350013
15	CASTORS	731350014



Issue	Alteration	Date	Product	Document Reference
A	Initial Issue	09/08/11	E401/E402	AD48018

# 400 Series Fryers

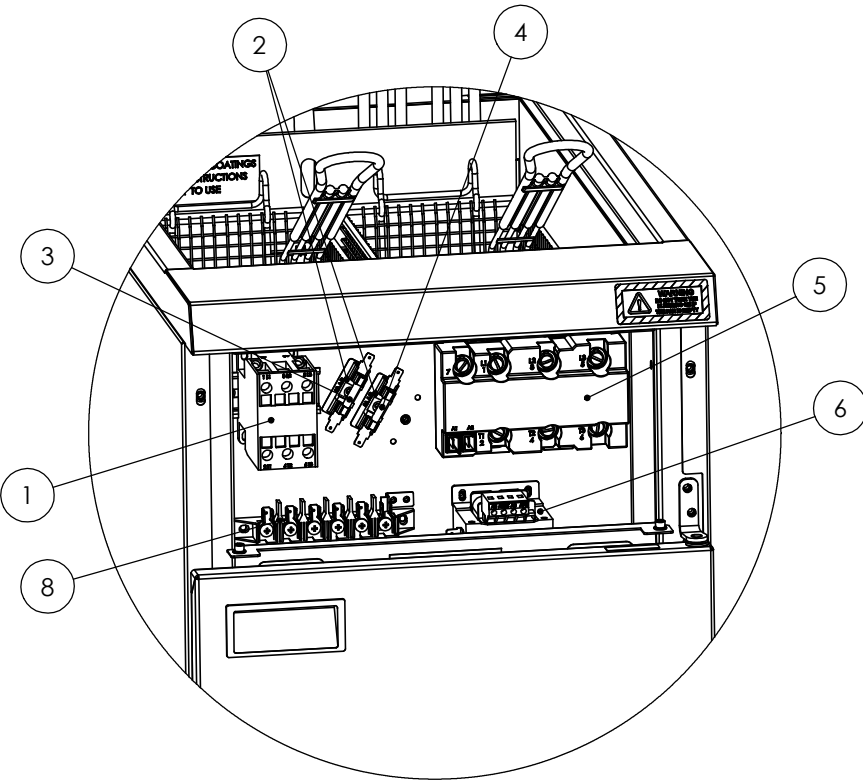


ITEM	DESCRIPTION	SPARES No
1	ELEMENT BOX LID GASKET	731350015
2	TILT SWITCH ASSEMBLY	731350051
3		
4	ELEMENT BOX CABLE GASKET	731350017
5	ELEMENT BOX SUPPORT GASKET	731350018
6	BASKET HANGING RAIL	731350019
7	THERMISTOR PROBE C/W FITTINGS	731350020
8	SAFETY STAT C/W FITTINGS	731350021
9	ELEMENT C/W GASKET	731350022
9.1	ELEMENT GASKET	731350023



Issue	Alteration	Date	Product	Document Reference
B	Initial Issue	09/08/11	E401/E402	AD48019

# 400 Series Fryers



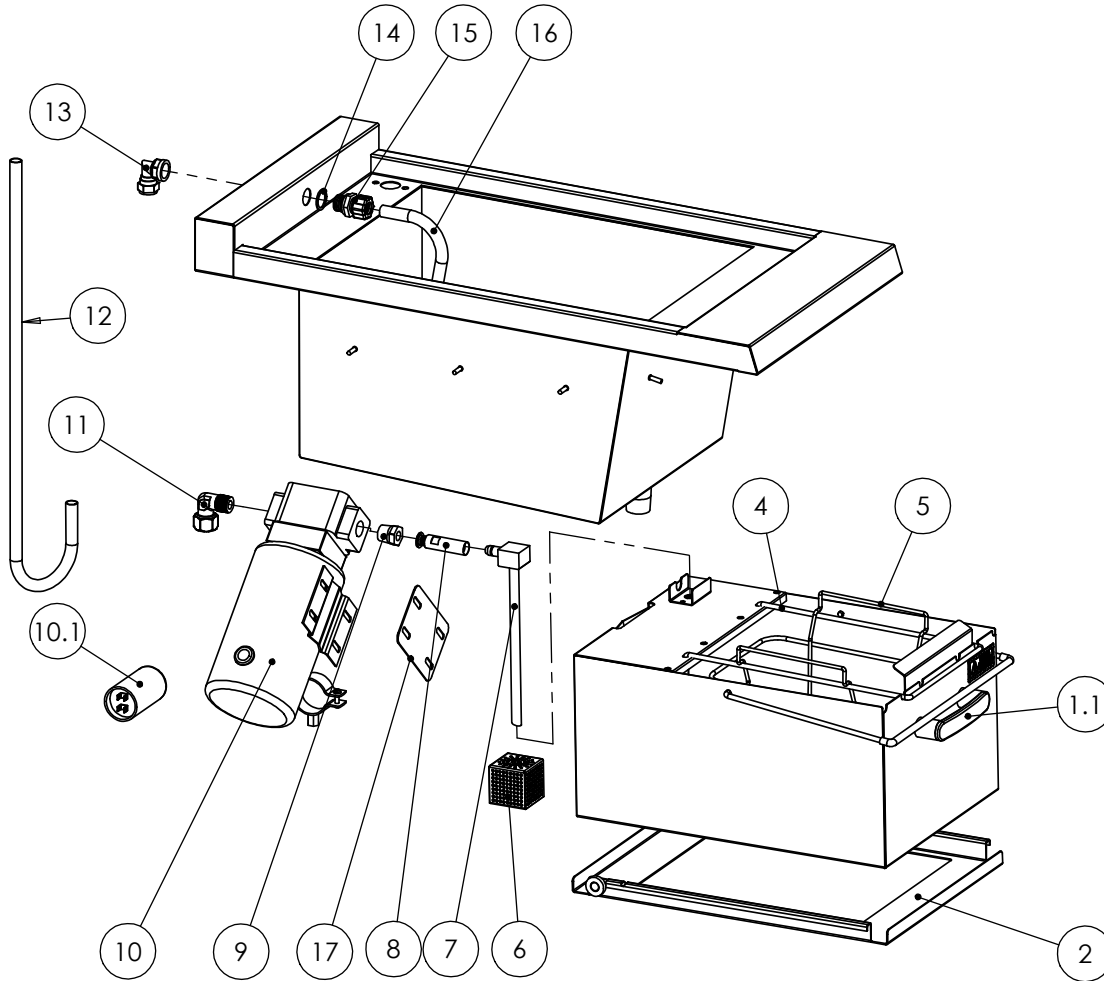
MODEL SHOWN - E402F

ITEM	DESCRIPTION	UNIT	SPARES No
1	CONTACTOR		734510010
2	FUSE HOLDER		734310510
3	2 AMP ANTI-SURGE FUSE		731050002
4	5 AMP ANTI-SURGE FUSE	FILTER MODELS ONLY	536430009
5	SOLID STATE POWER SWITCH		731350024
6	STEP-DOWN TRANSFORMER	402 ONLY	731360002
7	ROCKER SWITCH		732950006
8	MAINS TERMINAL BLOCK		731000006
9	MAINS INLET CABLE PRE MAY 2011		731350025
9A	MAINS INLET CABLE POST MAY 2011		731350046
10	MAINS INLET CABLE GLAND C/W NUT (NOT SHOWN)		731350026
11	MAIN WIRING LOOM (NOT SHOWN)	FILTER MODELS ONLY	731350027
12	MAIN WIRING LOOM (NOT SHOWN)	NON-FILTER MODELS	731370000
13	CONTROL PANEL WIRING LOOM (NOT SHOWN)	401 ONLY	731350028
14	CONTROL PANEL WIRING LOOM (NOT SHOWN)	402 ONLY	731360003



Issue	Alteration	Date	Product	Document Reference
B	Initial Issue	09/08/11	E401/E402	AD48020

# 400 Series Fryers



ITEM	DESCRIPTION	SPARES No
1	OIL CONTAINER ASSEMBLY	731350029
1.1	OIL CONTAINER FRONT HANDLE	731350030
2	OIL CONTAINER CARRIER	535770028
3	FINE MESH FILTER	737101159
4	FINE MESH FILTER WIRE SUPPORT	737101143
5	BASKET FILTER	731350031
6	SUCTION PIPE FILTER	731350032
7	SUCTION PIPE C/W 'O' RING	731350033
7.1	SUCTION PIPE 'O' RING (NOT SHOWN)	731350034
8	OIL INLET NOZZLE C/W WASHER	731350035
9	REDUCER	731350036
10	OIL PUMP	731350037
10.1	OIL PUMP CAPACITOR	731350038
11	PUMP ELBOW	731350039
12	OIL PUMP OUTLET PIPE	731350040
13	OIL RETURN ELBOW	731350041
14	OIL RETURN PIPE GASKET	731350042
15	OIL RETURN COUPLING	731350043
16	OIL RETURN PIPE	731350044
17	PUMP GASKET	731350047



Issue	Alteration	Date	Product	Document Reference
B	Initial Issue	09/08/11	E401/E402	AD48021