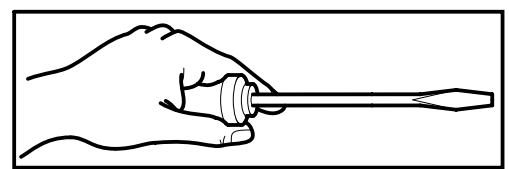
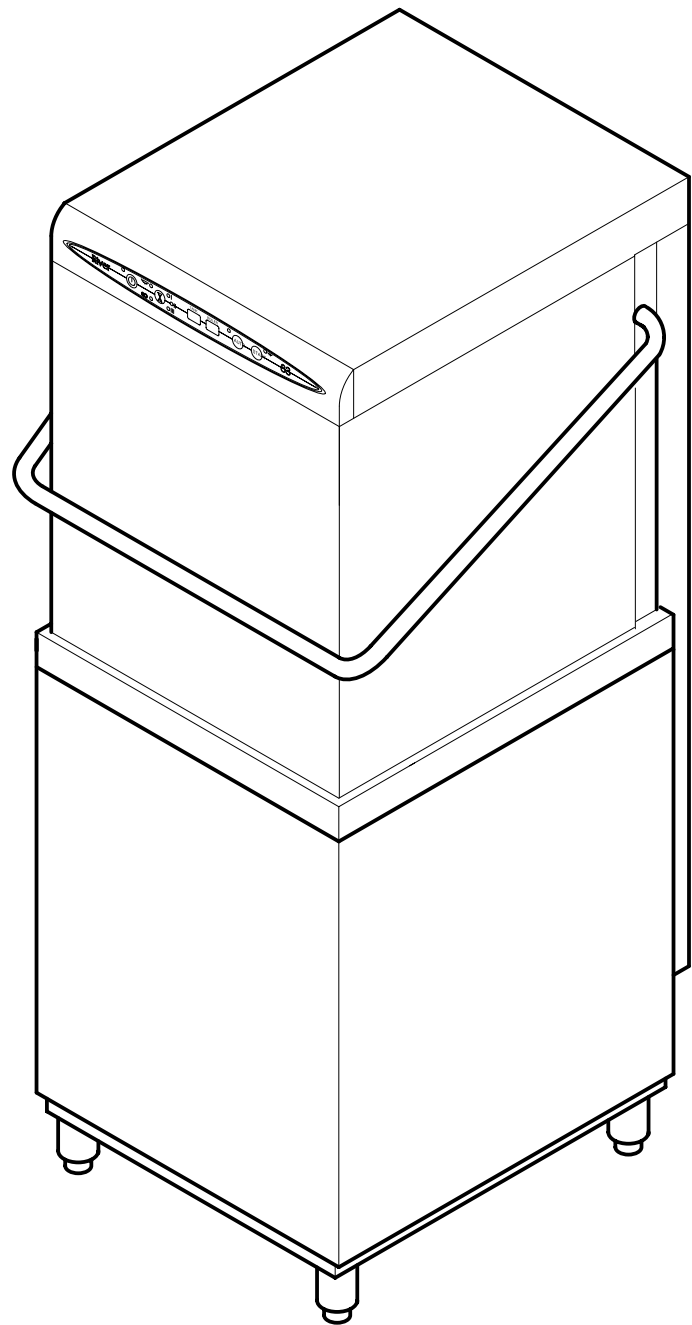


River

81/82

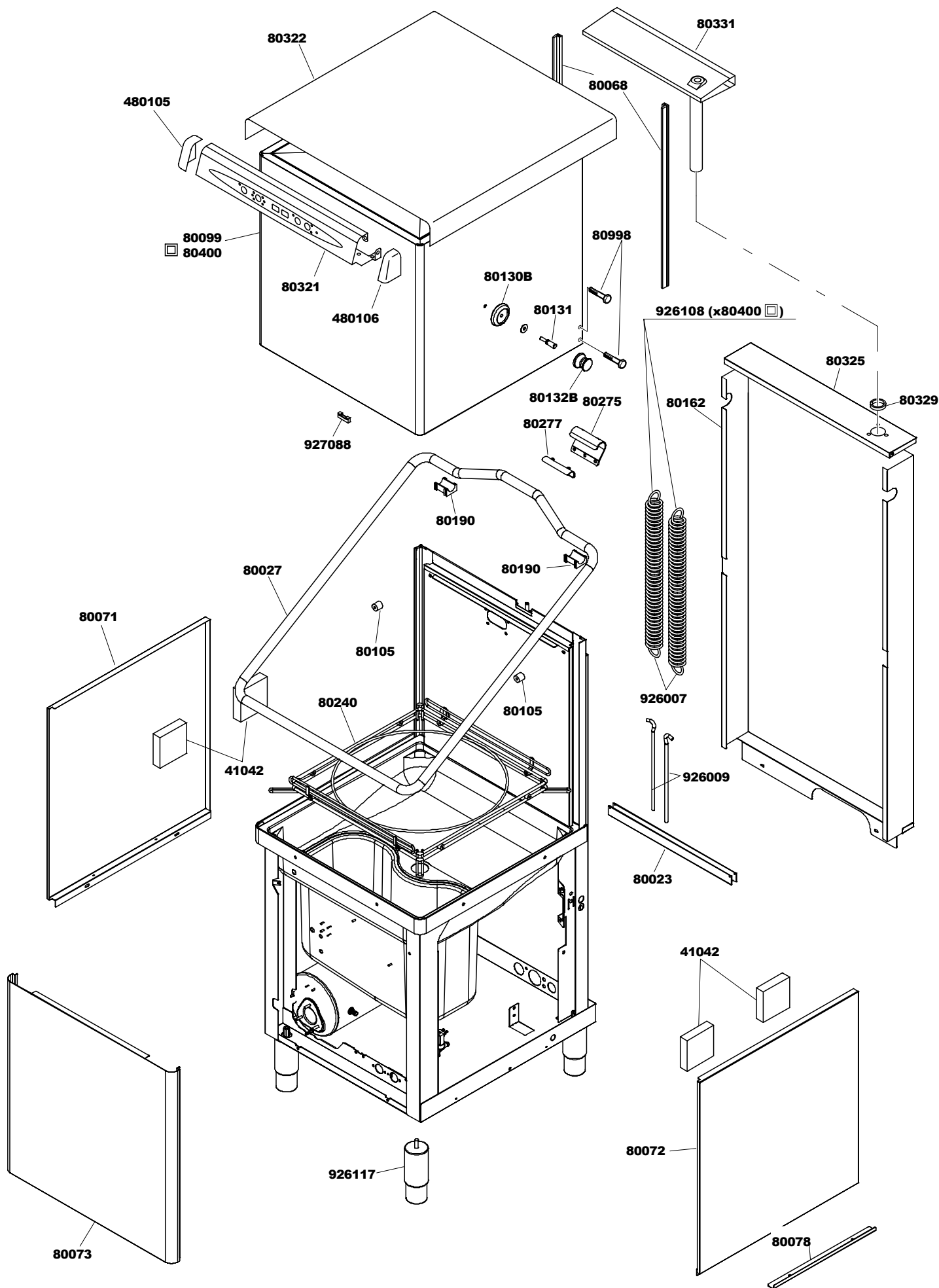
C	R	P
O	I	E
N	N	R
S	S	F
T	E	O
		R
		M
		A
		N
		C
		E



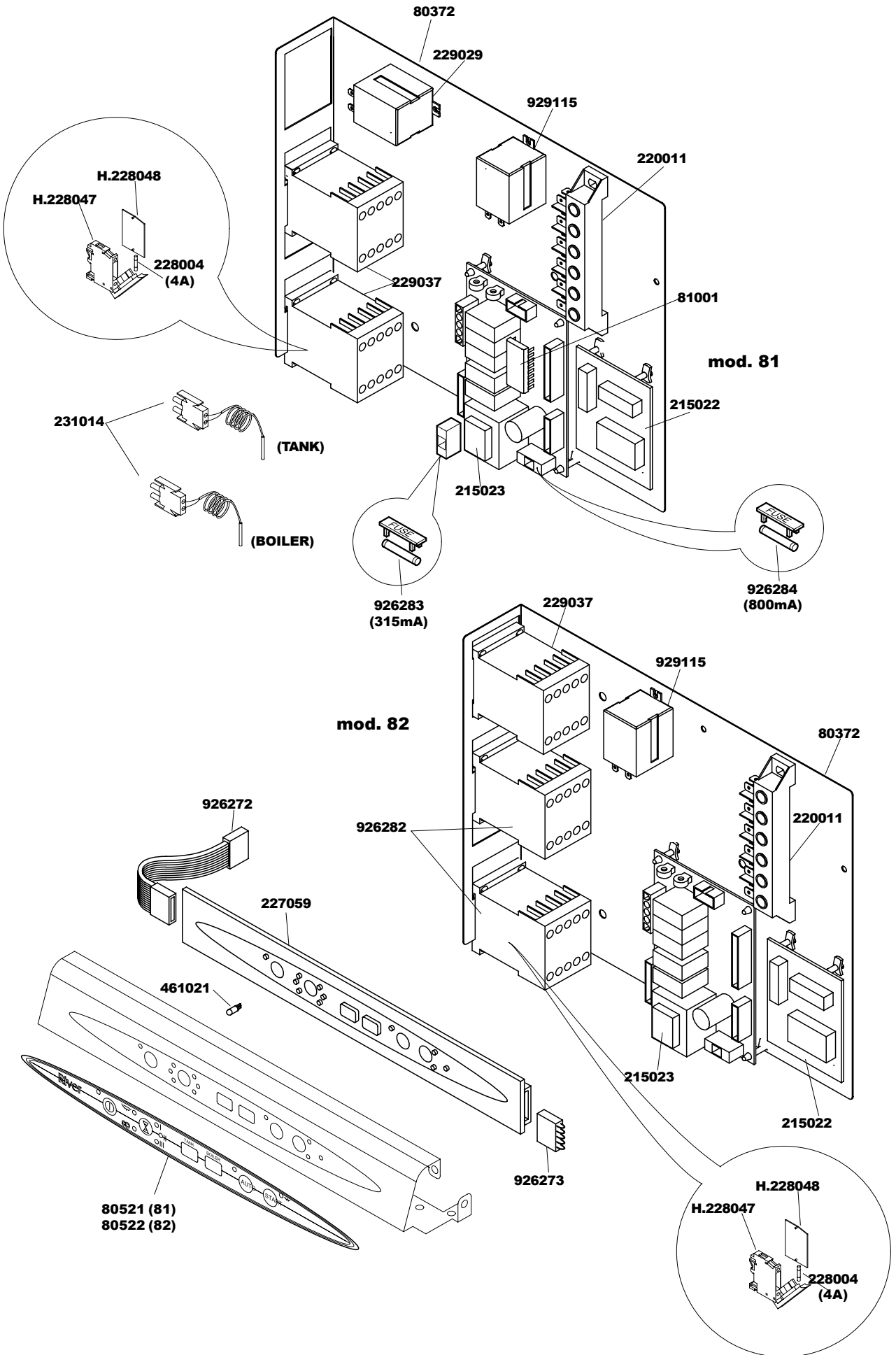
RIVER 81/82

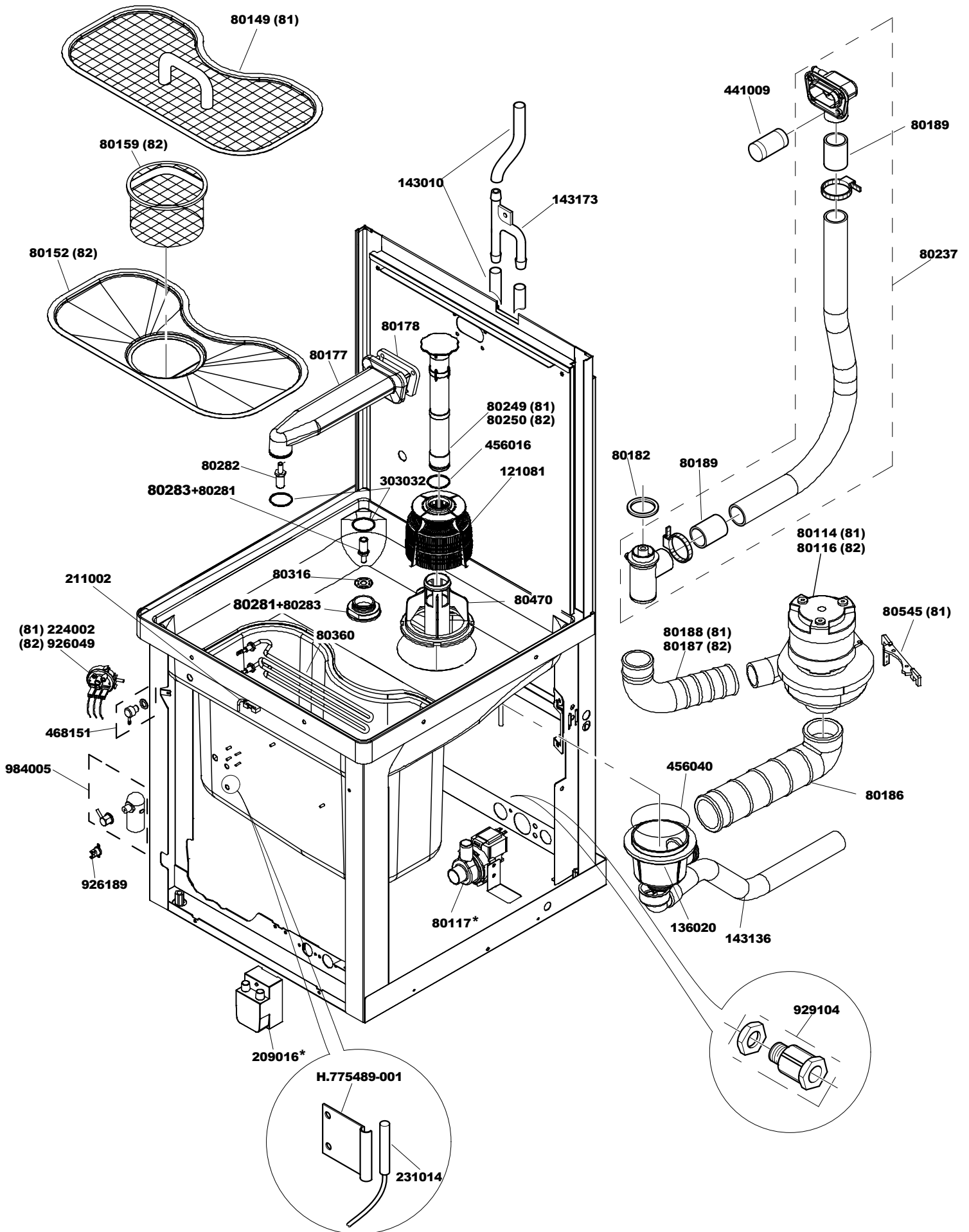
Tav. 1 – Machine Body
Tav. 2 – Electrical components
Tav. 3 – Components in the tank
Tav. 3A – Components in the tank
Tav. 4 – Wash arms – Rinsing
Tav. 5 – Wash pump
Tav. 6 – Wash pump
Tav. 7 – Rinse pump

Tab. 1 – Carrosserie
Tab. 2 – Installation électrique
Tab. 3 – Composants de cuve
Tab. 3A – Composants de cuve
Tab. 4 – Rampes de lavage Rinçage
Tab. 5 – Pompe lavage
Tab. 6 – Pompe lavage
Tab. 7 – Pompe Rinçage

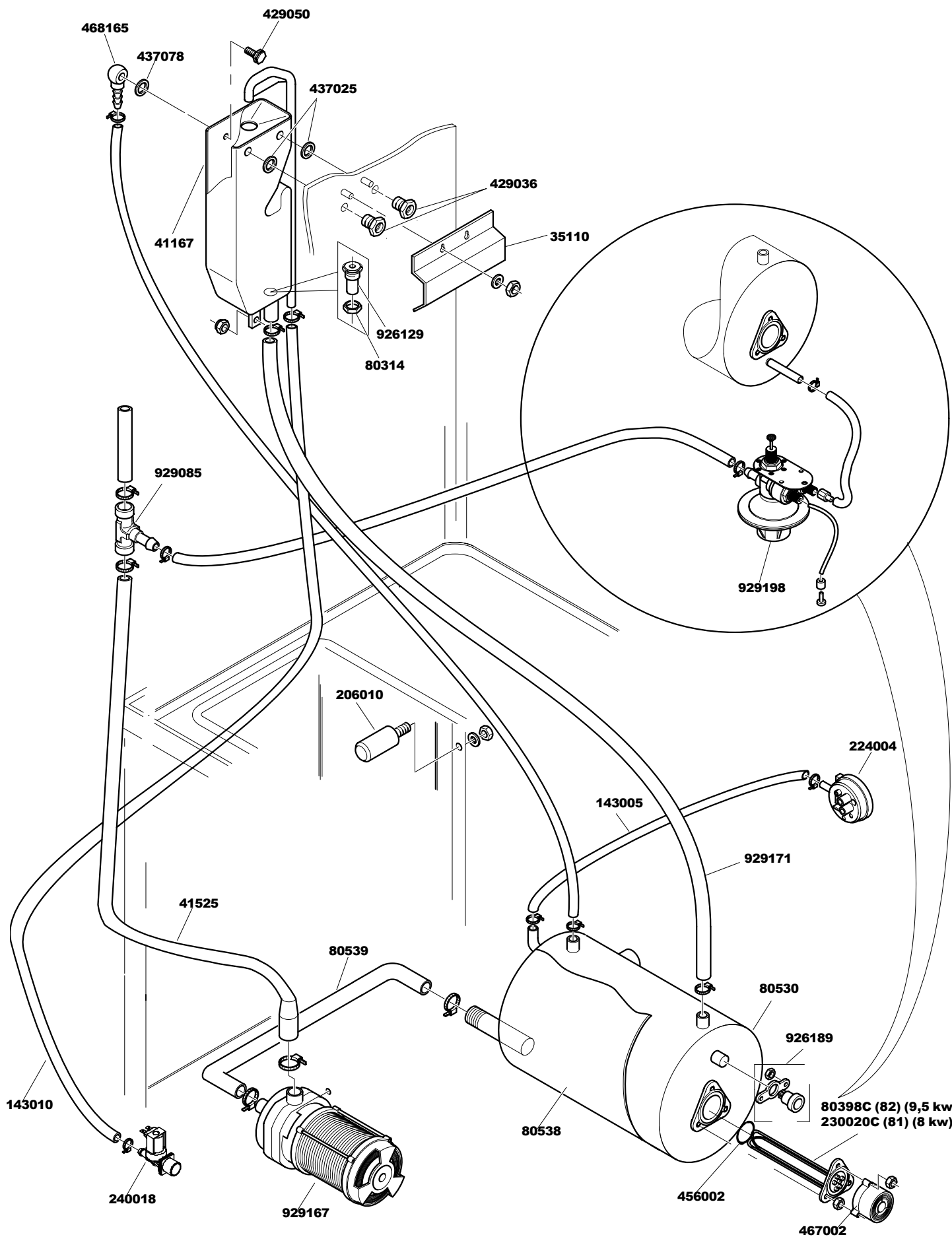


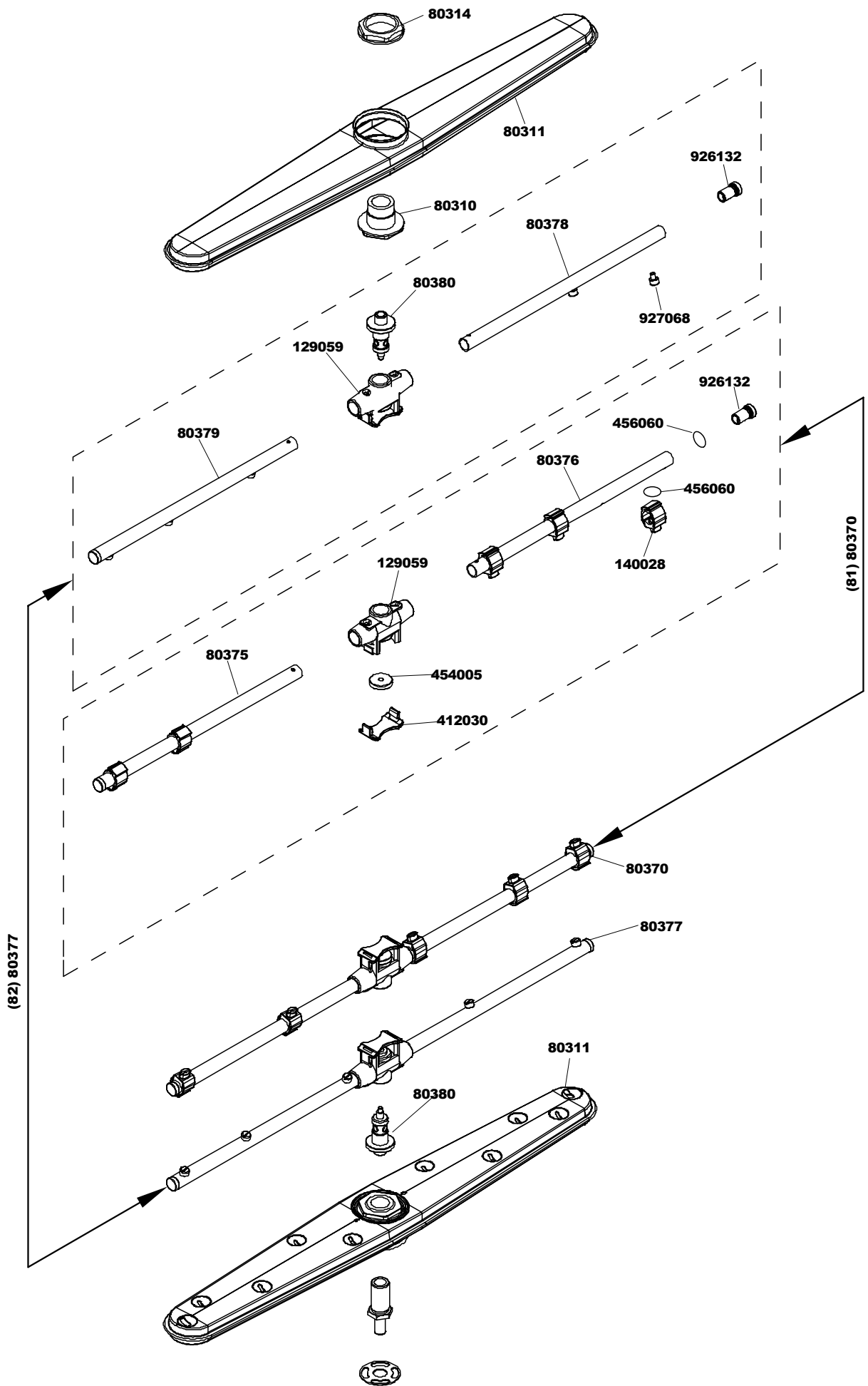
☐ (Coibentazione; Insulation)

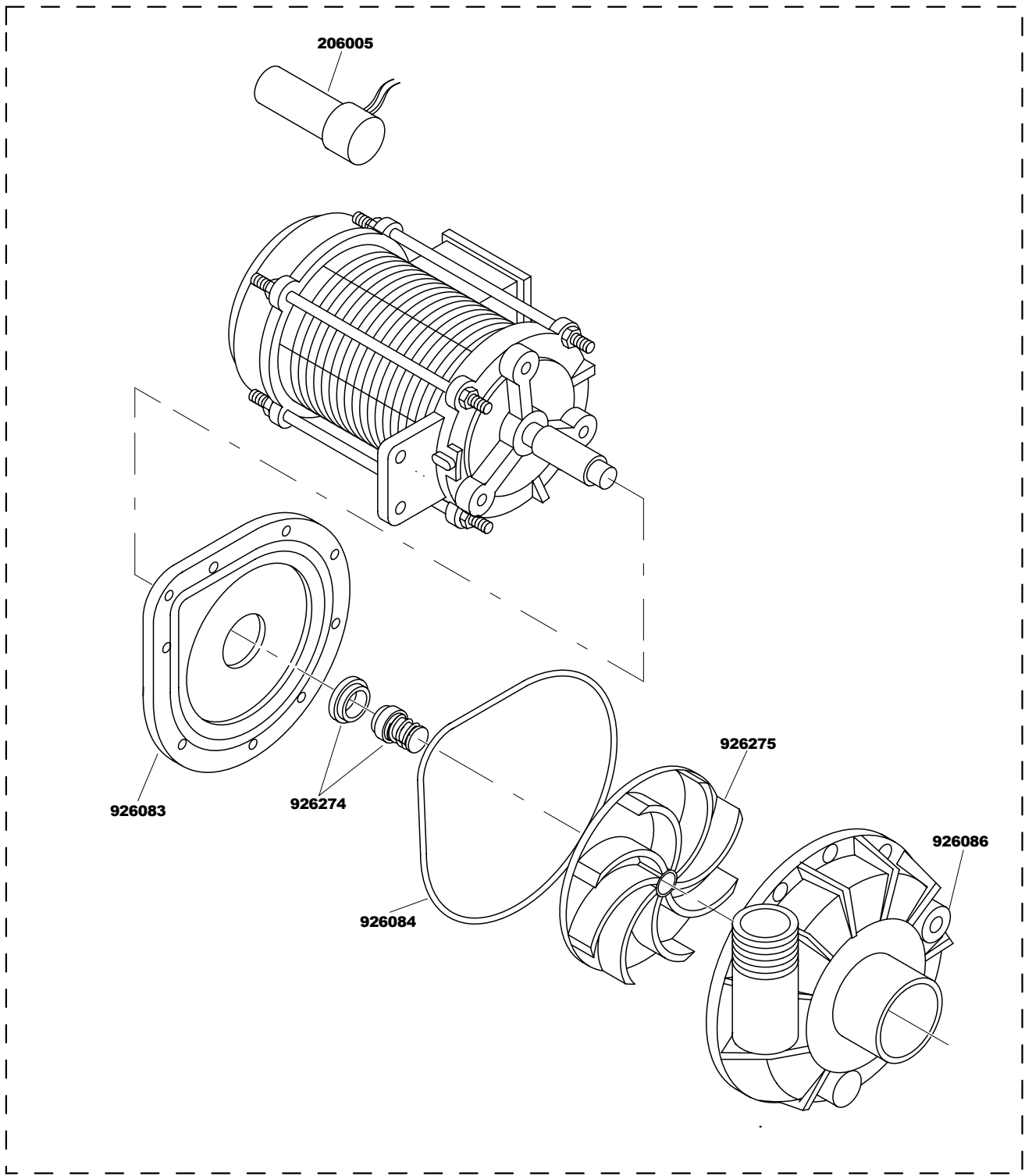




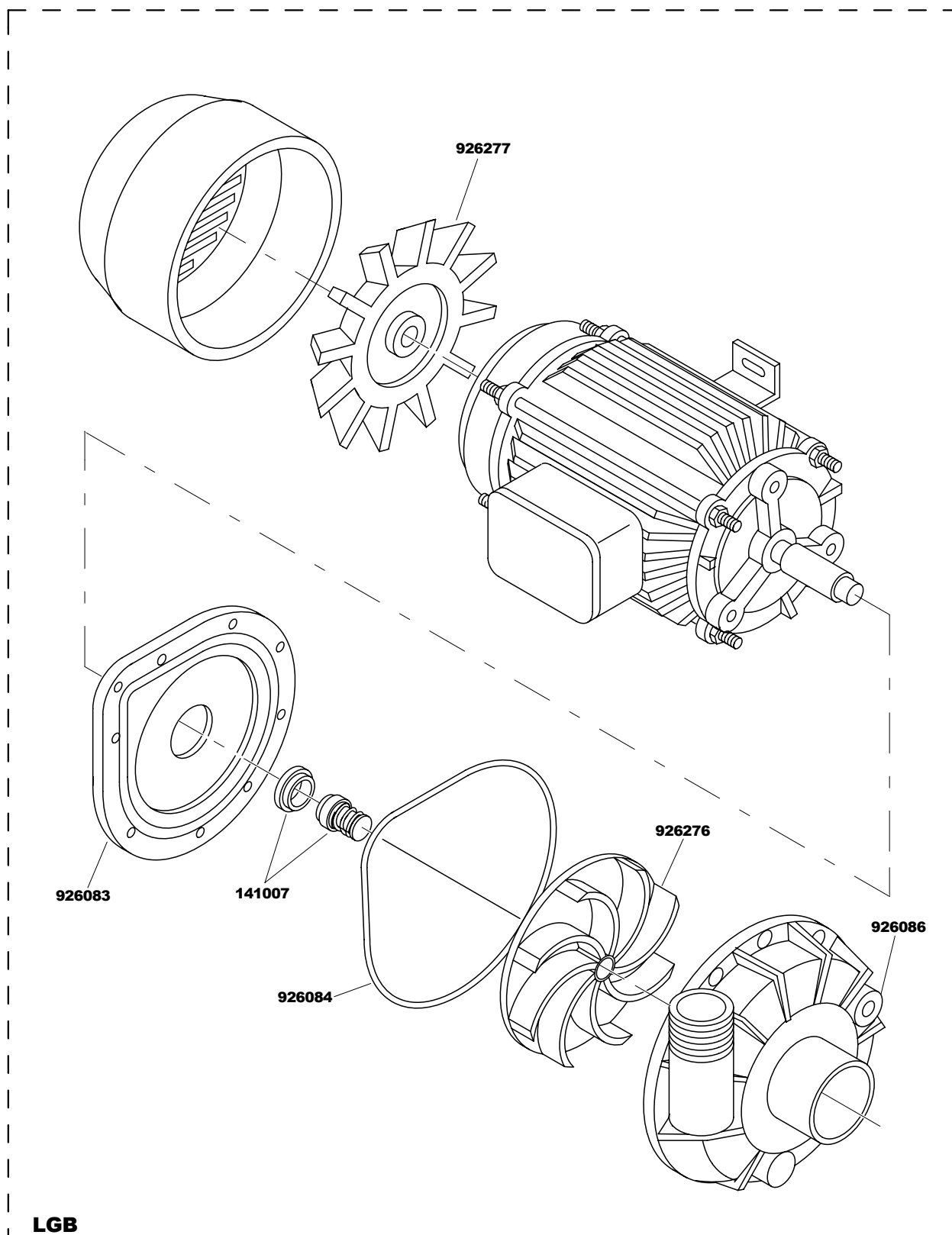
(*) Optional



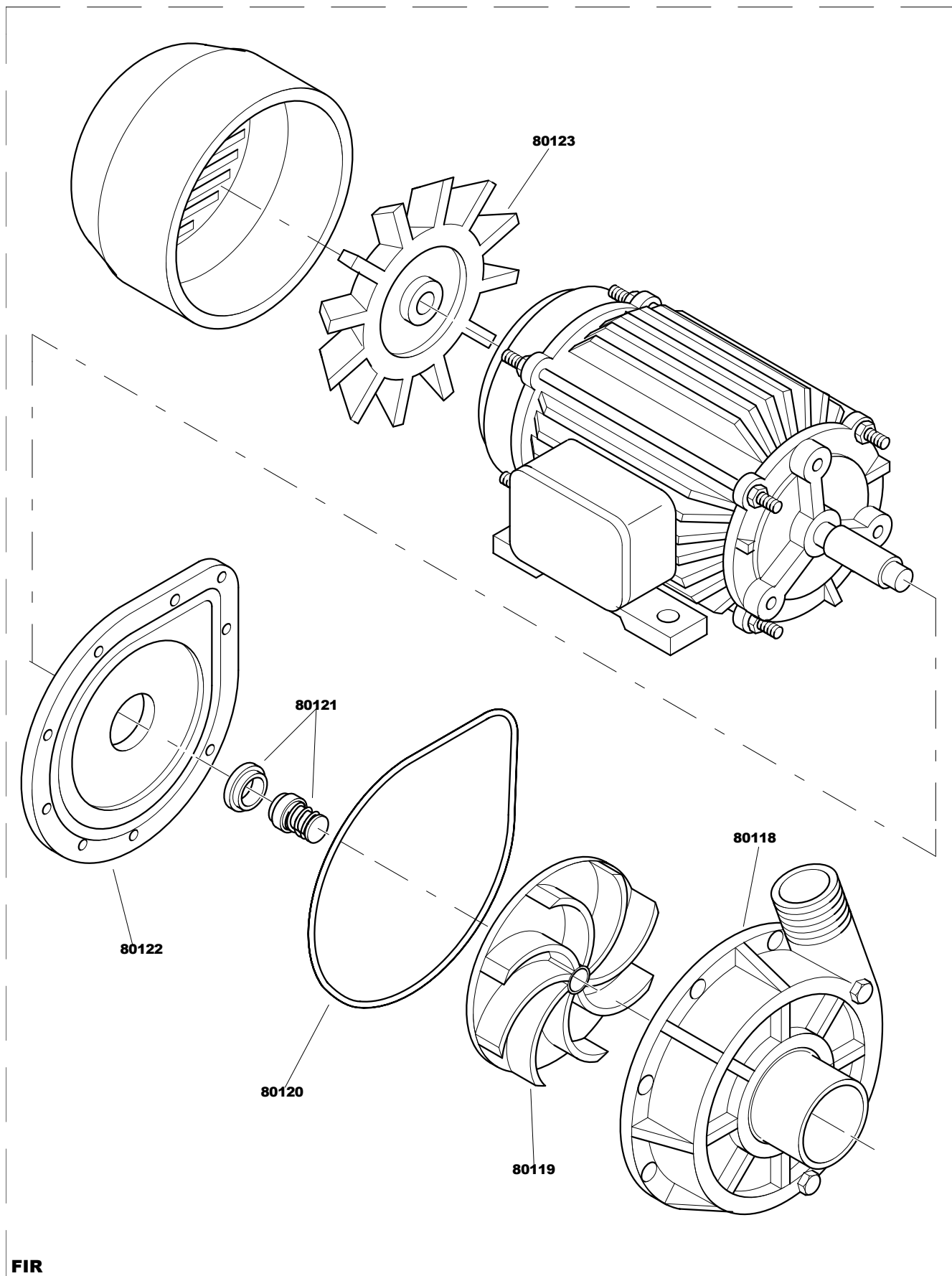




80114 (ZF522)
81



80116 (AM5225)
82



FIR

80115 (5295.4050)
82

