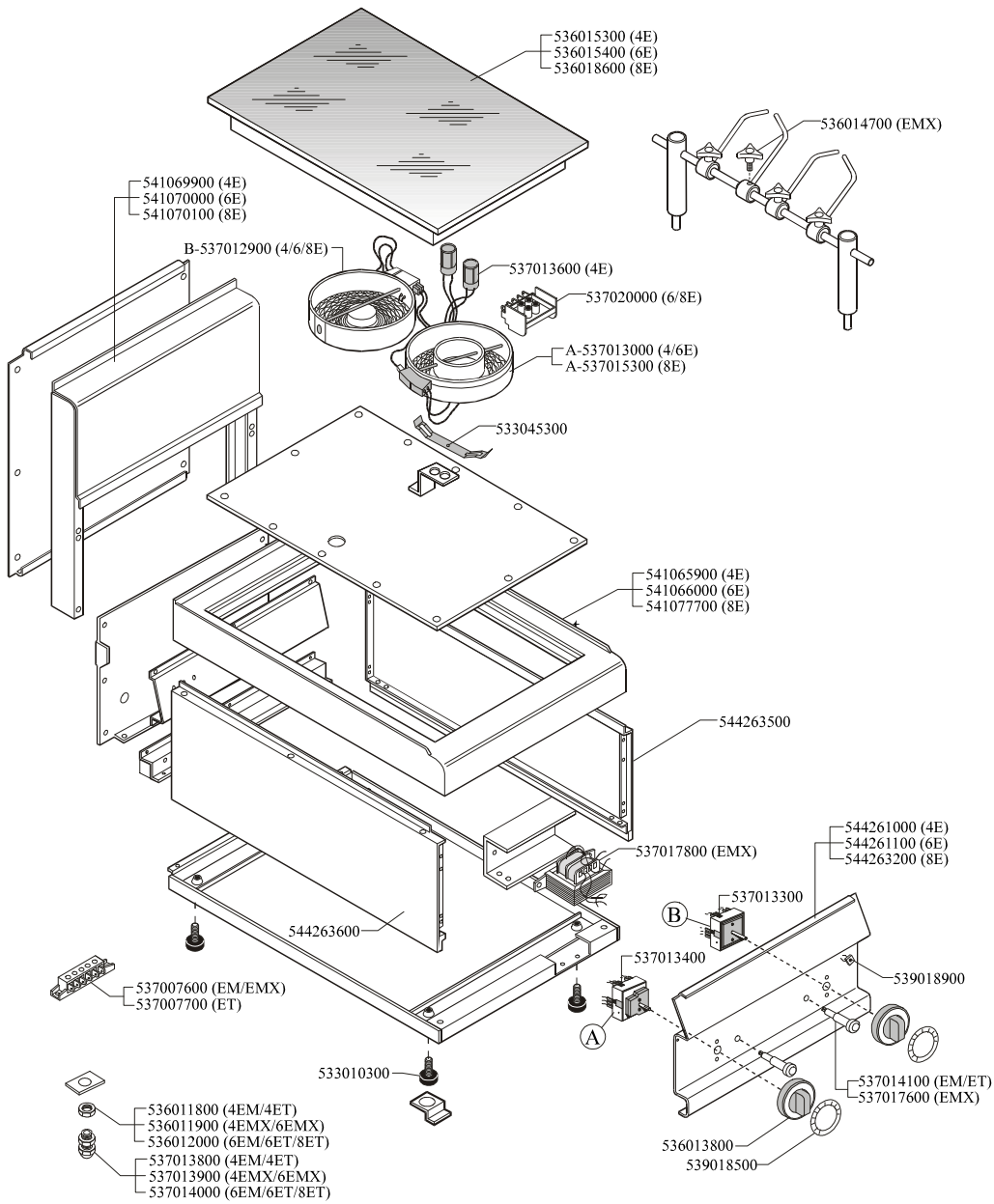


PCC-4EM PCC-4ET PCC-6EM PCC-6ET PCC-8ET



Page	Pos	Code	Description
001		536018600	CERAMIC SHEET COMPLETE+FRAME PCC-8E
001		541070100	NEUTRAL SPACER 8
001		B-537012900	ELECTRICAL PLATE 1800W 230W PCC-65
001		537020000	REMAINING HEAT 4 PILOT LIGHTS UNIT
001		A-537015300	ELECTRICAL PLAT DOUBLE CIRCUIT
001		533045300	PLATE SPRING PCC
001		541077700	UPPER PLATE PCC-8E
001		544263500	RIGHT SIDE S.65
001		544263200	CONTROL PANEL PC/PCC-8E
001		537013300	CURRENT REGULATOR FOR ELEC. PLATE
001		537013400	CURRENT REG. FOR DOUBLE ELEC. PLATE
001		539018900	INDEX FOR KNOB
001		537014100	WHITE WARNING LIGHT 250V
001		536013800	KNOB D.70 BLACK 6*5 WITH SPRING
001		539018500	ADHESIVE GRADUATED DISC FOR KNOB
001		533010300	ADJUSTABLE FOOT M10*20 D.23
001		544263600	LEFT SIDE S.65
001		537007700	TERMINAL BLOCK THREEPHASE 40A
001		536012000	HEXAGONAL LOCK NUT PG-21
001		537014000	CABLE SECURING CLAMP PG-21