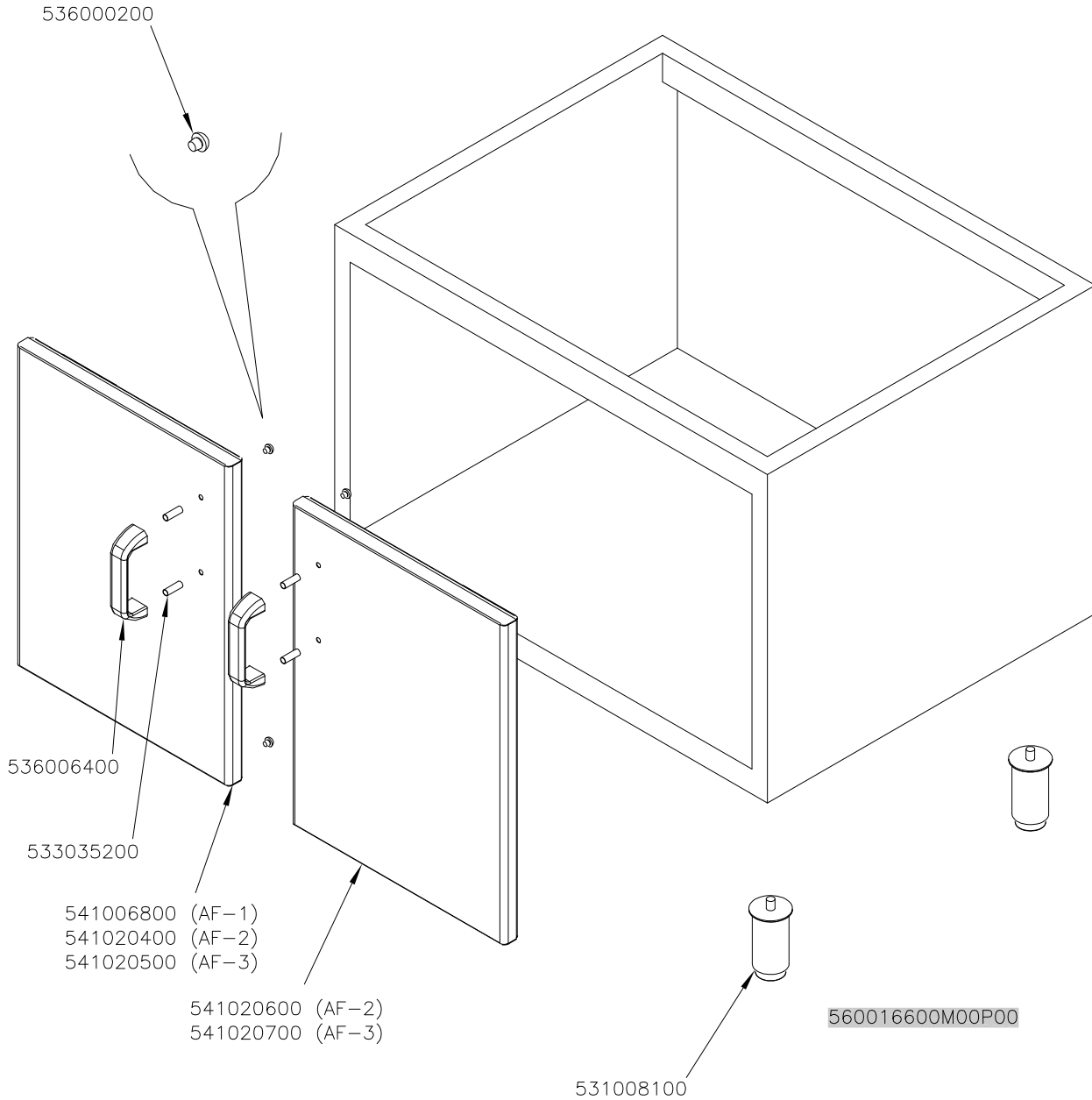


AF-1 AF-2 AF-3



Page	Pos	Code	Description
001		536000200	D.12 H.4 BUMPER
001		536006400	BLACK HANDLE 65/FE/FG
001		533035200	
001		541006800	LHD DOOR AF-1
001		531008100	ADJUSTABLE LEG H9 CHROME