

www.atasrl.com

Modello  
Modello  
Modello  
Modello

**AT 950**

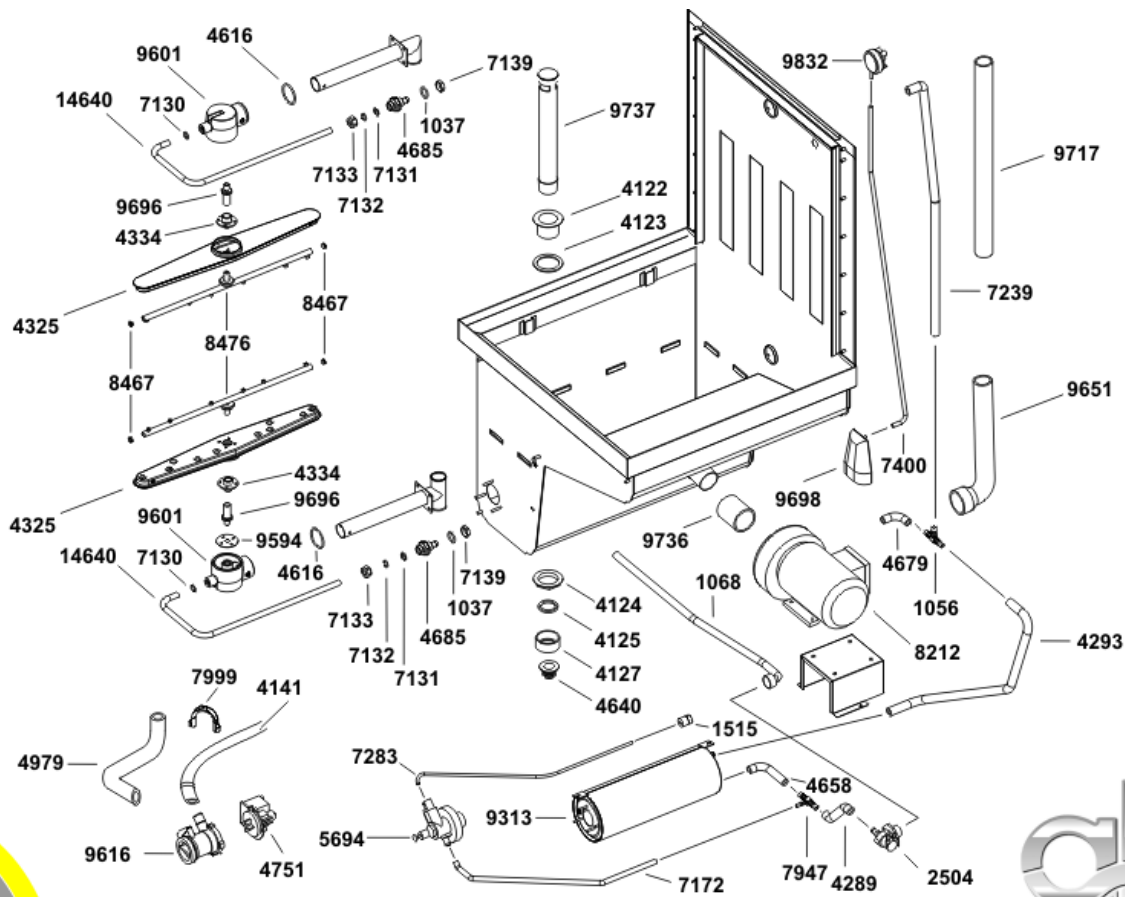
Dis. n° EM.AT.048

Data: 01/01/16



Professional dishwashers

A.T.A. S.R.L. 35026 CONSELVE (PD) ITALY VIALE DEL PROGRESSO 20 - Z. I. PHONE 049/9500555 (4 LINEE R.A.) FAX 049/9500560



www.atasrl.com

Modello  
Modelle  
Model  
Modell

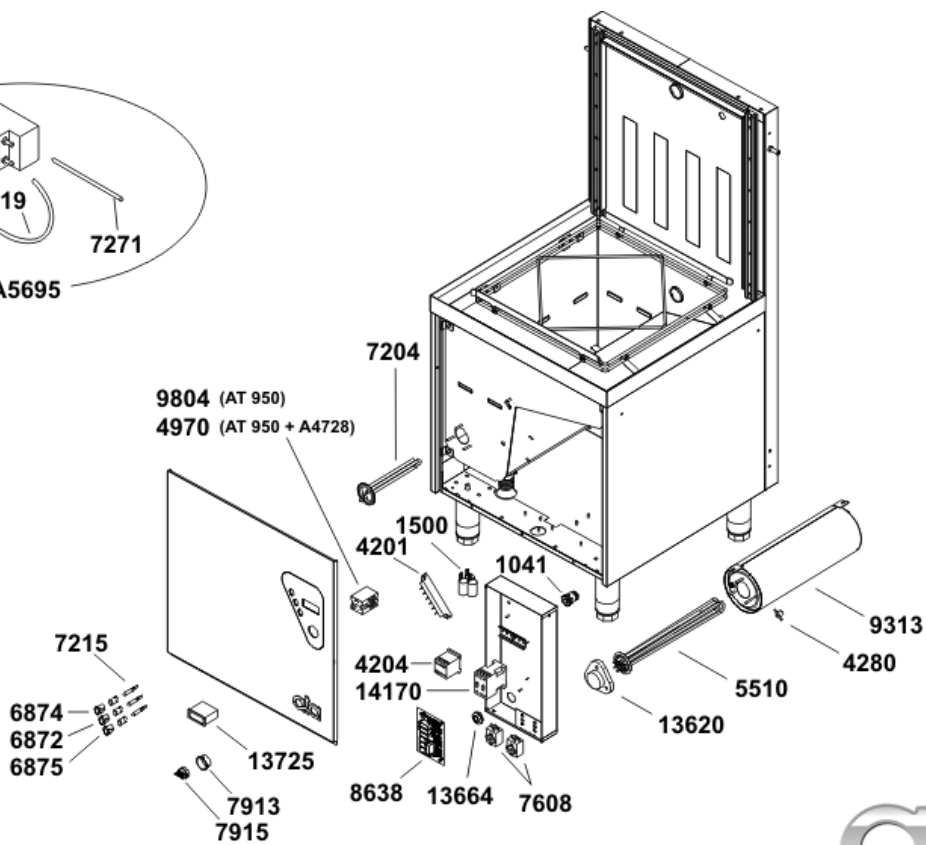
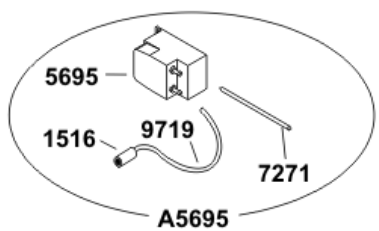
**AT 950 / 1200 + A4728**

Dis. n° EI.AT.050

Data: 01/01/16



A.T.A. S.R.L. 35026 CONSELVE (PD) ITALY VIALE DEL PROGRESSO 20 - Z. I. PHONE 049/9500555 (4 LINEE R.A.) FAX 049/9500560



www.atasrl.com

Modello  
Modello  
Modello  
Modello

# AT 950

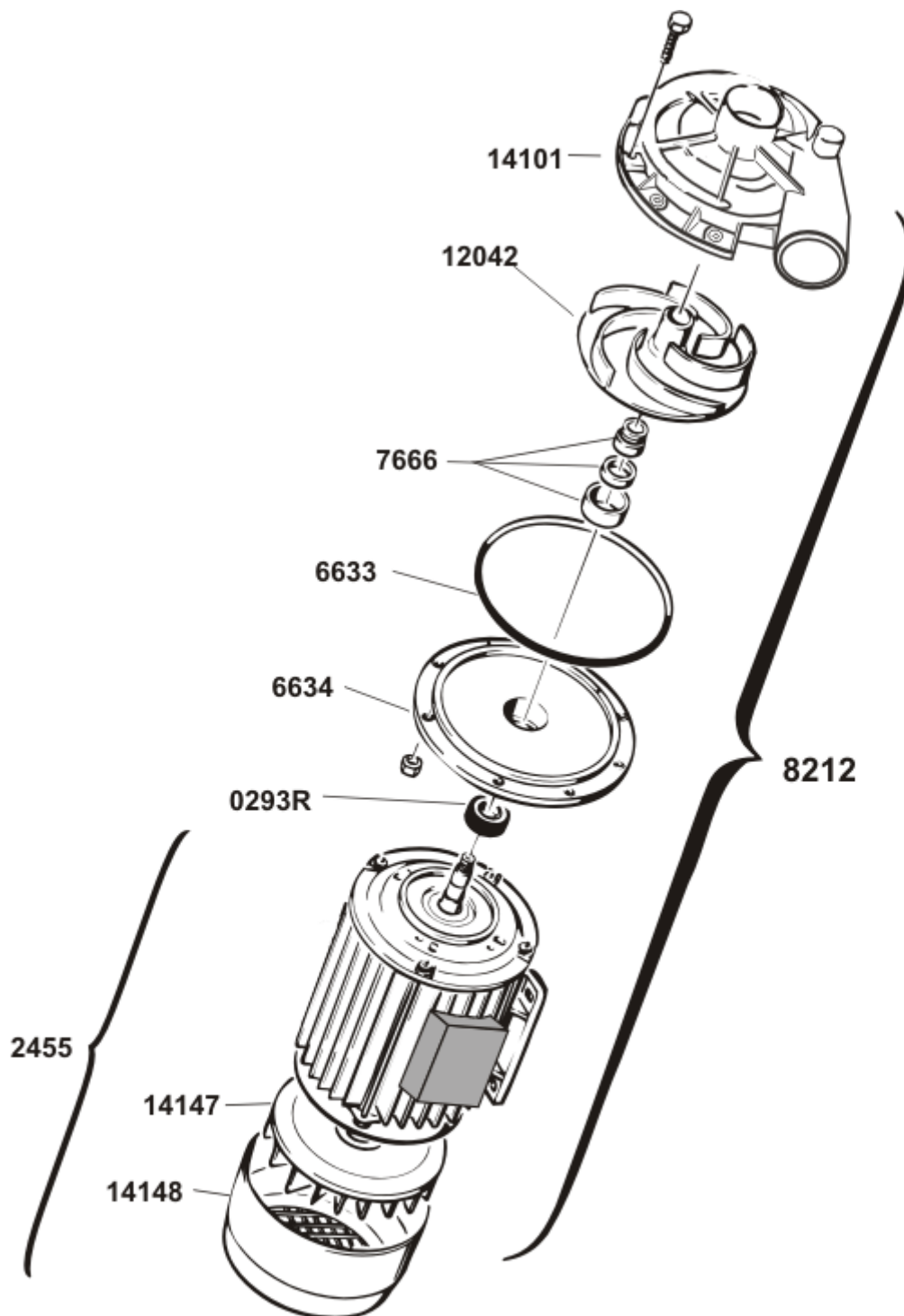
Dis. n° EE.AT.051

Data: 01/01/16



Professional dishwashers

A.T.A. S.R.L. 35026 CONSELVE (PD) ITALY VIALE DEL PROGRESSO 20 - Z. I. PHONE 049/9500555 (4 LINEE R.A.) FAX 049/9500560



Modelo  
Modèle  
Model  
Model

### ELETTROPOMPA 0.95 kW

Dis. N °EE.P045

Data: 01-01-08



A.T.A. S.R.L. 35026 CONSELVE (PD) ITALY VIALE DEL PROGRESSO 20 - Z. I. PHONE 049/9500555 (4 LINEE R.A.) FAX 049/9500560