



**Heißluftöfen & Snackgeräte
Mikrowellen**

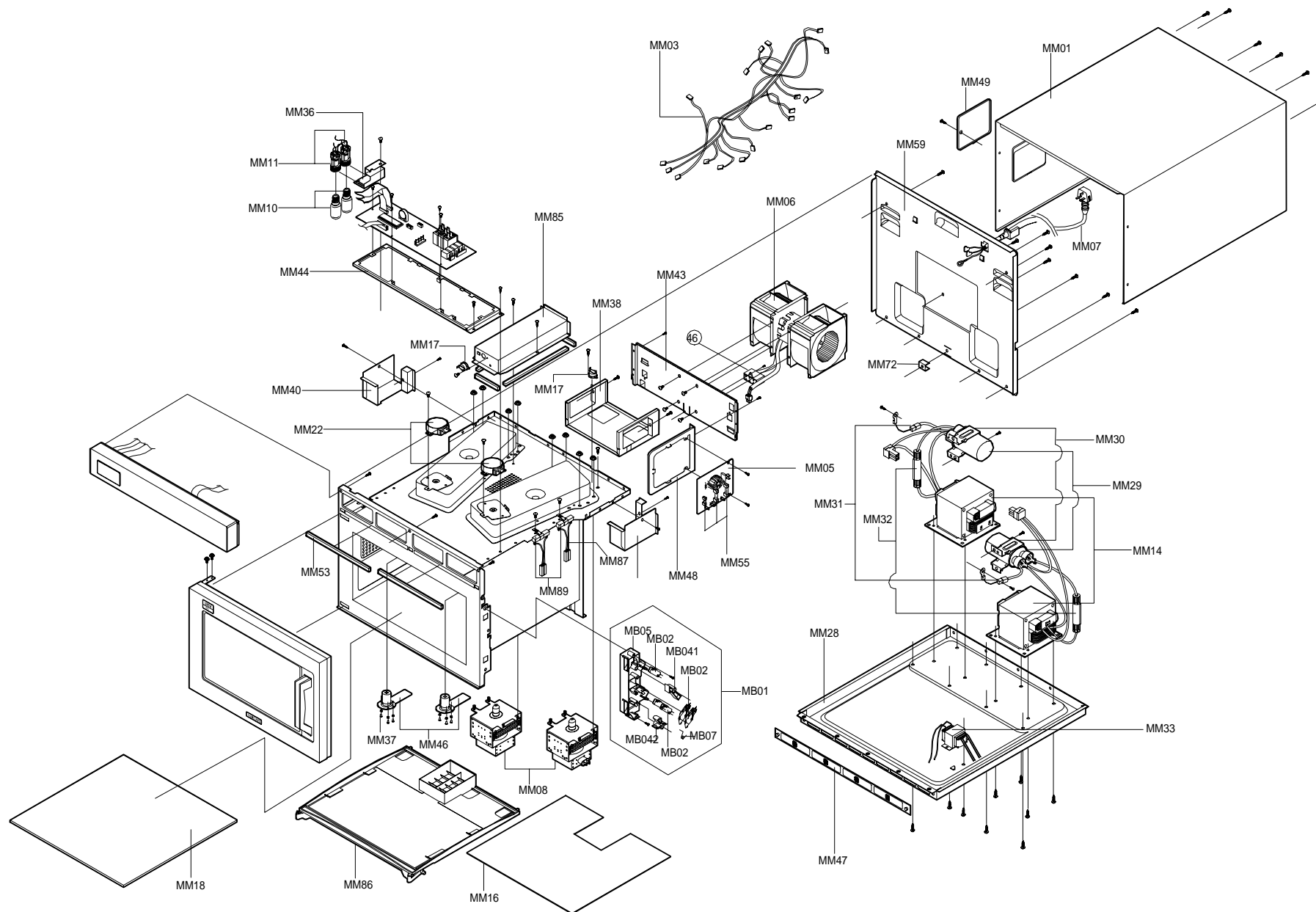
Artikel-Nr. 213024 (CM 1919 A)

Explosionszeichnung / Ersatzteile

Bitte bei Ersatzteilbestellung immer Seriennummer mit angeben!

7. Exploded Views and Parts List

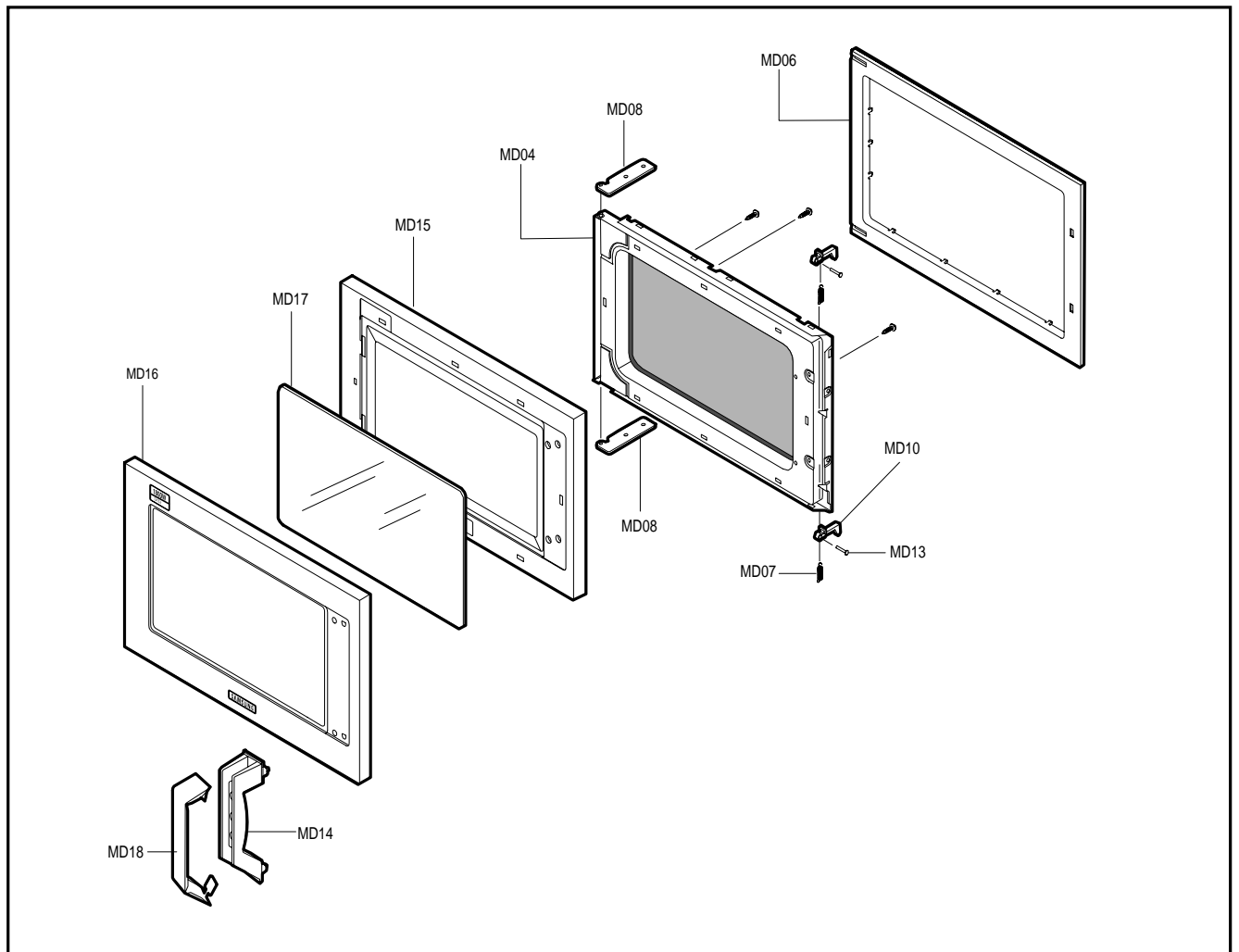
7-1 Exploded Views



7-2 Main Parts List

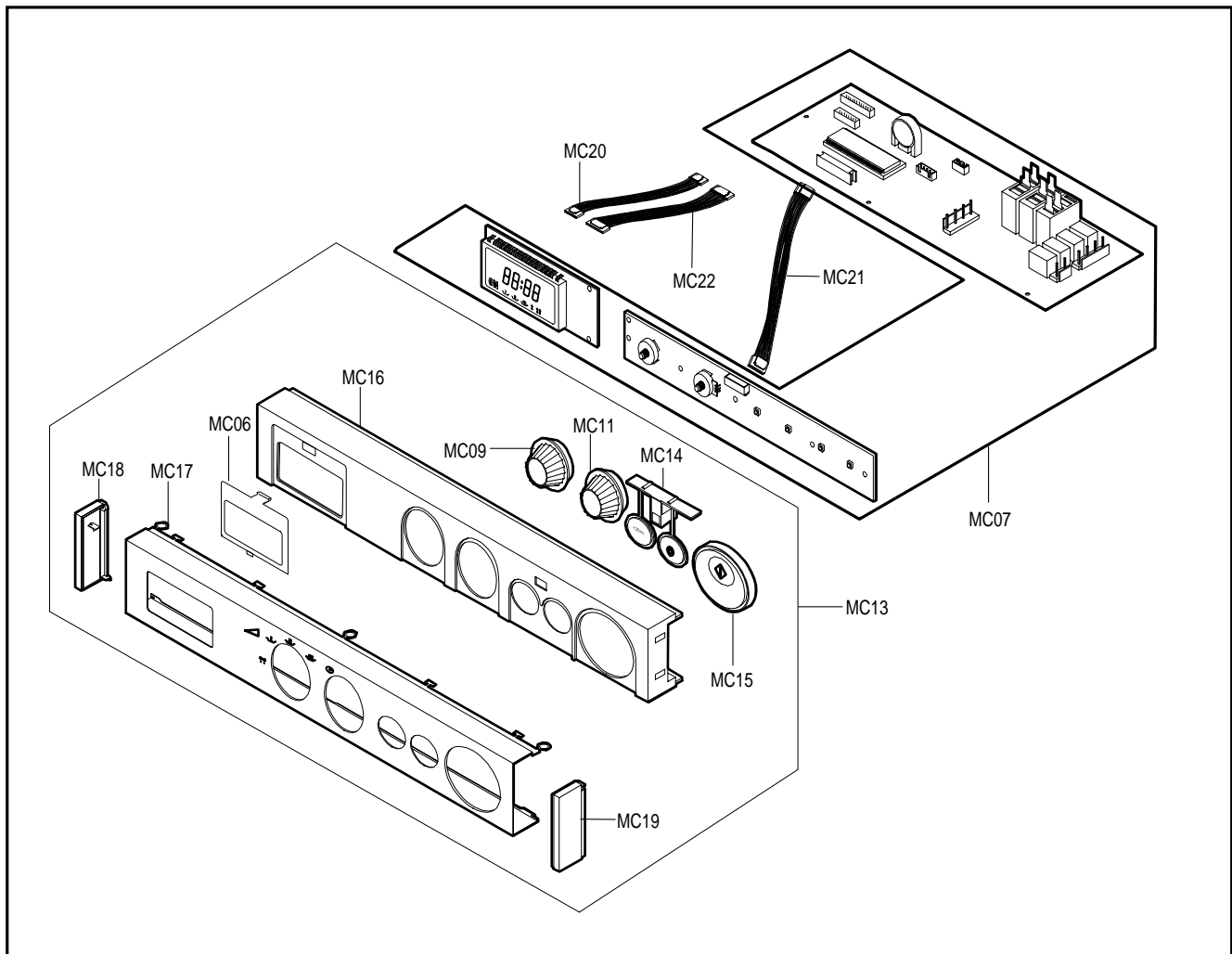
No.	Code No.	Description	Specification	Q'ty	Remark
MB01	DE93-20097E	ASSY BODY LATCH	CM1819/1829,EUROPE	1	
MB02	3405-000175	SWITCH-MICRO	250V,15A,200gf,SPST-NO	2	
MB02	3405-000178	SWITCH-MICRO	250V,15A,200gf,SPST-NO	1	
MB02	3405-001055	SWITCH-MICRO	125/250VAC,16A,200GF,SPST-N	2	
MB041	DE66-90107A	LEVER-SWITCH/U	PBT,CM-1819,-,-,-,-,-	1	
MB042	DE66-90108A	LEVER-SWITCH/L	PBT,CM-1819,-,-,-,-,-	1	
MB05	DE66-40062A	LATCH-BODY	-,-,-,-,-,-,-	1	
MB07	DE61-00066A	SPRING-Q	CM1819/1829,MSWR,PI0.8,-,-,-,-,-	1	
MM01	DE70-30123A	PANEL-OUTER	-,STS430,T0.6,CM-1819,-,-,-,-	1	
MM03	DE39-00025A	WIRE HARNESS-A	-,-,-,-,CM1819	1	
MM05	DE91-40105A	ASSY NOISE FILTER	SN-1829,230V/50Hz,-,-,-	1	
MM06	DE91-50093B	ASSY-MOTOR FAN	CM1419/29,240V,2250rpm,CM	1	CM1319/29
MM06	DE91-50093A	ASSY-MOTOR FAN	CM1819/29,240V,2250rpm,CM1819/	1	CM1619/29
MM06	DE91-50093L	ASSY-MOTOR FAN	240V,2250RPM,CM1929/1919,COM	1	CM1919/29
MM07	DE96-00180A	ASSY-POWER CORD	CM1929/XEU,230V50HZ,UK,U	1	
MM08	DE03-00009A	MAGNETRON	2M244-M12E,1KW/2460MHZ,3.15V/4	2	
MM102	DE63-90062D	CUSHION-HVT	CK95,EPDM,EPDM,T18,W30,L50,-	2	
MM11	DE47-40029A	SOCKET-LAMP	250V2A,22.23,E14,BJB,-,-,-	2	
MM114	6011-001140	BOLT-STUD	M4,L8,Ni PLT,BSW	2	
MM129	DE39-00032A	LEAD WIRE-R CEMENT	-,-,-,-,CM1819/29,47J	1	
MM14	DE26-00058A	TRANS-H.V	SHV-906BG1,230/240V,50HZ,2425V	2	
MM17	DE47-20017A	THERMOSTAT	PW-2N(150/60,187Z),250V/7.5A,	1	
MM17	DE47-20169A	THERMOSTAT	PW-2N(100/60,H,23.8,250V/7.5A	1	
MM18	DE92-90488A	ASSY-TRAY CERAMIC	CM-1819,-,-,-,-,-	1	
MM22	DE31-10164B	MOTOR-SYNCHRONOUS	M2CK34A709-H(B),120V60	2	
MM25	6502-001081	CABLE CLAMP	DAWH-3NA,ID11.5,-,NYLON6/6,N	1	
MM28	DE80-10113C	BASE-PLATE	CM1819,SECC1,-,-,-,-,-	1	
MM29	2501-001018	C-OIL	800nF,2100V,BK,35X54X70,20mm	2	CM1319/29
MM29	2501-001015	C-OIL	1.0uF,2100V,BK,35X54X80,20mm	2	CM1619/29
MM29	2501-001019	C-OIL	1.10uF,2100V,BK,35X54X90,20mm	2	CM1919/29
MM30	DE61-50120A	BRACKET-HVC	-,SECC,T0.5,W62,L72,-,-	2	
MM31	DE59-40001A	DIODE-H.V	HVR-1X-32B-12,-,-,-,-,-	2	CM1319/29
MM31	DE91-70063A	ASSY-HVD	V2M6,PI9.0,0.05MT,-,-,-	2	CM1619/29/CM1919/29
MM32	DE91-70061C	ASSY-H.V.FUSE	THV060T-0700-H,5KV/0.70A,B	2	CM1319/29
MM32	DE91-70061A	ASSY-H.V.FUSE	THV060T-0800-H,5KV/0.80A,WHT	2	CM1619/29/CM1919/29
MM33	DE26-20162A	TRANS-L.V	SLV-1829E,230,19.7/3.1V,50Hz,4	1	
MM36	DE61-90318A	HOLDER-LAMP	W134,SECC,-,W134,L40.5,-,L40	1	
MM37	DE69-90054A	CLIP-STIRRER	5mm,PFA,CM1819/29,-,	6	
MM38	DE72-50088A	DUCT-FAN	-,ALCOAT,T0.5,CM-1819,-,-,-	1	
MM39	DE72-50089A	DUCT-MGT/R	-,SECC,T0.5,CM-1819,-,-,-	1	
MM40	DE72-50090A	DUCT-MGT/L	CM-1819,SECC,T0.5,-,-,-,-	1	
MM41	2301-001204	C-FILM,PEF	1.50uF,-5to+10%,450VAC,-,48x1	1	
MM44	DE61-50520A	BRACKET-PCB	-,SECC,T0.8,CM-1819,-,-,-	1	
MM46	DE92-90515A	ASSY-STIRRER	CM-1819,CM-1829,-,-,-,-	2	
MM47	DE92-90516B	ASSY-BRACKET FILTER	CM1819,-,-,-,-,-	1	
MM48	DE61-50568A	BRACKET-SUPPORT	-,SECC/ALCOAT,T0.6,W100,	1	
MM51	DE63-90190B	CUSHION-LAMP	CM1819/29,PUT-FOAM,T7.0,W10	1	
MM53	DE01-00095A	FILM-LAMP	-,PET,-,84,T0.15,114,CM-1819,-	1	
MM55	3601-001126	FUSE-CARTRIDGE	250V,1.6A,FAST-ACTING,CER	1	
MM55	3601-000448	FUSE-CARTRIDGE	250V,10A,SLOW-BLOW,CERAMI	2	
MM59	DE71-60421A	COVER-BACK	-,SECC,T0.6,W481.8,L363.9,-,C	1	
MM72	DE61-50541A	BRACKET-EARTH	-,SGCC2,T1.0,W15,L8,-,-	1	
MM85	DE72-50091A	DUCT-OVEN	-,STS430,T0.4,CM-1819,-,-,-	1	
MM86	DE71-00170A	COVER-STIRRER	CM1829,PEI+PC,T2.5,-,-,-,-	1	
MM87	DE93-90112B	ASSY-B/RESISTOR	10W LB-TYPE 150HM,187 TA	2	
MM88	DE73-90027A	FERRITE-CORE	NI-ZN,T13.8,W21.0,L28.0,BNF	2	H.V.T

7-3 Door Parts List



No.	Code No.	Description	Specification	Q'ty	Remark
MD01	DE92-40195A	ASSY DOOR	CM-1819,STS,1800W,-,-,-,-	1	
MD03	DE67-20176A	SCREEN-DOOR(A)	-,T3.2,CM-1819,-,-,-,-,-	1	
MD04	DE92-50132B	ASSY DOOR-E	CM-1819,COATING,BLK	1	
MD04	DE92-50132A	ASSY DOOR-E	CM1819,WELDING,-	1	
MD06	DE64-40298A	DOOR-C	-,PP,-,-,-,-,-,-	1	
MD07	DE61-70144A	SPRING-KEY	-,Y745STC,S7A77,D0.8,D0.8,-,-	2	
MD08	DE61-80138A	HINGE	-,SHV-945EG1,KEC,T3.0,W24.5,L29.5,	2	
MD10	DE64-40296A	DOOR-KEY	-,CR3C,-,-,-,-,-,-	2	
MD13	DE60-60080A	PIN-KEY	A,M3.95,L21,STS304,-,CM-1819,-	2	DOOR-E
MD14	DE64-20123A	HANDLE	CM-1819,ZN-DICASTING,-,-,-,-,CM-1	1	
MD15	DE64-90145A	DECORATION-DOOR	-,ABS,CM-1819,-,-,-,-,CM-1	1	
MD16	DE64-90146A	DECORATION-COV/DOOR	-,STS,CM-1819,-,-,-,-	1	
MD17	DE67-20174A	SCREEN-DOOR(B)	-,TEMP-GLASS,T3.2,-,-,-,-,-	1	
MD18	DE71-60433A	COVER-HANDLE	-,STS430,T0.5,CM-1819,-,-,-,-	1	
MD27	DE68-10043C	BADGE-BRAND	COMMERCIAL,-,-,-,-,TETRON,-,W9	1	

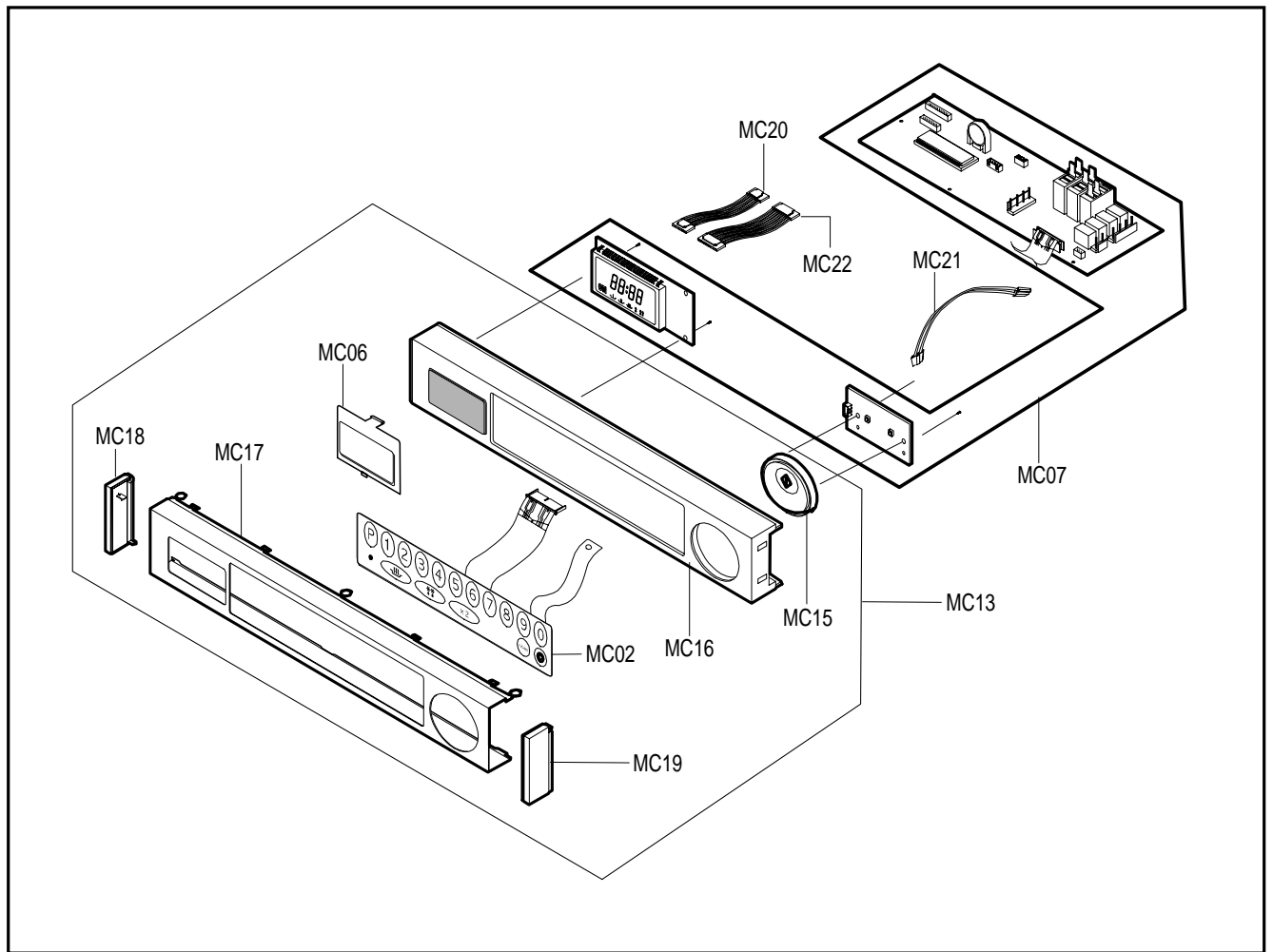
7-4 Control Box Parts List (CM1319/1619/1919)



No.	Code No.	Description	Specification	Q'ty	Remark
MC01		ASSY CONTROL-BOX		1	S.N.A
MC06	DE67-40161A	WINDOW-DISPLAY	-,RESIN-PMMA,82555,CM-181	1	
MC07	RC-CM1819VI-10	ASSY PCB PARTS	CM1219,230V50HZ	1	CM1319
MC07	RC-CM1819VI-02	ASSY PCB PARTS	CM1419,230V50HZ	1	CM1619
MC07	RC-CM1819VI-00	ASSY PCB PARTS	CM1819,230V50HZ	1	CM1919
MC09	DE64-10143A	KNOB-POWER	-,RESIN-ABS,-,-,-,Ni,Cr-pla	1	
MC11	DE64-10144A	KNOB-TIMER	-,RESIN-ABS,-,-,-,Ni,Cr-pla	1	
MC13	DE93-30528D	ASSY CONTROL-PANEL	-,CM1319,-,COMMERCIAL	1	
MC14	DE66-20211A	BUTTON-SELECT	-,Ni,Cr-plating,-,-,CM-1	1	
MC15	DE66-20212B	BUTTON-START	CM1929/XEU,ABS,-,-,PANTONE3	1	
MC16	DE70-30126A	PANEL-BASE	-,RESIN-ABS,ME,CM-1819,-,-,-,	1	
MC17	DE71-60427A	COVER-PANEL	-,STS430,T0.5,ME,CM-1829,-,-,	1	
MC18	DE71-60428B	COVER-PANEL/L	CM1019,ABS,-,-,-,-,CM101	1	
MC19	DE71-60429B	COVER-PANEL/R	CM1019,ABS,-,-,-,-,CM101	1	
MC44	DE71-60422A	COVER-LAMP	-,STS430,T0.6,CM-1819,-,-,-,-	1	

S.N.A : SERVICE NOT AVAILABLE

7-4 Control Box Parts List (CM1329/1629/1929)



No.	Code No.	Description	Specification	Q'ty	Remark
MC01		ASSY CONTROL-BOX		1	S.N.A
MC02	DE34-00158A	SWITCH MEMBRANE	CM1929/XEU,COMMERCIAL,-,	1	
MC06	DE67-40161A	WINDOW-DISPLAY	-,RESIN-PMMA,82555,CM-181	1	
MC07	RC-CM1819VI-11	ASSY PCB PARTS	CM1229,230V50HZ	1	CM1329
MC07	RC-CM1819VI-03	ASSY PCB PARTS	CM1429,230V50HZ	1	CM1629
MC07	RC-CM1819VI-01	ASSY PCB PARTS	CM1829,230V50HZ	1	CM1929
MC13	DE93-30529N	ASSY CONTROL-PANEL	-,CM1329,-,COMMERCIAL	1	
MC15	DE66-20212B	BUTTON-START	CM1929/XEU,ABS,-,-,PANTONE3	1	
MC16	DE70-30125A	PANEL-BASE	-,RESIN-ABS,TC,CM-1829,-,-,	1	
MC17	DE71-60426A	COVER-PANEL	-,STS430,T0.5,TC,CM-1829,-,-	1	
MC18	DE71-60428B	COVER-PANEL/L	CM1019,ABS,-,-,-,-,CM101	1	
MC19	DE71-60429B	COVER-PANEL/R	CM1019,ABS,-,-,-,-,CM101	1	
MC20	DE39-40694A	WIRE HARNESS-C	9PIN,-,-,-,-,-,-,-,-,-,	1	WIRE2
MC44	DE71-60422A	COVER-LAMP	-,STS430,T0.6,CM-1819,-,-,-,	1	

S.N.A : SERVICE NOT AVAILABLE

7-4 Standard Parts List

Code No.	Description	Specification	Q'ty	Remark
DE60-20014A	BOLT-FLANGE	M5,L10,MSWR3,FEFZY,-,-,-,-,-	4	-
6011-001140	BOLT-STUD	M4,L8,Ni PLT,BSW	2	-
DE60-30015A	NUT-FLANGE	M5,P0.8,MSWR10,FEFZY,-,-,-,-,-	8	MGT
DE60-10082H	SCREW-A	-,-,-,-,2S-4X12,TOOTHED,-,-,-,-,-	5	-
DE60-10098A	SCREW-ASSY TAP TITE	-,GLD,SWRCH18A,ZPC2,PH,TC,-,M4X8,WT,-	1	BKT-HIN-L
DE60-10098A	SCREW-ASSY TAP TITE	-,GLD,SWRCH18A,ZPC2,PH,TC,-,M4X8,WT,-	1	BKT-HIN-U
DE60-10098A	SCREW-ASSY TAP TITE	-,GLD,SWRCH18A,ZPC2,PH,TC,-,M4X8,WT,-	2	BKT-MOTOR
DE60-10098A	SCREW-ASSY TAP TITE	-,GLD,SWRCH18A,ZPC2,PH,TC,-,M4X8,WT,-	2	DUCT-FAN
DE60-10098A	SCREW-ASSY TAP TITE	-,GLD,SWRCH18A,ZPC2,PH,TC,-,M4X8,WT,-	1	DUCT-MGT-L
DE60-10098A	SCREW-ASSY TAP TITE	-,GLD,SWRCH18A,ZPC2,PH,TC,-,M4X8,WT,-	1	DUCT-MGT-R
DE60-10098A	SCREW-ASSY TAP TITE	-,GLD,SWRCH18A,ZPC2,PH,TC,-,M4X8,WT,-	4	-
DE60-10098A	SCREW-ASSY TAP TITE	-,GLD,SWRCH18A,ZPC2,PH,TC,-,M4X8,WT,-	2	HANDLE
DE60-10195A	SCREW-STAR POLE	-,SWCH18A,4,12,TH,*,-,2,ZNC,-	2	-
DE60-10196A	SCREW-TAP OH	-,MSWR18C,4,L8,OH+FH,+,-,-,Ni,-	3	BASE
DE60-10196A	SCREW-TAP OH	-,MSWR18C,4,L8,OH+FH,+,-,-,Ni,-	1	COVER-LAMP
DE60-10196A	SCREW-TAP OH	-,MSWR18C,4,L8,OH+FH,+,-,-,Ni,-	4	OUTPANEL
DE60-10088A	SCREW-TAP PH	-,FEFZY,PLAIN,PH,M3,-,L8,-,-	4	MAIN PCB
DE60-10046A	SCREW-TAP PH	-,FEFZY,-,PH,M3,-,L8,-,-	1	TCO-DUCT
DE60-10088A	SCREW-TAP PH	-,FEFZY,PLAIN,PH,M3,-,L8,-,-	2	-
DE60-10088A	SCREW-TAP PH	-,FEFZY,PLAIN,PH,M3,-,L8,-,-	7	PCB
DE60-10070A	SCREW-TAP TH	-,FEFZY,2-SLOT,TH,M4,-,L12,-,-	2	BODY-LATCH
DE60-10070A	SCREW-TAP TH	-,FEFZY,2-SLOT,TH,M4,-,L12,-,-	3	C-PANEL
DE60-10121A	SCREW-TAP TH	-,-(77128-540-081,SAYONG),2-4X8,FE,-,FZY,-,-	3	DECORATION
DE60-10012A	SCREW-TAP TITE	-,SWR10,M4,L10,TH,+,-,3,ZPC2,-	1	BACK-COVER
DE60-10012A	SCREW-TAP TITE	-,SWR10,M4,L10,TH,+,-,3,ZPC2,-	1	BKT-LAMP
DE60-10012A	SCREW-TAP TITE	-,SWR10,M4,L10,TH,+,-,3,ZPC2,-	1	LVT
DE60-10012A	SCREW-TAP TITE	-,SWR10,M4,L10,TH,+,-,3,ZPC2,-	1	P/C EARTH
DE60-10080A	SCREW-WASHER	-,,-,-,M5,L12,-,2S,-,-	8	HVT
DE60-10197A	SCREW-WASHER	-,MSWR18C,4,L12,TH(WASHER),+,-,-,Ni,-	8	BACK-COVER
DE60-10199A	SCREW-WASHER	-,MSWR18C,4,L10,TH(WASHER),+,-,-,NiCr,-	2	BKT-PCB
DE60-10199A	SCREW-WASHER	-,MSWR18C,4,L10,TH(WASHER),+,-,-,NiCr,-	2	C-RESISTOR
DE60-10199A	SCREW-WASHER	-,MSWR18C,4,L10,TH(WASHER),+,-,-,NiCr,-	4	CAVI-BACK
DE60-10199A	SCREW-WASHER	-,MSWR18C,4,L10,TH(WASHER),+,-,-,NiCr,-	1	DUCT-MGT-L
DE60-10199A	SCREW-WASHER	-,MSWR18C,4,L10,TH(WASHER),+,-,-,NiCr,-	1	DUCT-MGT-R
DE60-10199A	SCREW-WASHER	-,MSWR18C,4,L10,TH(WASHER),+,-,-,NiCr,-	2	DUCT-OVEN
DE60-10199A	SCREW-WASHER	-,MSWR18C,4,L10,TH(WASHER),+,-,-,NiCr,-	5	OUTPANEL
DE60-10199A	SCREW-WASHER	-,MSWR18C,4,L10,TH(WASHER),+,-,-,NiCr,-	2	SUP-FAN
DE60-10199A	SCREW-WASHER	-,MSWR18C,4,L10,TH(WASHER),+,-,-,NiCr,-	1	THERMISTOR