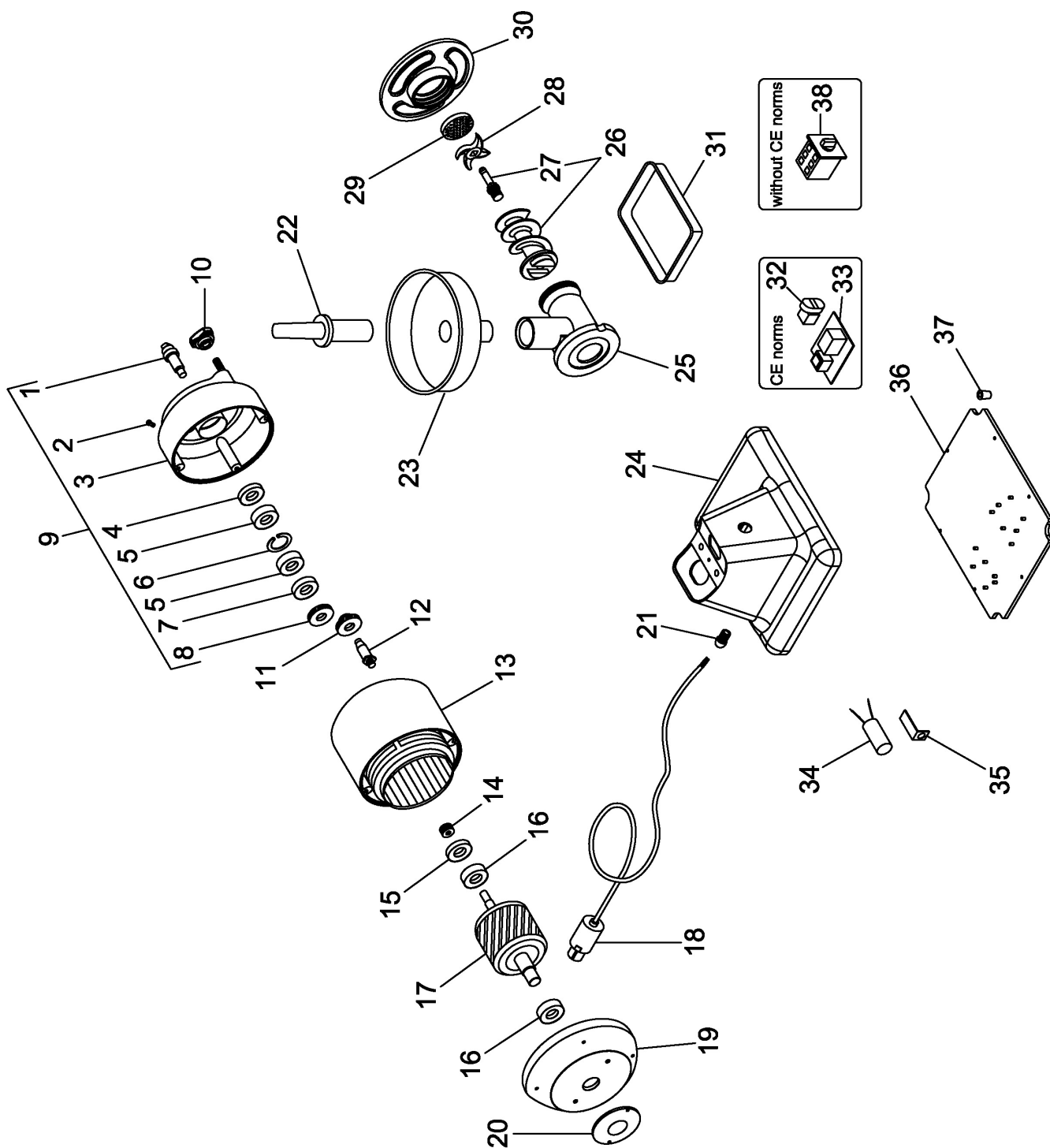


TR22TEQ0



TR22TEQ0

Pos. Ref.	Codice Code	Caratteristiche Features	Descrizione Description	
1	SL2528		Albero	Shaft
2	SL2917		Tappo	Tap
3	SL2526		Calotta	Calotte
4	SL2591	ø25xø47x8	Paraolio	Oil seal
5	SL3125	6204 2RS	Cuscinetto	Bearing
6	SL0082	ø47	Seeger	Seeger
7	SL2593	ø20xø47x8	Paraolio	Oil seal
8	SL0130		Ingranaggio	Gear
9	SA2200	Assembly	Calotta	Calotte
10	SL2924	●	Pomello	Knob
11	SL0125		Ingranaggio	Gear
12	SL2589		Albero	Shaft
13	SA1016	400V/3Ph/50Hz	Statore	Stator
13	SA1017	230V/1Ph/50Hz	Statore	Stator
14	SL0128		Ingranaggio	Gear
15	SL0127	ø17xø40x8	Paraolio	Oil seal
16	SL0131	6203 2RS	Cuscinetto	Bearing
17	SL2600	400V/3Ph/50Hz	Rotore	Rotor
17	SL2601	230V/1Ph/50Hz	Rotore	Rotor
18	SL1841	3Ph+Gnd	Cavo elettrico	Electric cable
18	SL1671	1Ph+N+Gnd	Cavo elettrico	Electric cable
19	SL0186		Calotta	Calotte
20	SL2833		Coperchio	Cover
21	SL1668	PG11	Pressacavo	Cable clamp
22	SL0134	●	Pestello	Pusher
23	SL0136		Tramoggia	Hopper
24	SL2566		Base	Base
25	SL3986	Stainless-steel	Bocchettone	Sleeve
25	SL2523R0	Food stuff treated cast-iron (without CE norms)	Bocchettone	Sleeve
25	SL3987	Unger	Bocchettone	Sleeve
26	SA5500	● Stainless-steel	Elica	Screw shaft
26	SA5400	Food stuff treated cast-iron (without CE norms)	Elica	Screw shaft
26	SA5700	Unger	Elica	Screw shaft
27	SL0823		Perno	Pivot
27	SL0824	Unger	Perno	Pivot
28	//////////	●	Coltello	Cutter
29	//////////	●	Piastra	Plate
30	SL0197	Stainless-steel	Volantino	Handwheel
30	SL3328R0	Aluminium (without CE norms)	Volantino	Handwheel
31	SL0180		Recipiente	Container
32	SL0891	● Start-stop	Pulsante	Push button
33	SL0883	●	Scheda elettronica	Electronic card
34	SL0931	20µF	Condensatore	Condenser
35	SL0176		Staffa	Bracket
36	SL2651		Fondo	Bottom
37	SL0235		Piedino	Foot
38	SL0054		Interruttore	Switch

(*) : fuori produzione / out of production

● : ricambio consigliato / spare part suggested