

HD150

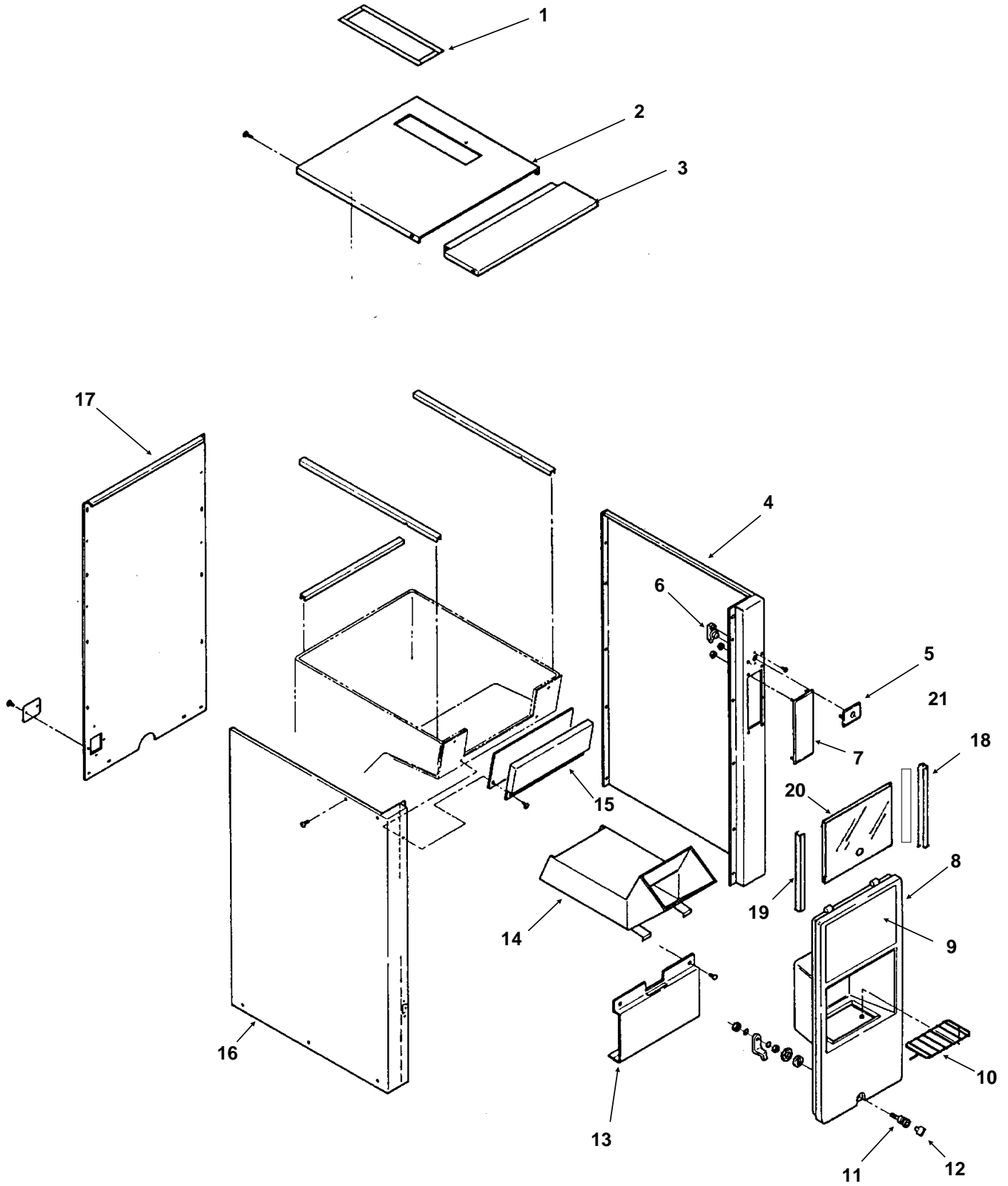
This parts list contains the part numbers for all HD150 Cube Ice Dispensers. Be sure to check the complete model number before ordering the part.

Table of Contents

- HD150 Cabinet page 2
- HD150 Bin page 4
- HD150 Dispensing parts page 5
- HD150 Door and Solenoid page 6
- Kit parts page 7
- Wiring Diagram page 8

HD150

Cabinet Parts - HD150S



HD150

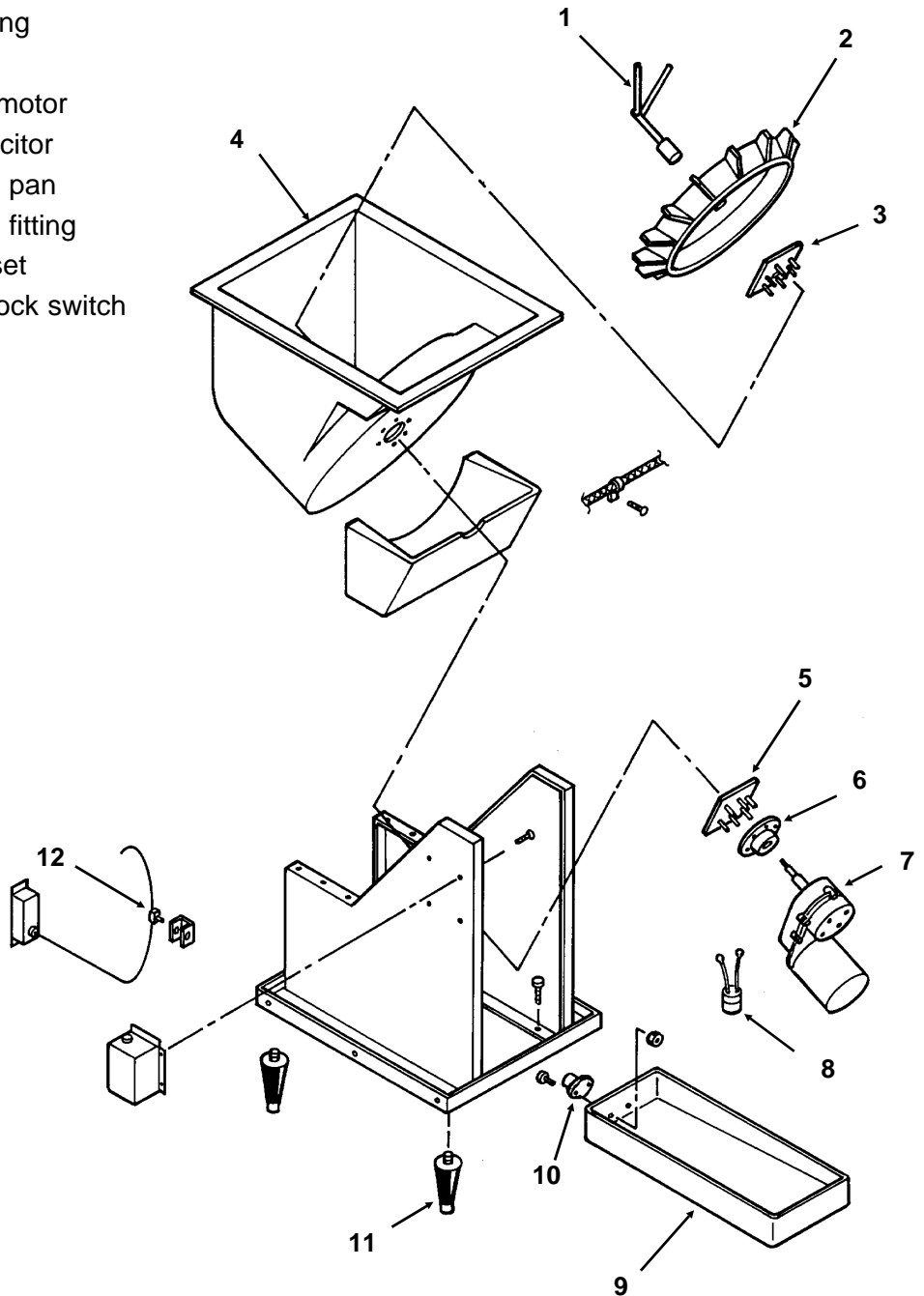
Cabinet Parts - HD150

Item Number	Part Number	Description
1	19-0503-04	Gasket 24" around cube chute, 90" around top. Order per foot.
2	C80630003	Bin cover, back
3	C80445002	Bin cover front
4	C80627301	Right side panel, stainless steel
5	C80416302	Switch cover, stainless steel
6	C41771800	Vend switch
7	C80417802	Cover, stainless steel
8	C80627601	Sink & panel
9	no number	Graphic
10	C80417401	Grill
11	C80416401	Lock
12	C80415601	Key
13	C80627101	Bottom panel
14	C80439601	Drain chute
15	C80627001	Top front panel, stainless steel
16	C80627302	Left side panel, stainless steel
17	C80627401	Back panel
18	C80571402	U channel, right
19	C80571401	U channel, left
20	C80571601	Window
21	C80571501	Guide

HD150

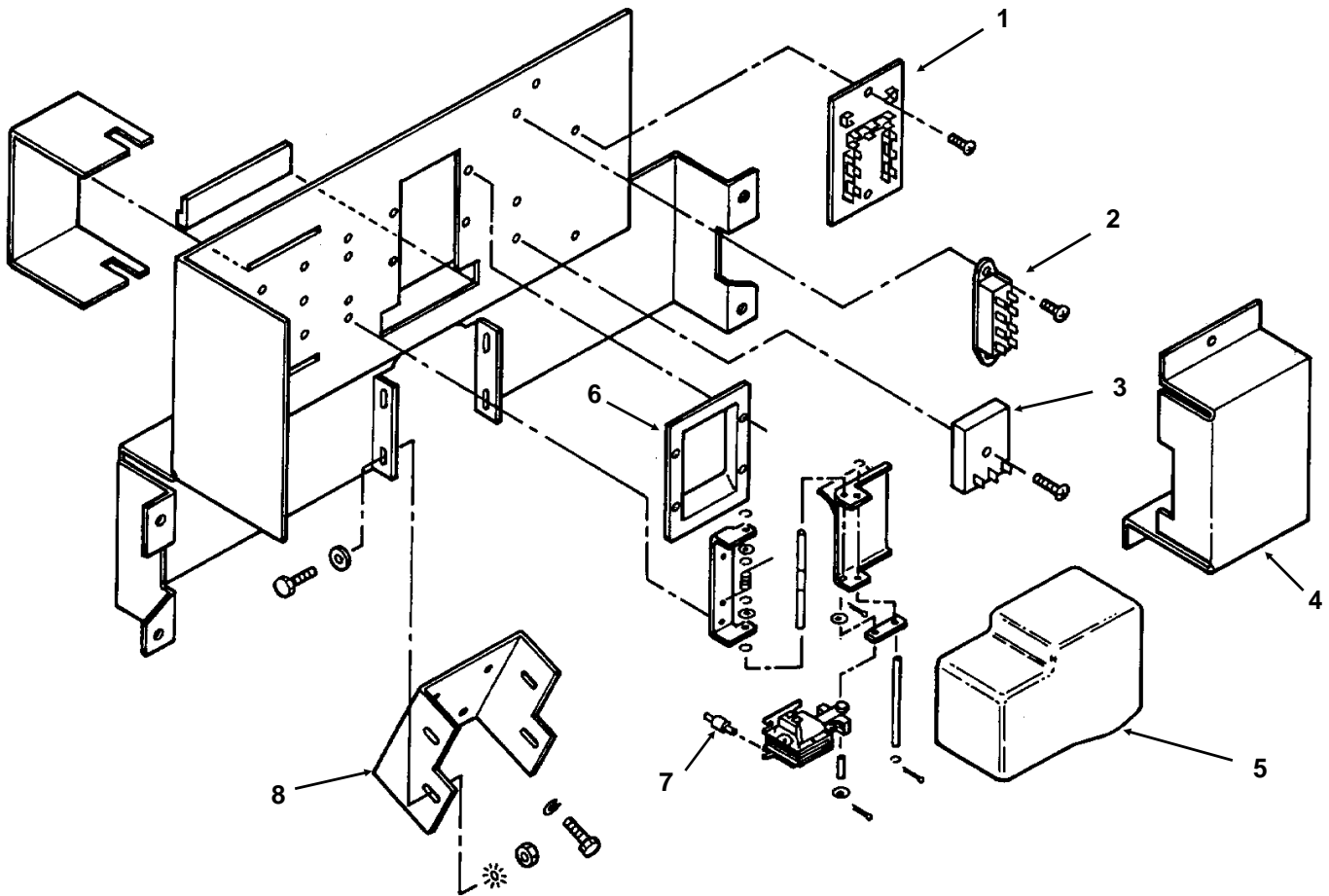
Bin Parts - HD150S

Item Number	Part Number	Description
1	C30074400	Sweep arm
2	02-3040-01	Rotor
3	A34810-001	Plate assembly
4	C80628501	Bin
5	A34817-001	Gearmotor plate
6	A34760-001	Hub, includes bearing and seal
6a	02-3075-01	Bearing
6b	02-3065-01	Seal
7	12-2369-21	Gearmotor
8	C12235901	Capacitor
9	C80416601	Drain pan
10	C36619500	Drain fitting
11	KLP2S	Leg set
12	C33810100	Interlock switch



HD150

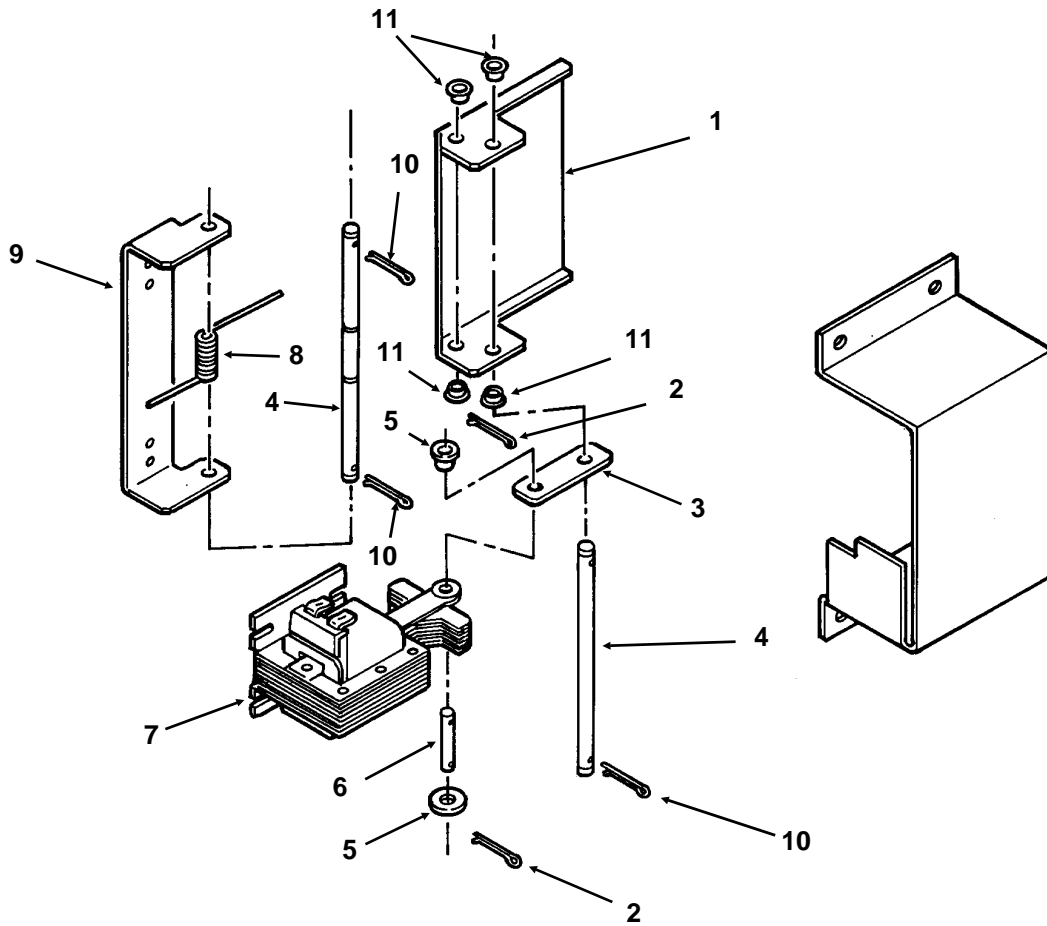
HD150S Dispensing Mechanism



Item Number	Part Number	Description
1	C18223900	Terminal Board
2	C46292701	Control relay
3	C80629301	Timer - 3 seconds on every 2 hours
4	ref. only	Cover
5	02-3067-01	Solenoid cover
6	02-3188-01	Spout adapter
7	13-0882-01	Rubber mounts
8	02-3786-01	Gear motor bracket

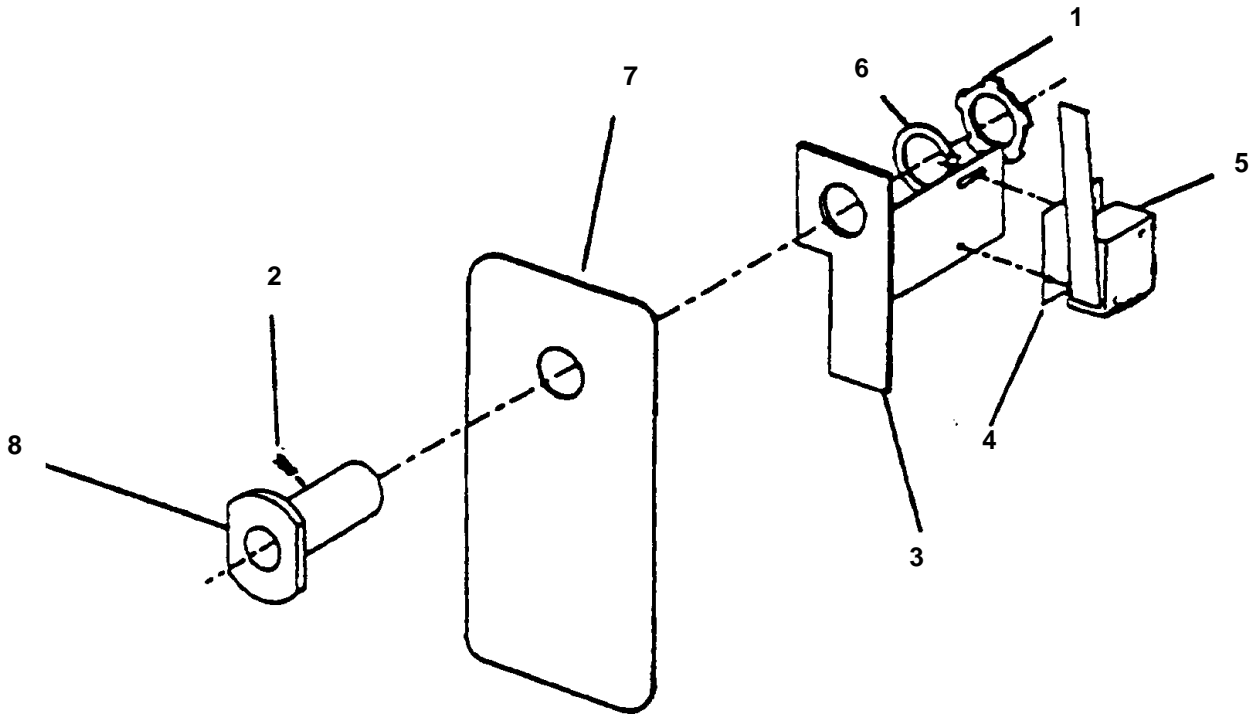
HD150

HD150S Door and Solenoid



Item Number	Part Number	Description
1	A34801-001	Ice door
2	03-0396-01	Cotter pin
3	02-3089-02	Solenoid link
4	02-3088-01	Long axle
5	03-1407-02	Washer
6	A32685-001	Axle, linkage
7	12-2862-01	Solenoid
8	A32690-001	Door spring
9	A34802-001	Door hinge
10	03-0396-08	Cotter pin
11	02-3187-01	Bushing
12	A35623-001	Door assembly kit, includes all items except 5, 6, & 7

HD150 Kit Parts



KSLDK2 Key Mech Kit - for HD150S

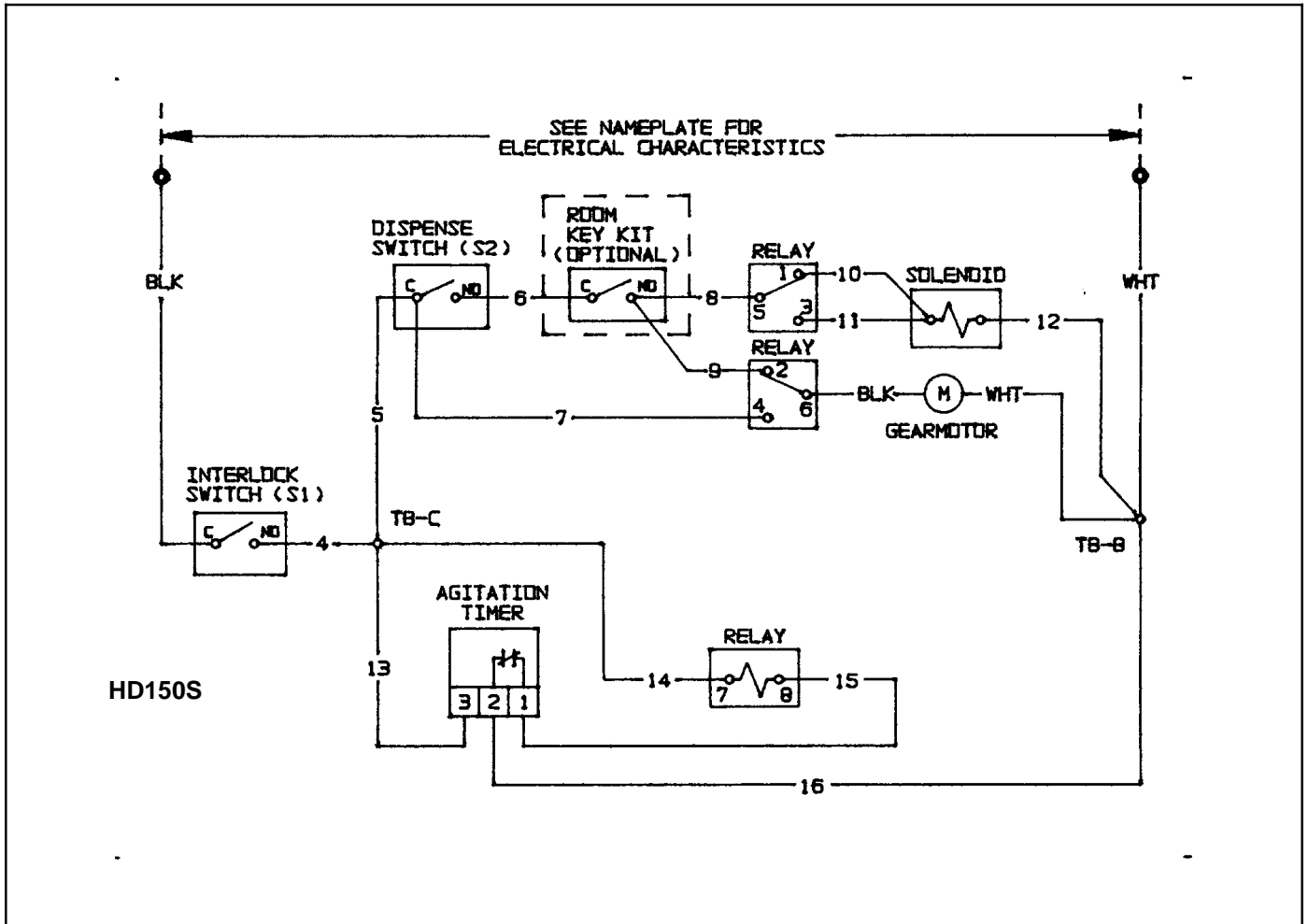
Item	Part	
Number	Number	Description
1	C01002800	Nut lock
2	C19549700	Set screw
3	C42792800	Switch bracket
4	no number	Barrier
5	C26203100	Microswitch
6	C80452001	Plastic washer
7	C80417804	Cover plate
8	C42647900	Lock housing

Not Shown

KSLDC or KSLDC2 Coin Mech Kit

1	C18223900	Term. board
2	C46292701	Control Relay
3	C80457301	Coin slide mech.
4	C80457401	Coin box
5	C80457501	Mounting plate
6	C80565701	Timer
7	C80457302	Microswitch

HD150 Wiring Diagrams



HD150

Wiring Diagram, HD150 with coin mechanism

