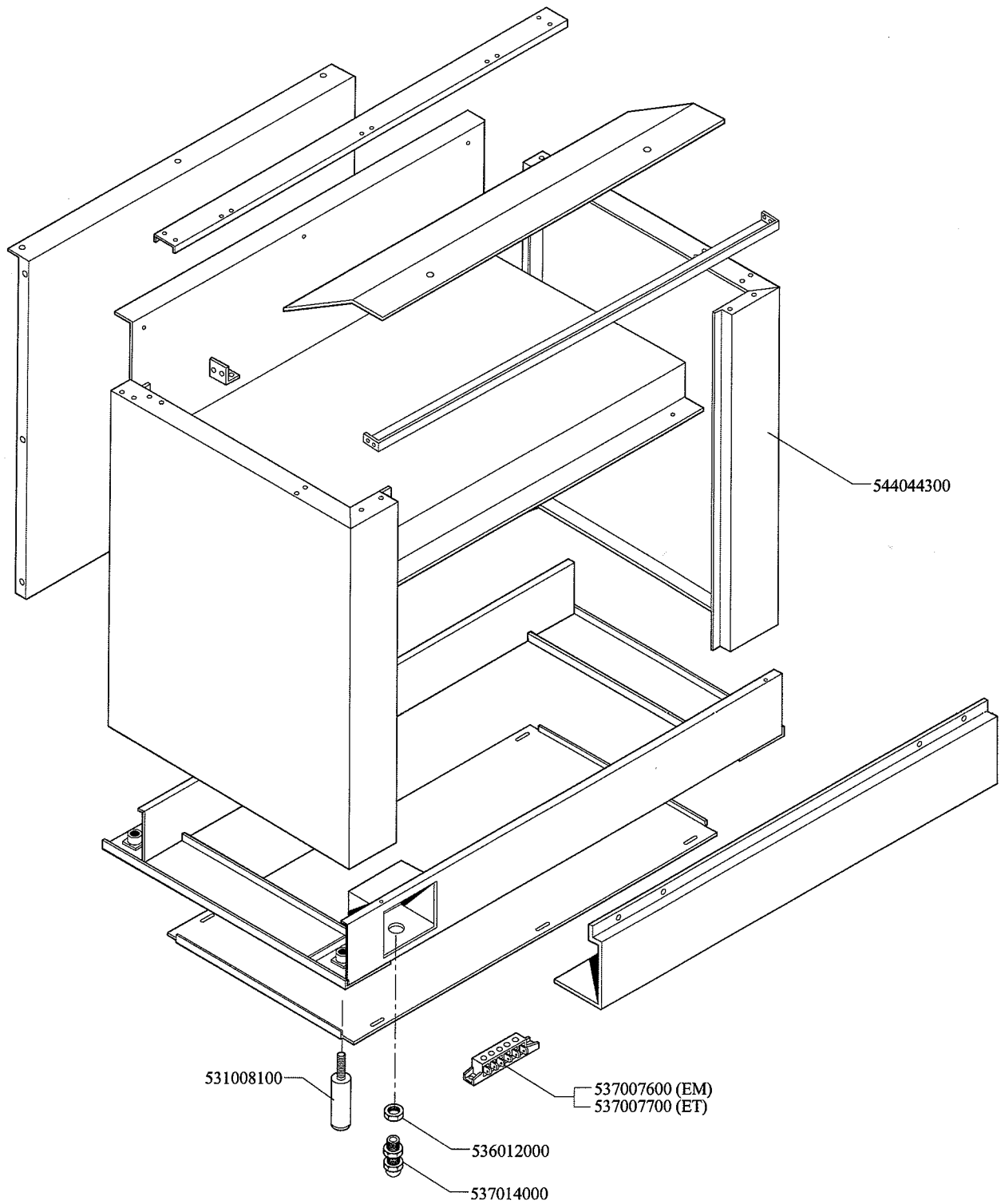


SNACK 60 CUCINE / SNACK 60 RANGES / SNACK 60 HERDE / SNACK 60 CUISINIÈRES

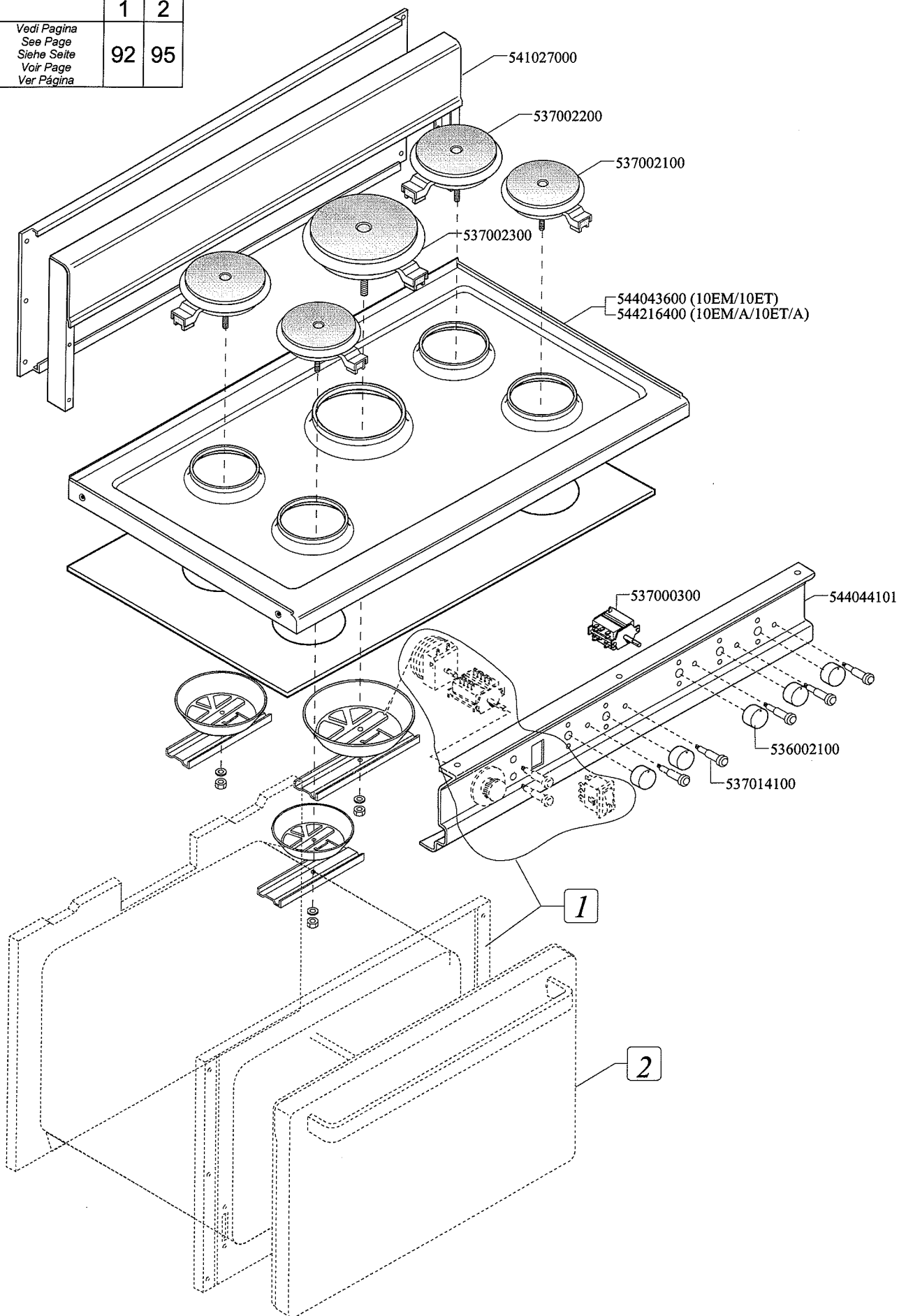
CF-10EM CF-10ET CF-10EM/A CF-10ET/A



SNACK 60 CUCINE / SNACK 60 RANGES / SNACK 60 HERDE / SNACK 60 CUISINIÈRES

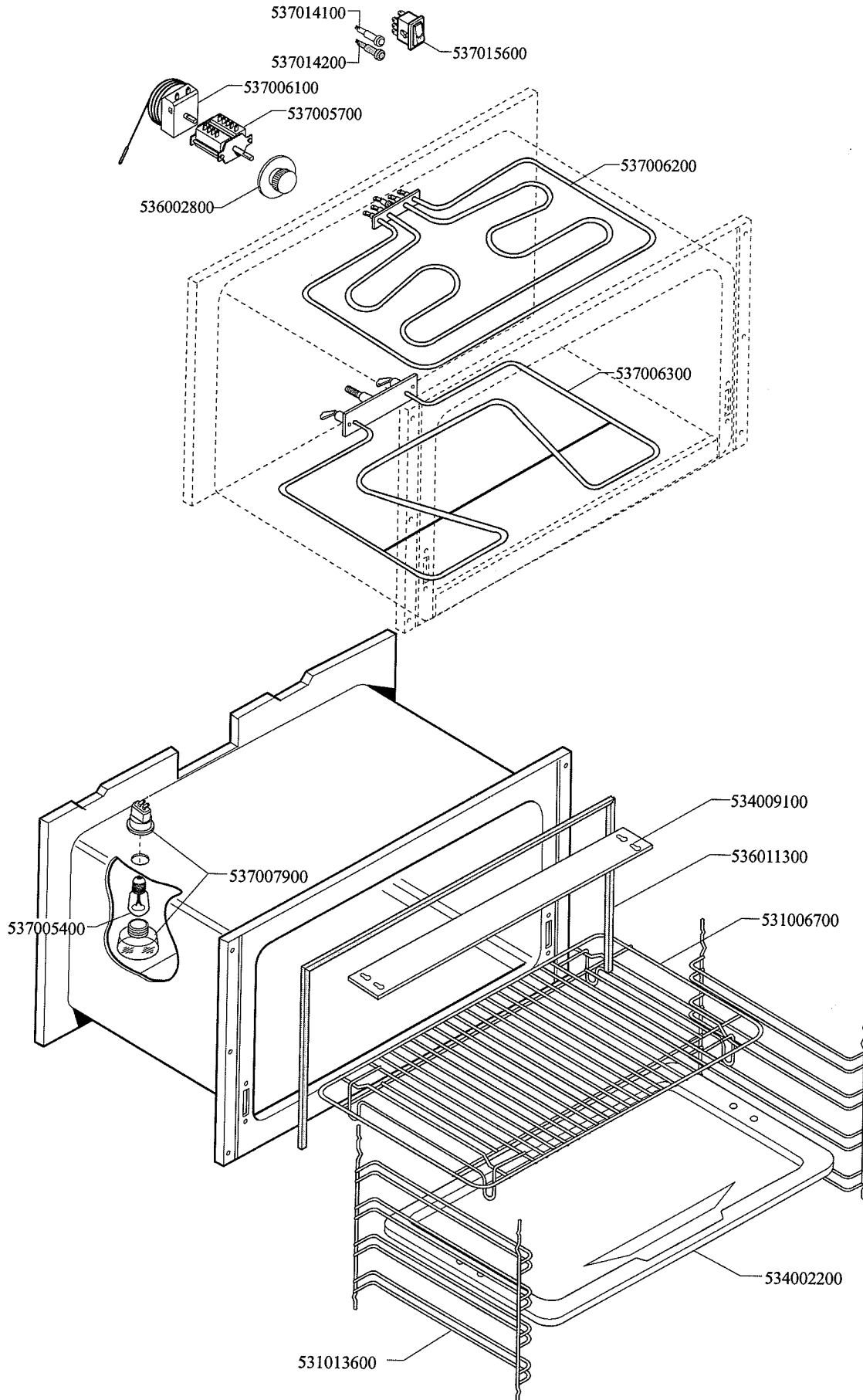
CF-10EM CF-10ET CF-10EM/A CF-10ET/A

	1	2
Vedi Pagina See Page Siehe Seite Voir Page Ver Pagina	92	95



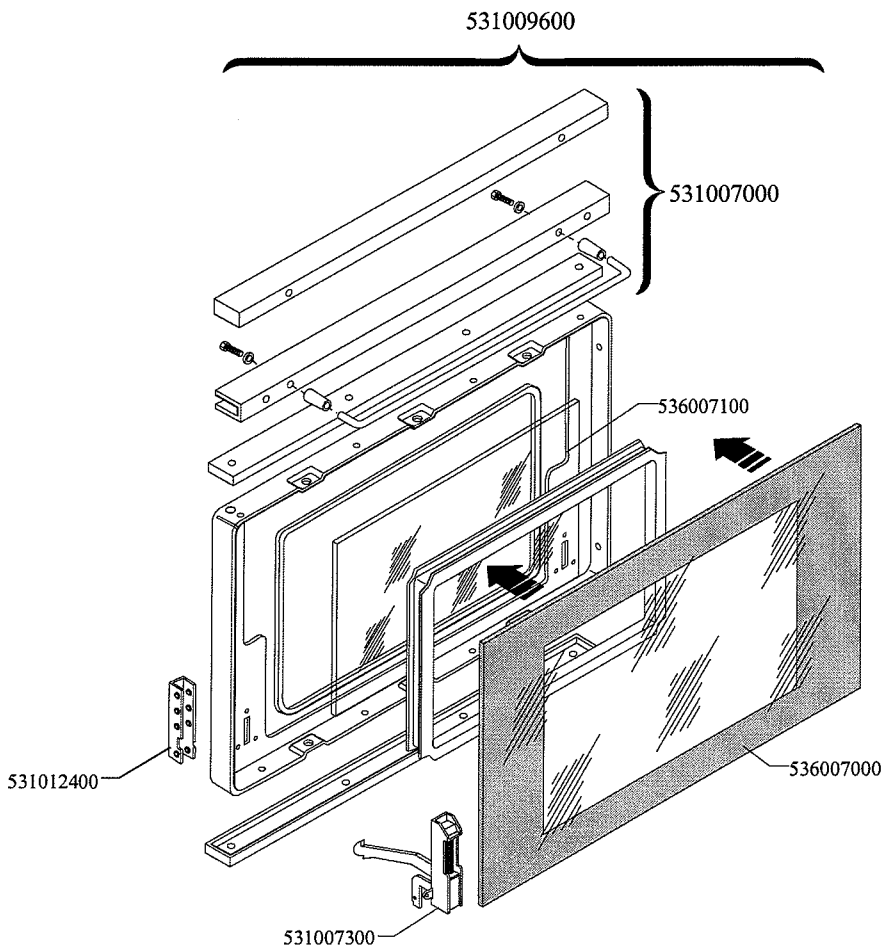
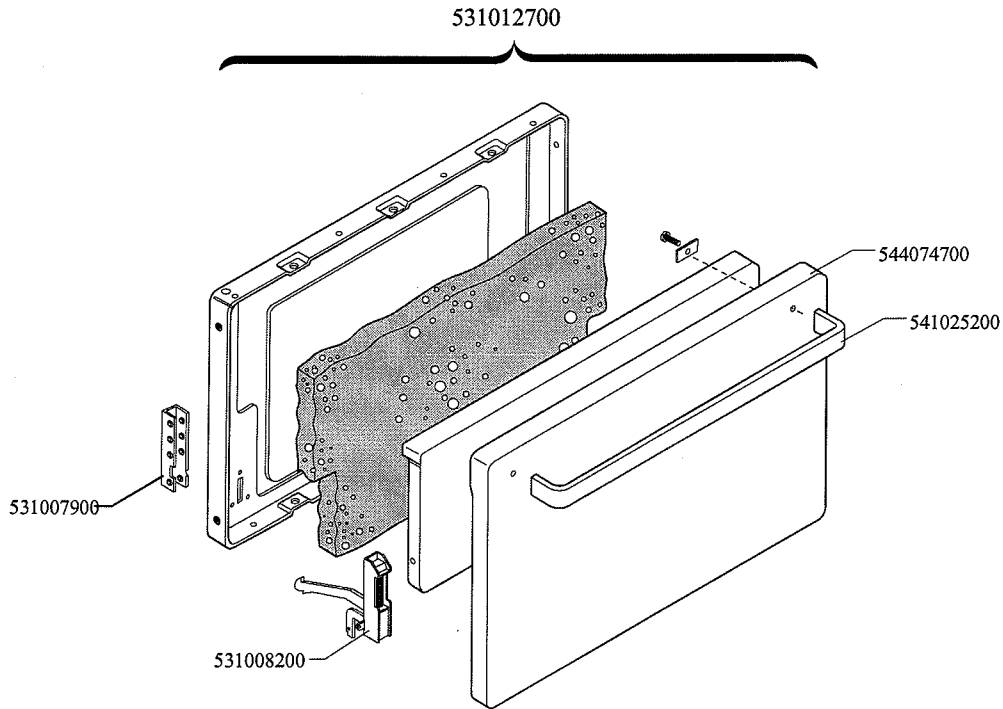
SNACK 60 CUCINE / SNACK 60 RANGES / SNACK 60 HERDE / SNACK 60 CUISINIÈRES

FORNO STATICO ELETTRICO CF...-8... CF...-10... / TRADITIONAL ELECTRIC OVEN CF...-8... CF...-10... / STATISCHER ELEKTRO-BACKOFEN CF...-8... CF...-10... / FOUR ELECTRIQUE STATIQUE CF...-8... CF...-10...



**SNACK 60 CUCINE / SNACK 60 RANGES / SNACK 60 HERDE / SNACK 60
CUISINIÈRES**

**PORTE INOX/VETRO FORNO CF...-8... CF...-10... / STAINLESS-STEEL/GLASS DOORS
OVEN CF...-8... CF...-10... / EDELSTAHL/GLASTÜREN OFEN CF...-8... CF...-10... /
PORTES EN ACIER INOXYDABLE/VITRÈES POUR FOUR CF...-8... CF...-10**



Page	Pos	Code	Description
001		544044300	SIDE 1000 RANGE
001		531008100	ADJUSTABLE LEG H9 CHROME
001		536012000	HEXAGONAL LOCK NUT PG-21
001		537014000	CABLE SECURING CLAMP PG-21
001		537007600	TERMINAL BLOCK SINGLEPHASE 40A
002		541027000	NEUTRAL SPACER 1000
002		537002200	ELECTRICAL PLATE D.180 W1500 V230
002		537002100	ELECTRICAL PLATE D.145 W1000 V230
002		537002300	ELECTRICAL PLATE D.220 W2000 V230
002		537000300	COMMUTATOR 7 POSITIONS S.49 16A
002		544044101	CONTROL PANEL CF-10E
002		536002100	KNOB 7 POSITIONS SNACK
002		537014100	WHITE WARNING LIGHT 250V
002		544216400	UPPER PLATE CF-10E/A (OLD MOD.)
003		537014100	WHITE WARNING LIGHT 250V
003		537014200	GREEN WARNING LIGHT 250V
003		537006100	OVEN THERMOSTAT CF-62/8/10
003		537005700	OVEN COMMUTATOR CF-8/10 EL.
003		537015600	BIPOLAR SWITCH
003		536002800	ELECTRIC OVEN KNOB CF-8/10
003		537006200	UPPER OVEN HEATING EL.1000+2000W
003		537006300	LOWER OVEN HEATING EL.W1750 230CF8/
003		534009100	GRILL PROTECTION CF-8/10
003		536011300	OVEN GASKET CF-8/10
003		531006700	OVEN GRID FOR CF-8/10
003		534002200	OVEN DRIPPING-PAN CF-8/10
003		531013600	SIDE GRID FOR MAXI/VENTILATED OVEN
003		537007900	OVEN BULB-SOCKET
003		537005400	OVEN BULB 15W 300°C
004		531012700	STAINLESS STEEL OVEN DOOR CF-8/10
004		531007900	STAINLESS STEEL DOOR WHEEL HOLDER
004		531008200	STAINLESS STEEL DOOR HINGE CF-8/10
004		544074700	STAINLESS STEEL OVEN DOOR PANEL
004		541025200	STAINLESS STEEL OVEN DOOR HANDLE
004		531009600	COMPLETE GLASS OVEN DOOR
004		531007000	OVEN GLASS DOOR HANDLE CF-8/10
004		536007100	INTERNAL GLASS OVEN DOOR CF-8/10
004		536007000	EXTERNAL GLASS OVEN DOOR CF8/10
004		531012400	GLASS DOOR WHEEL HOLDER CF-8/10
004		531007300	GLASS DOOR HINGE CF-8/10