

www.atasrl.com

Modello  
Macchina  
Macchine

**AF 880 - ALP 40**

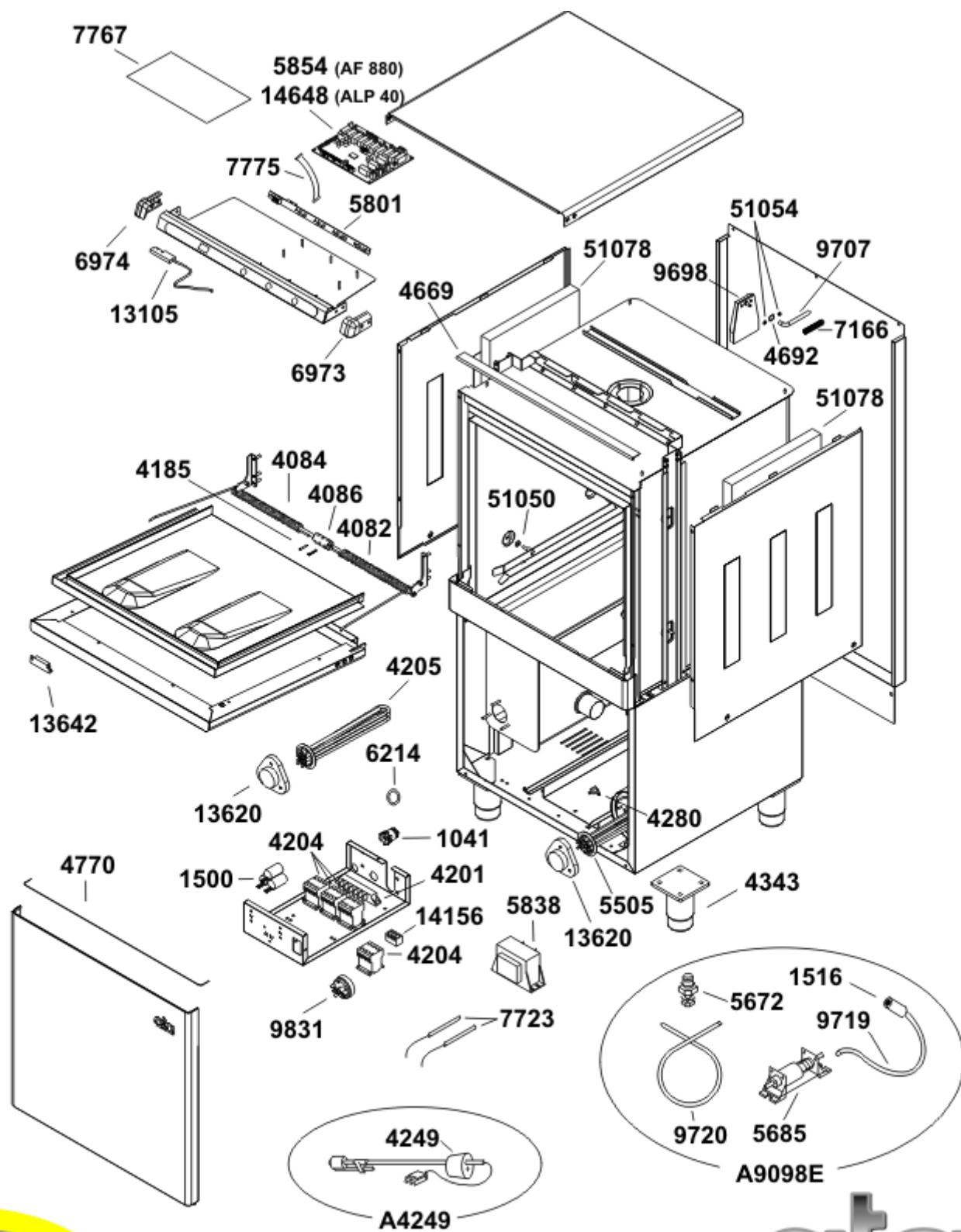
Dis. n° EM.AF.061

Data: 01/01/14



Professional dishwashers

A.T.A. S.R.L. 35026 CONSELVE (PD) ITALY VIALE DEL PROGRESSO 20 - Z. I. PHONE 049/9500555 (4 LINEE R.A.) FAX 049/9500560



www.atasrl.com

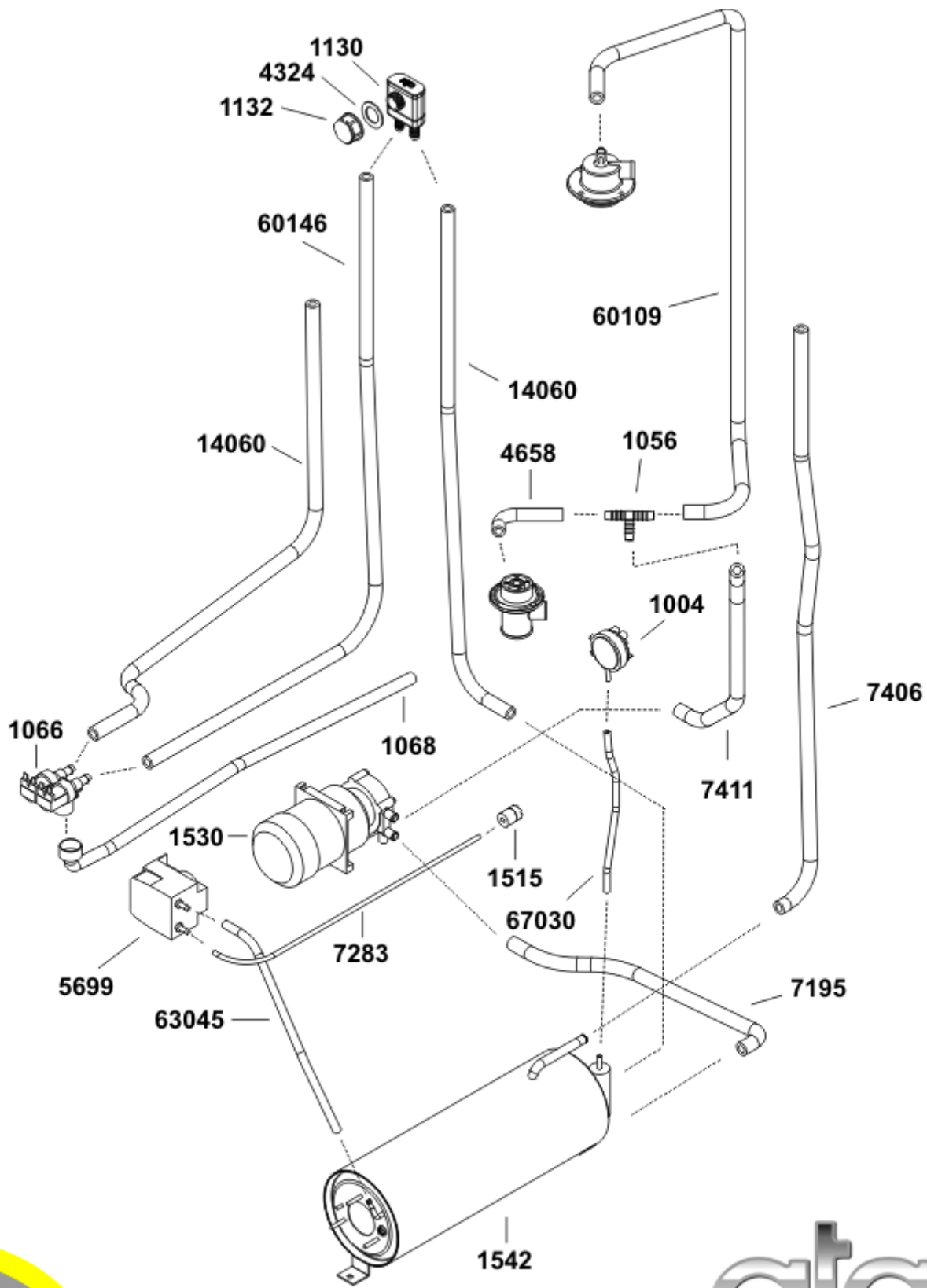
**AF 880 + PRP**  
**ALP 40 + PRP**

Dis. n° EE.AF.110 Data: 01/01/14



**Professional dishwashers**

A.T.A. S.R.L. 35026 CONSELVE (PD) ITALY VIALE DEL PROGRESSO 20 - Z. I. PHONE 049/9500555 (4 LINEE R.A.) FAX 049/9500560



www.atasrl.com

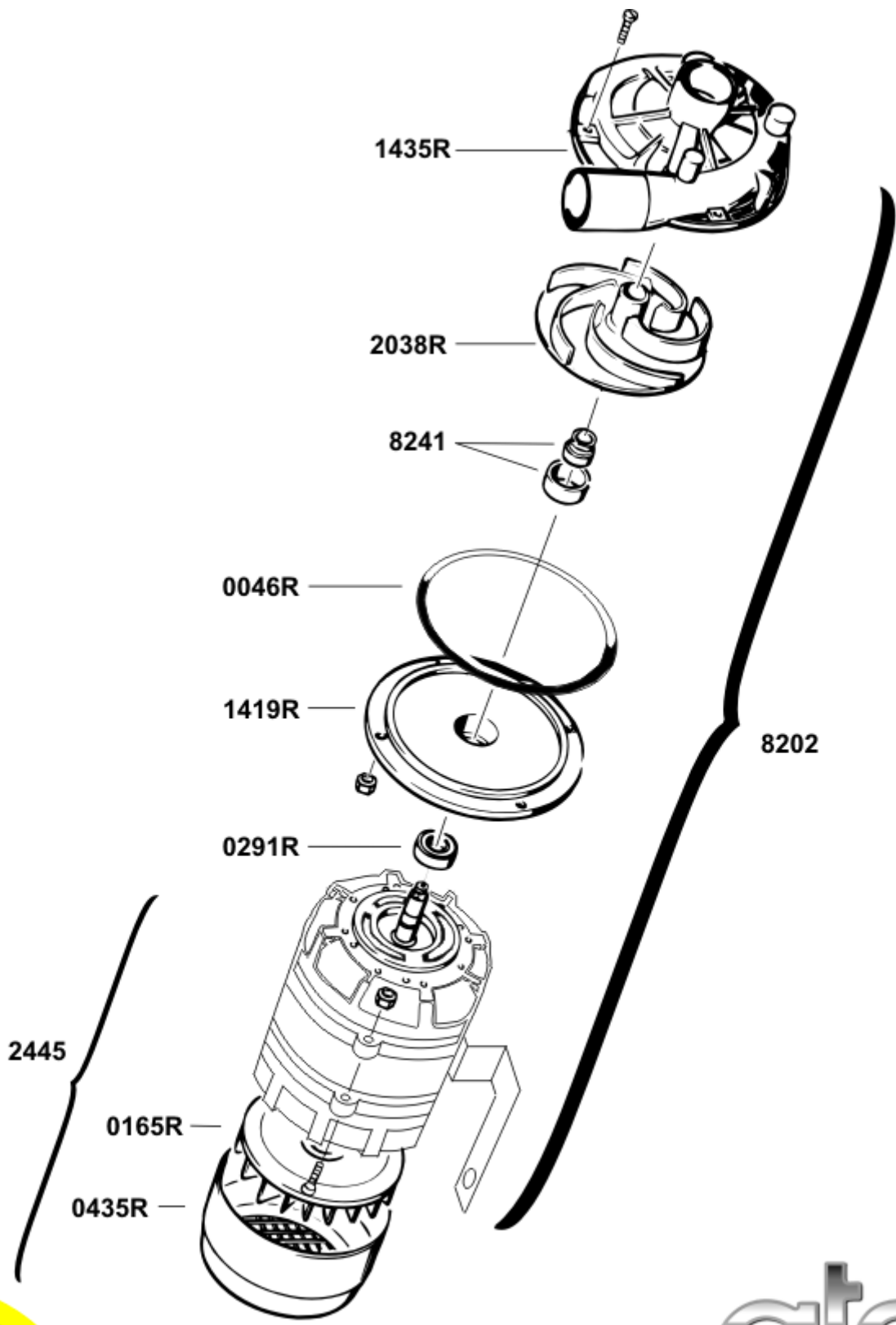
Modello  
Macchina  
Model  
Macchine

**AF 880 + PRP**  
**ALP 40 + PRP** Dis. n° EI.AF.109 Data: 01/01/14



**Professional dishwashers**

A.T.A. S.R.L. 35026 CONSELVE (PD) ITALY VIALE DEL PROGRESSO 20 - Z. I. PHONE 049/9500555 (4 LINEE R.A.) FAX 049/9500560



www.atasrl.com

**ELETTROPOMPA**  
0,63 kW

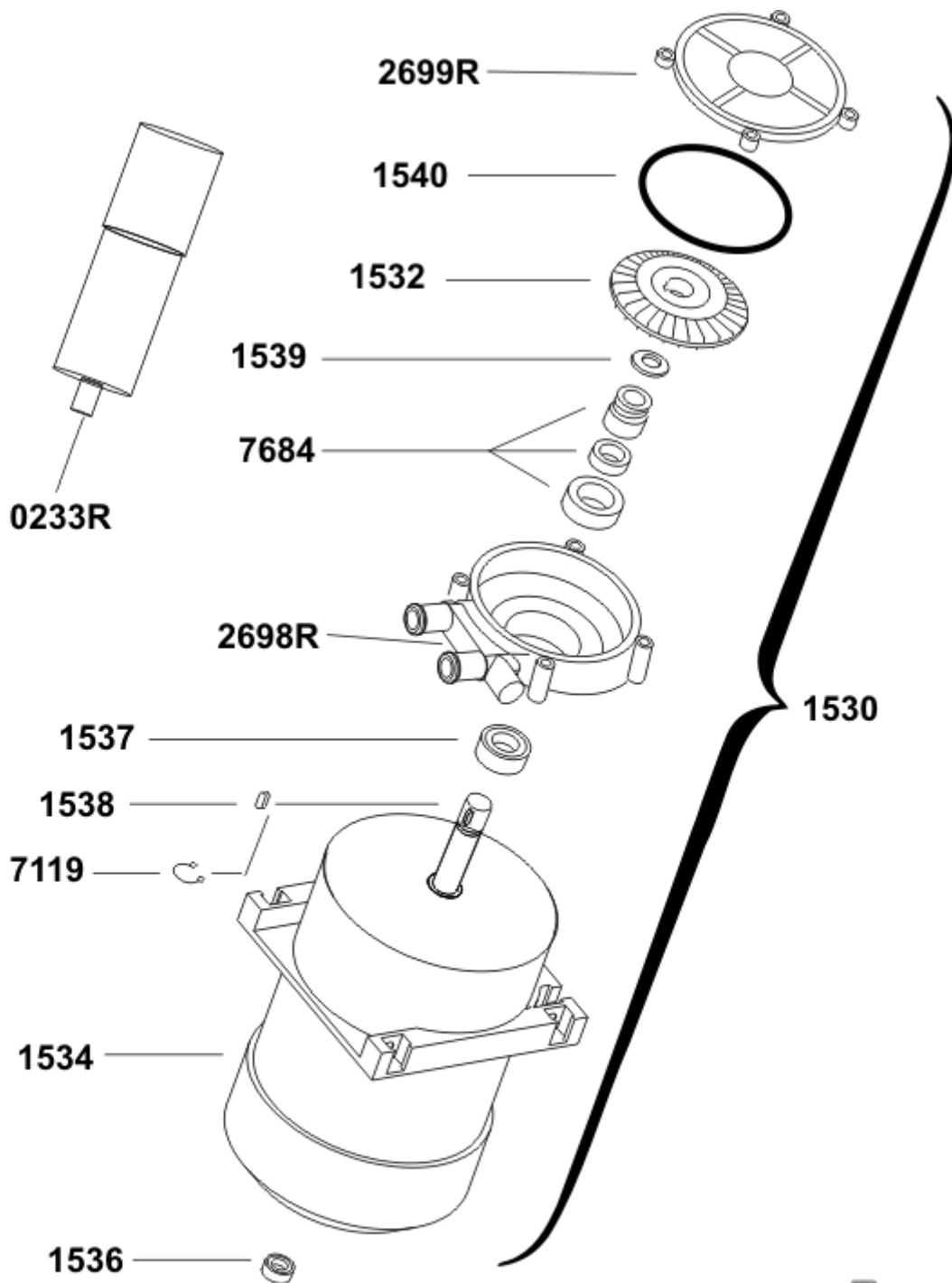
Modello  
Modello  
Modello  
Modello

Dis. n° EE.P.035    Data: 01/10/10



Professional dishwashers

A.T.A. S.R.L. 35026 CONSELVE (PD) ITALY VIALE DEL PROGRESSO 20 - Z. I. PHONE 049/9500555 (4 LINEE R.A.) FAX 049/9500560



www.atasrl.com

Modello  
Modello  
Modello  
Modello

**Pompa aum.pressione**

Dis. n° EE.P.027

Data: 01/10/10



**Professional dishwashers**

A.T.A. S.R.L. 35026 CONSELVE (PD) ITALY VIALE DEL PROGRESSO 20 - Z. I. PHONE 049/9500555 (4 LINEE R.A.) FAX 049/9500560