

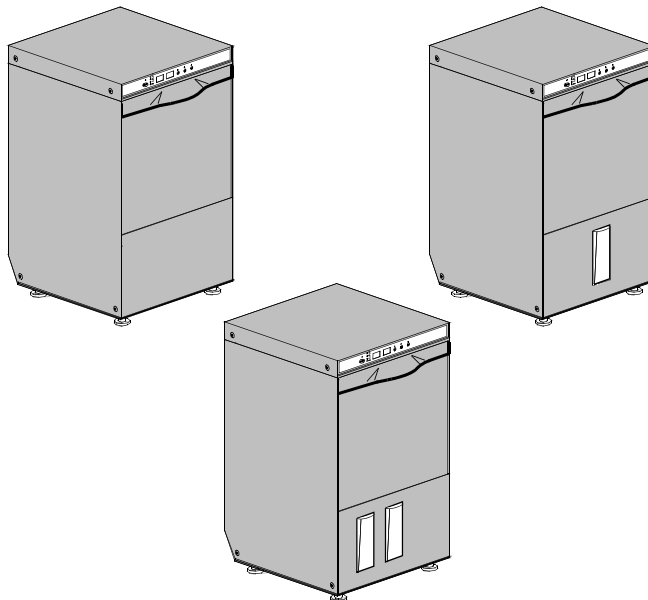
DISHWASHER

ELECTRONICAL SWITCHES
LOWER WASHING
LOWER AND UPPER WASHING

TYPE: 32ELK

Accessories
BREAK TANK
BOOSTER PUMP
DVGW
COLD RINSE
WATER SOFTNER
DETERGENT DISPENSER
DRAIN PUMP

Spare parts manual



1. Spare parts

General body parts.....	7
Lockup system	9
Control panel and switches.....	11
Electric control ELECTRO.....	13
Solenoid valve group	15
Solenoid valve group	17
Solenoid valve group	19
Break Tank	21
Booster pump.....	23
DVGW	25
Water softner group.....	27
Rinse aid dispenser group.....	29
Rinse aid dispenser group.....	31
Boiler group	33
3 ways connection	35
4 ways connection	37

Wash pump39

Wash pump 41

Dosing detergent group..... 43

Dosing detergent group..... 45

Drain pump group..... 47

Drain pump group..... 49

Pressure switch group with air trap ...51

Turret group with rotating arms53

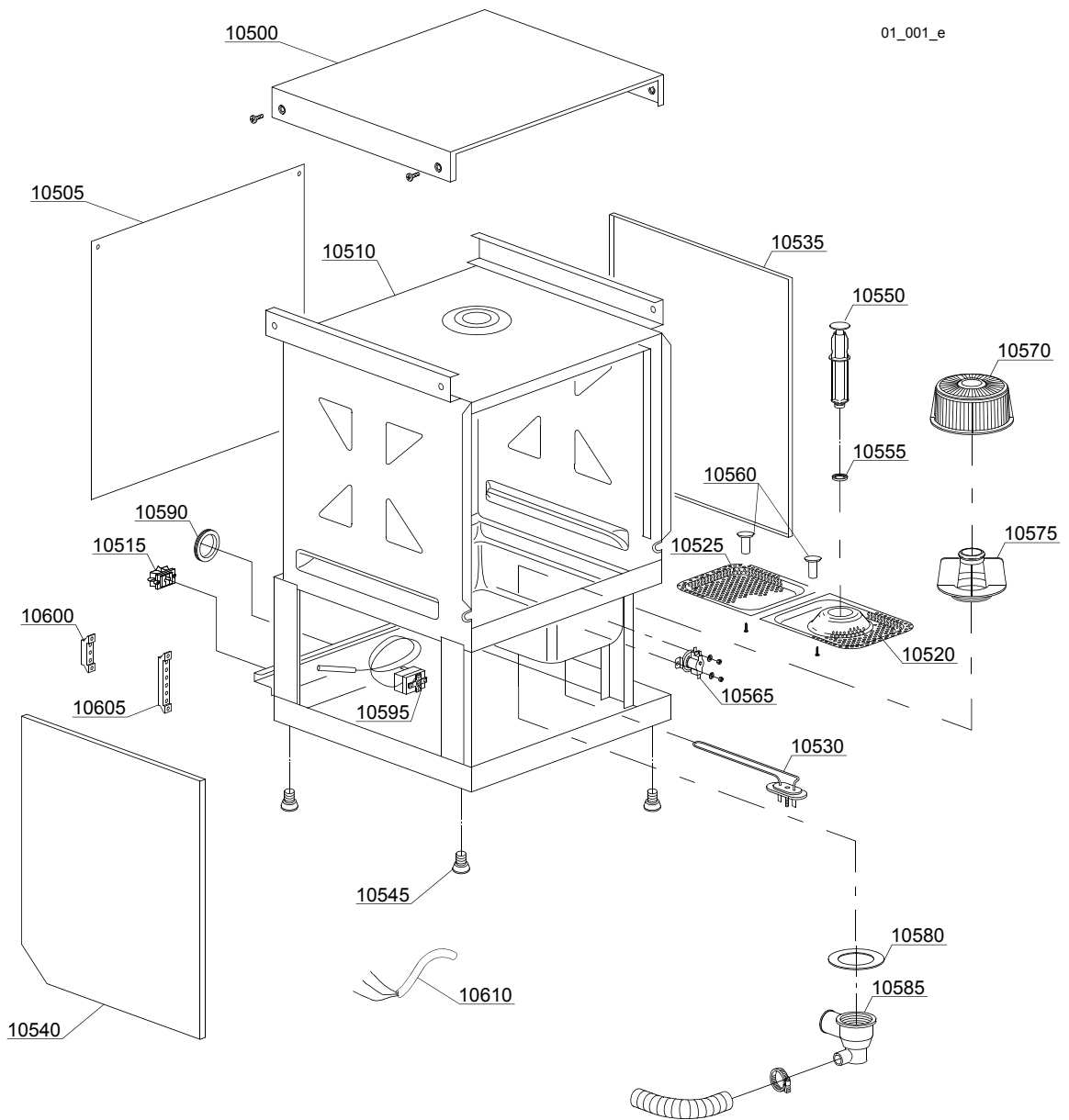
Turret group with rotating arms55

1.1 Voltage codes

Voltage code	Voltage
A	3/N/PE~400/230V 50Hz
B	~250V 16A 50Hz
C	3/N/PE~380/220V 50Hz
D	3/PE~200V 50-60Hz
F	2/PE 220-240V 50Hz
G	3/N/PE~415/240V 50Hz
H	3/PE~230V 50Hz
I	3/PE~220V 60Hz
J	3/PE~380 50Hz
K	3/PE~400V 50Hz
L	3/PE~415V 50Hz
M	3/PE~440V 60Hz
N	3/PE~460V 60Hz
O	3/PE~480V 60Hz
P	1/N/PE~220-240V 50Hz
R	2/PE~220-230V 60Hz
S	3/N/PE~400/230V 50Hz
T	3/PE~230V 60Hz

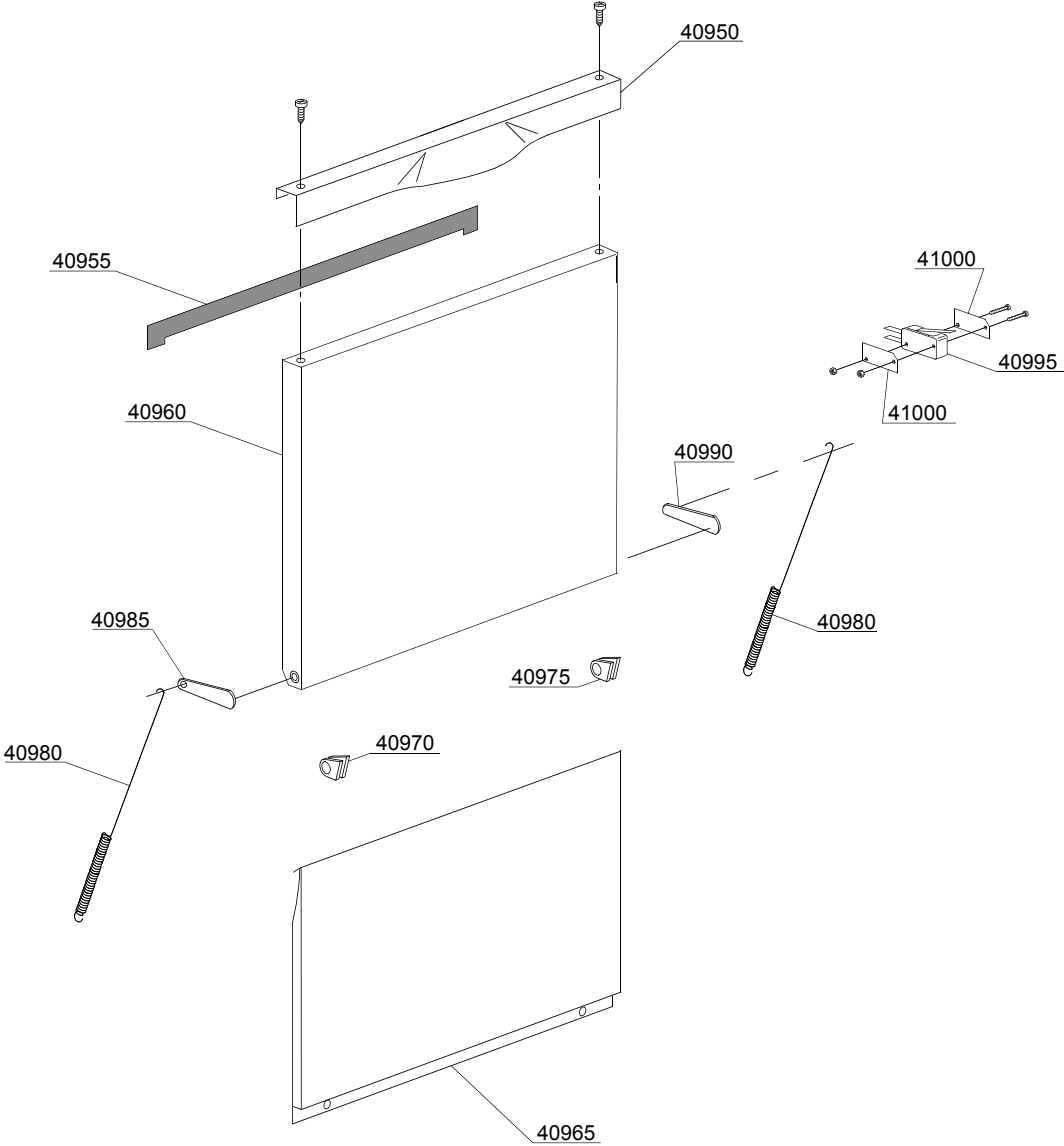
1.2 Product codes

Product code	Full name
Model codes	
ec	ELECTRONICAL SWITCHES
cf	LOWER WASHING
ls	LOWER AND UPPER WASHING
Type codes	
32ELK	32ELK
Accessory codes	
bt	BREAK TANK
pap	BOOSTER PUMP
dvgw	DVGW
fs	COLD RINSE
d	WATER SOFTNER
dde	DETERGENT DISPENSER
ps	DRAIN PUMP



Spare parts

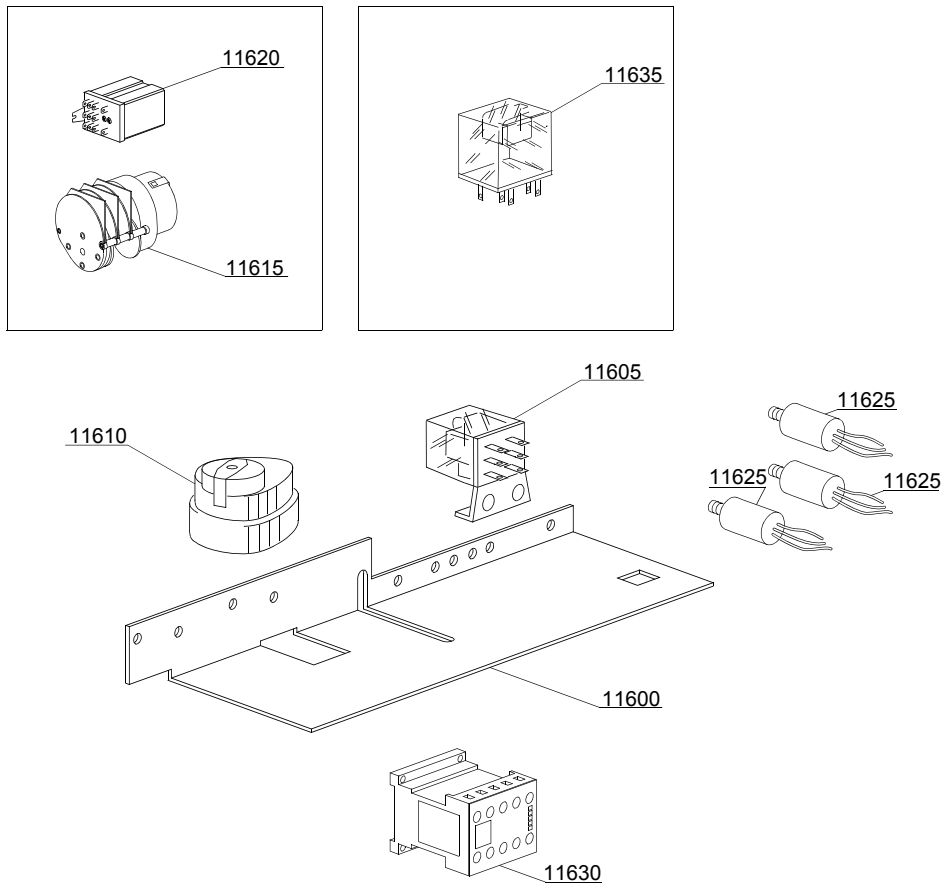
ID	P-code	Model	Type	Accessory	Voltage	Description
MODULE:General body parts						
10500	540913		32ELK			Cover
10505	540903		32ELK			Back panel
10510	540908		32ELK			Body
10510	540921		32ELK	ws		Body
10515	15065/A		32ELK			Cable-fastener with screw
10520	540027		32ELK			Surface half-filter
10525	540028		32ELK			Surface half-filter
10530	540401		32ELK			1,1/1,2 KW 230/240V heating element
10535	540900		32ELK			Right side
10540	540901		32ELK			Left side
10545	10850		32ELK			Foot
10550	540033		32ELK			Overflow pipe
10555	13021		32ELK			DEM 40 O-ring
10560	540039		32ELK			Surface filter handle
10565	15551		32ELK			Fixed tank thermostat in deviation
10570	500620		32ELK			Filter
10575	500615		32ELK			Ferrule with filter
10580	80208		32ELK			95x75x3 O-ring
10585	500606		32ELK			Right side scrap tray
10590	13317		32ELK			Ø40mm lead through rubber
10595	10707/1		32ELK			0-90°C thermostat
10600	500550		32ELK			3 poles terminal board
10605	500551		32ELK			6 poles terminal board
10610	10713		32ELK			3x2,5x2500 cable
10610	15118		32ELK			5x2,5 cable



02_305_e

Spare parts

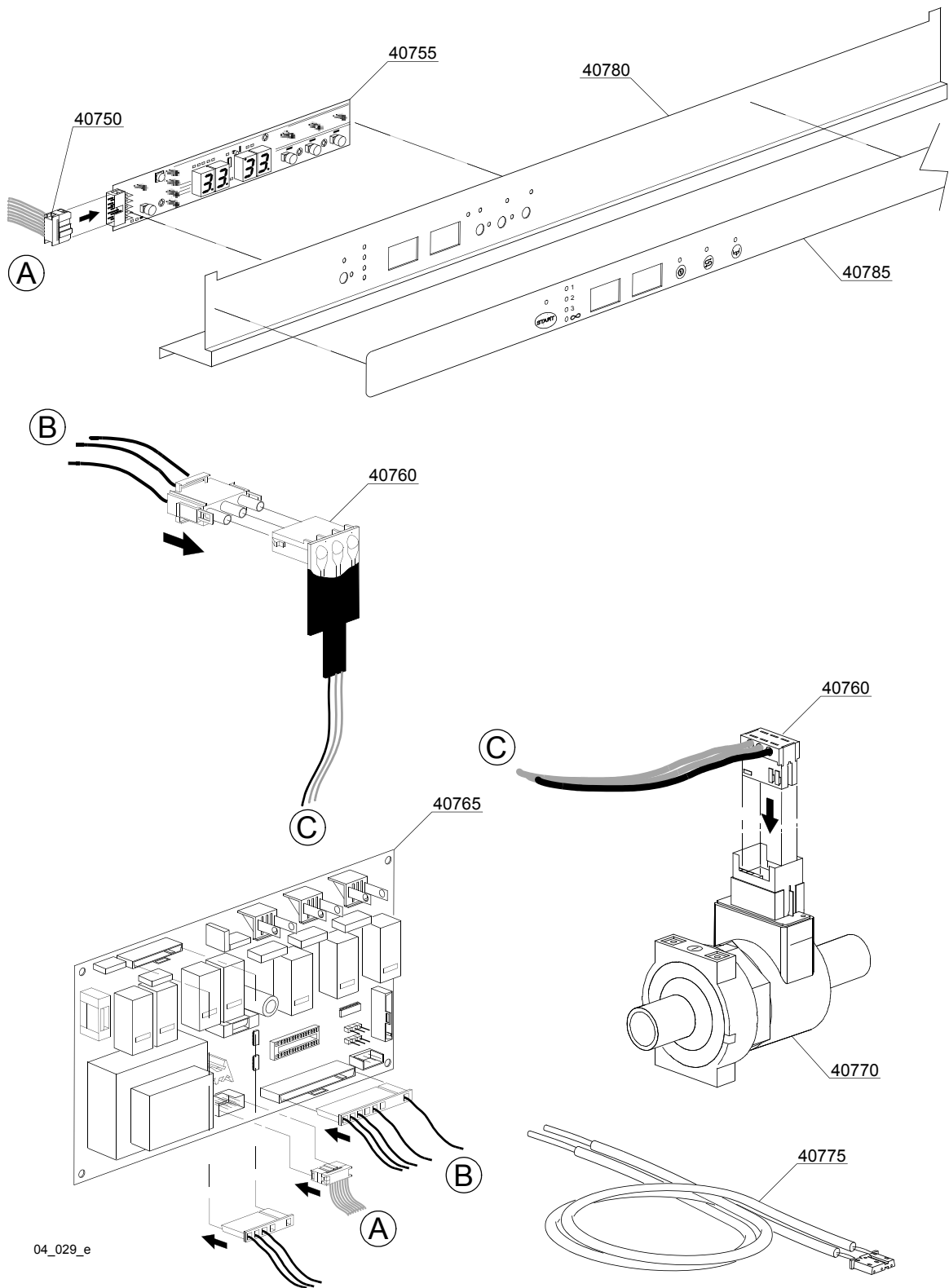
ID	P-code	Model	Type	Accessory	Voltage	Description
MODULE:Lockup system						
40950	540959		32ELK			ELEKTRON 400 Door with steel handle
40955	560021		32ELK			ELK 400 Profile for door O-ring
40960	540958		32ELK			Stainless steel handle ELEKTRON 400
40965	540902		32ELK			ELEKTRON 400 Lower door
40970	540636		32ELK			Left axle bush for door hinge
40975	540635		32ELK			Right axle bush for door hinge
40980	560003		32ELK			Door spring
40985	540629		32ELK			Left lock for door hinge
40990	540624		32ELK			Right lock for door hinge
40995	10704		32ELK			Door microswitch
41000	10770		32ELK			Insulation for door microswitch



04_001_e

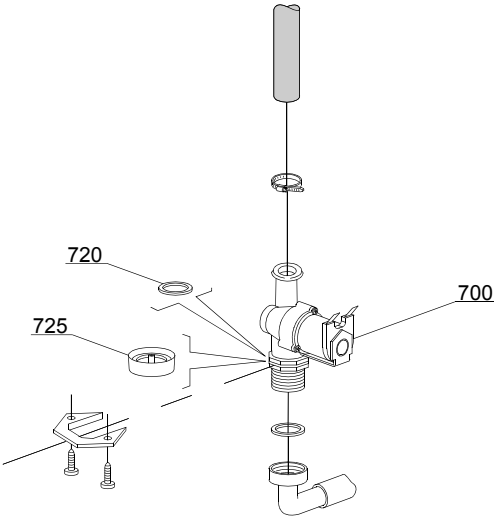
Spare parts

ID	P-code	Model	Type	Accessory	Voltage	Description
MODULE:Control panel and switches						
11600	540943		32ELK			Electric components panel
11605	16037		32ELK			16A bipolar relay
11610	10708/B		32ELK			120" timer - 220Vac 60Hz
11610	10708/L		32ELK			120" timer
11610	10708/N		32ELK			90" timer with thermostop
11610	10708/T		32ELK			Timer 120"with thermostop
11615	16064/A		32ELK			Regeneration timer
11620	16037/D		32ELK			16A bipolar relay
11625	15149		32ELK			Low noise filter
11630	15086		32ELK			Contactora 230V 50/60Hz 4C
11635	15620		32ELK	cr,dp		Bipolar relay in deviation



Spare parts

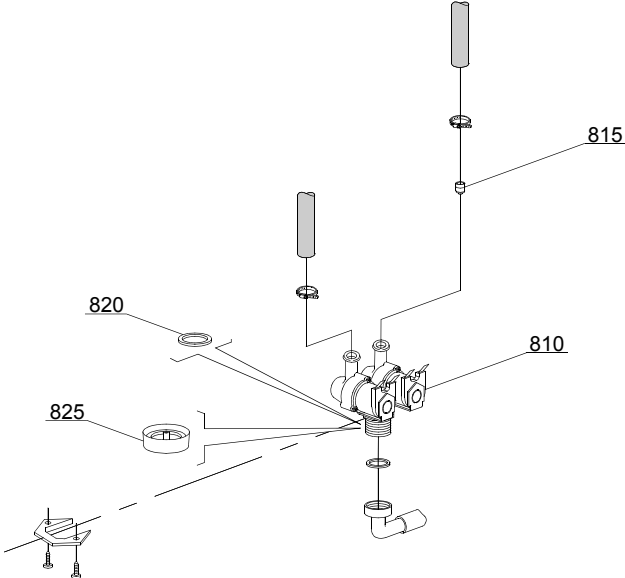
ID	P-code	Model	Type	Accessory	Voltage	Description
MODULE:Electric control ELEKTRO						
40750	50582		32ELK			"Elite""plug
40755	50581		32ELK			Touche sensitive "Elite"
40760	50584		32ELK			"Elite"water flow board
40765	50580		32ELK			"Elite"electronic timer+main board
40770	50583		32ELK			Water flow meter for ""Elite""board
40775	50562		32ELK			Temperature probe set
40780	540960		32ELK			ELEKTRON 400 Control Panel
40785	540106		32ELK			Silkscreen processed grill



05_002_e

Spare parts

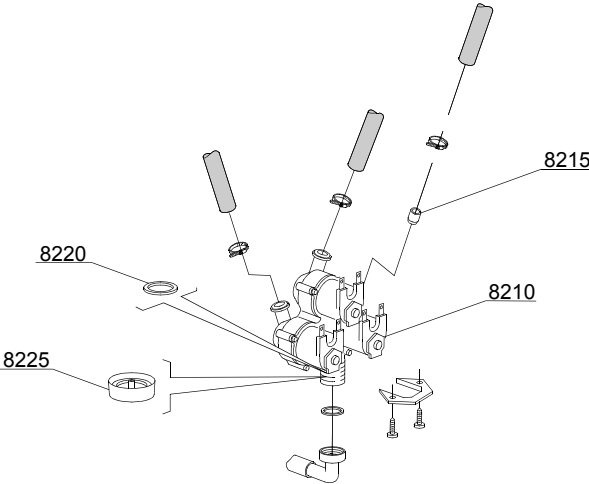
ID	P-code	Model	Type	Accessory	Voltage	Description
MODULE: Solenoid valve group						
700	10703		32ELK			Single solenoid valve
720	N.C.		32ELK			Pression reducing valve



05_003_e

Spare parts

ID	P-code	Model	Type	Accessory	Voltage	Description
MODULE:Solenoid valve group						
810	15098		32ELK	cr,ws		Double solenoid valve - Ø10
815	15115		32ELK	cr,ws		Green pression solenoid valve
820	N.C.		32ELK	cr,ws		Pression reducing valve

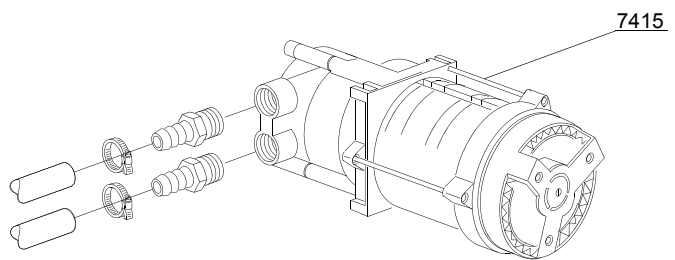
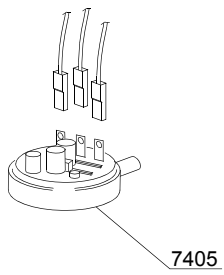
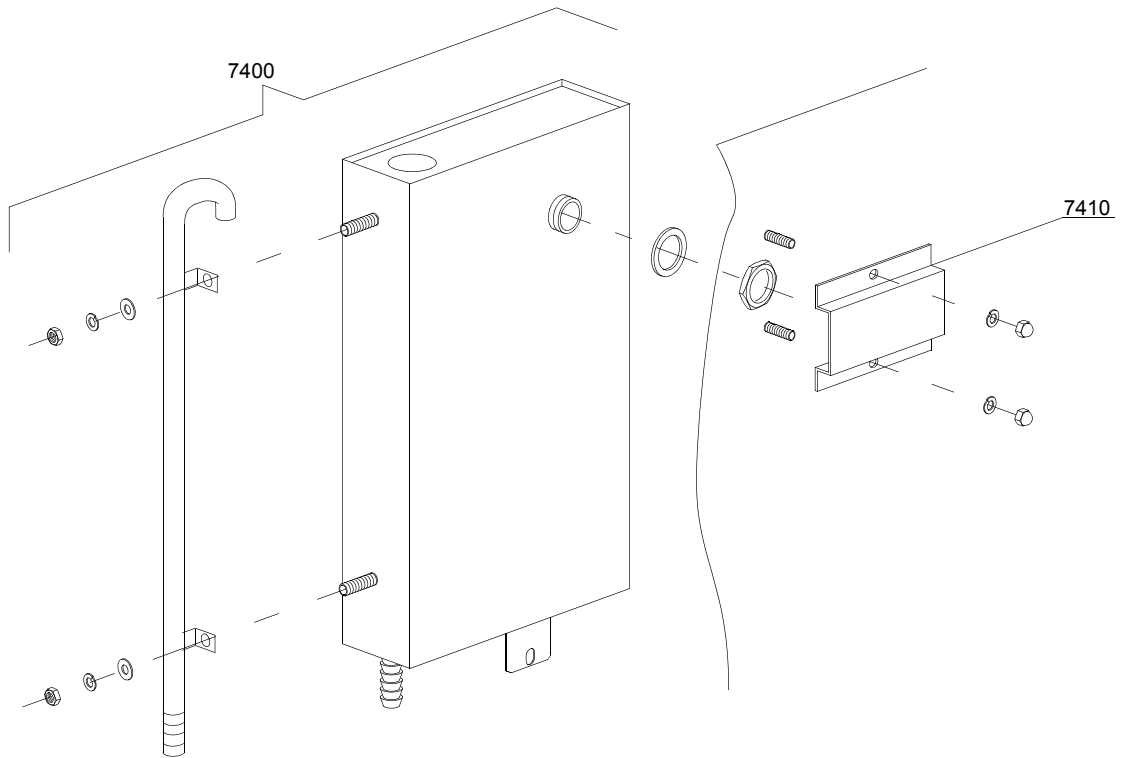


05_004_e

Spare parts

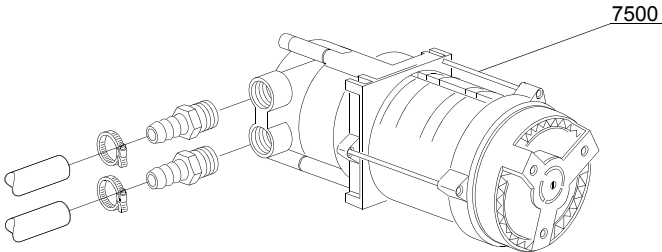
ID	P-code	Model	Type	Accessory	Voltage	Description
MODULE: Solenoid valve group						
8210	15099		32ELK	cr,ws		Triple solenoid valve
8215	15115		32ELK	cr,ws		Green pression solenoid valve
8220	N.C.		32ELK	cr,ws		Pression reducing valve

06_002_e



Spare parts

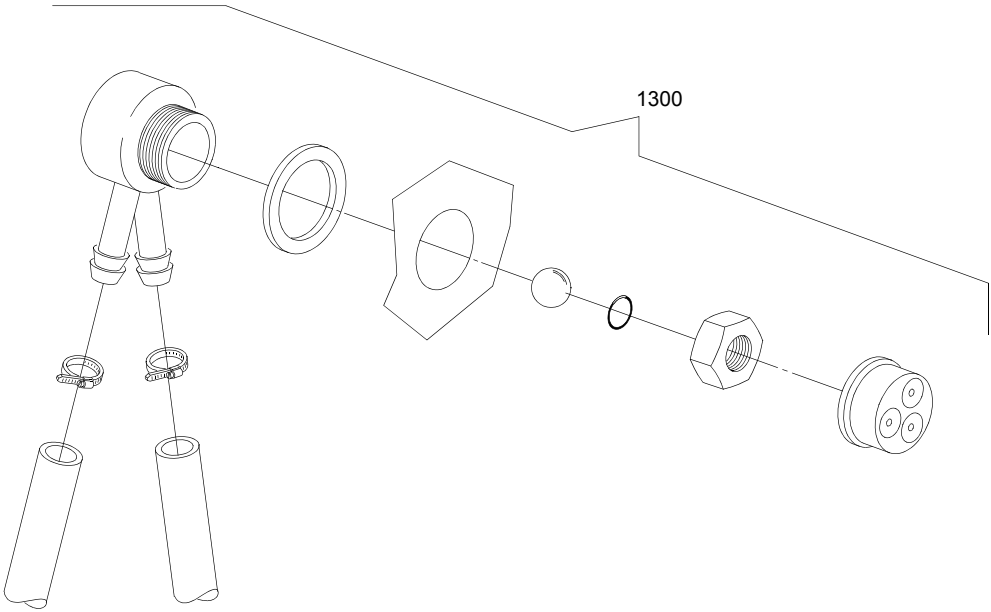
ID	P-code	Model	Type	Accessory	Voltage	Description
MODULE:Break Tank						
7400	15735		32ELK	bt		Break tank assembly
7405	10706/A		32ELK	bt		47-27 pressure switch
7410	15738		32ELK	bt		Overflow cover
7415	15100/D		32ELK	bt		Booster pump 220-240/50



07_003_e

Spare parts

ID	P-code	Model	Type	Accessory	Voltage	Description
MODULE:Booster pump						
7500	15100/D		32ELK	bp		Booster pump 220-240/50

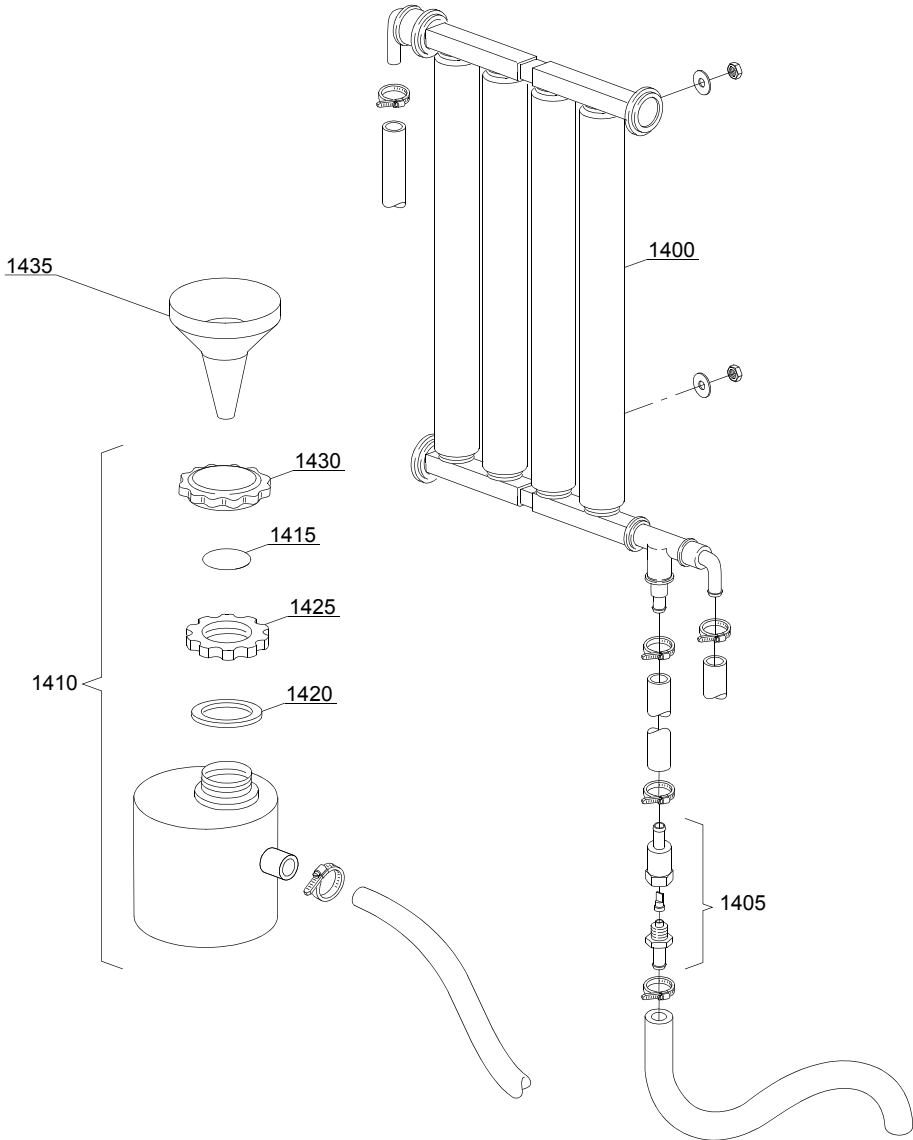


08_005_e

Spare parts

ID	P-code	Model	Type	Accessory	Voltage	Description
MODULE:DVGW						
1300	999900006		32ELK	dvgw		DVGW assembly

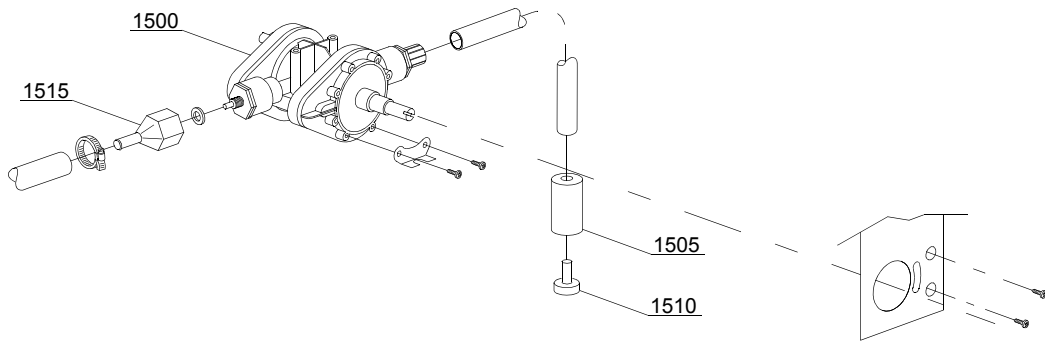
09_001_e



Spare parts

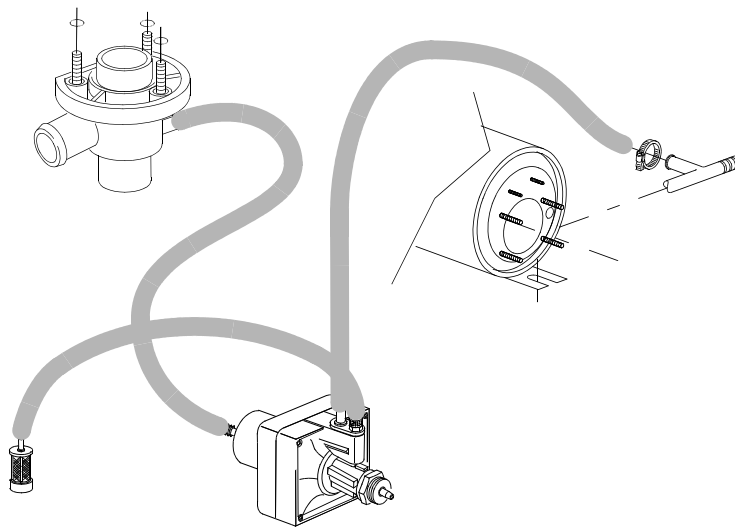
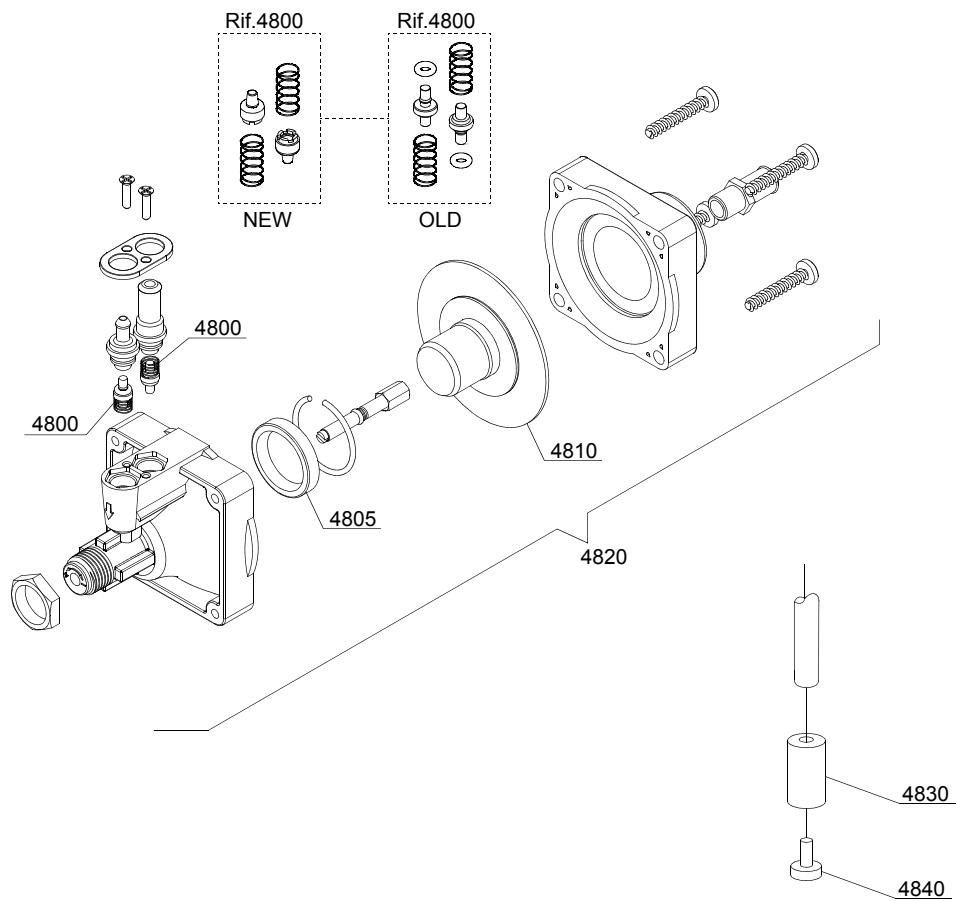
ID	P-code	Model	Type	Accessory	Voltage	Description
MODULE:Water softner group						
1400	16066		32ELK	ws		4 elements water softner
1405	16070		32ELK	ws		Nonreturn valve
1410	16065		32ELK	ws		Salt container
1415	16067/A		32ELK	ws		OR O-ring
1420	16067/B		32ELK	ws		O-ring
1425	16067/C		32ELK	ws		Ring nut
1430	16067/D		32ELK	ws		Plug
1435	16082		32ELK	ws		Funnel

10_002_e



Spare parts

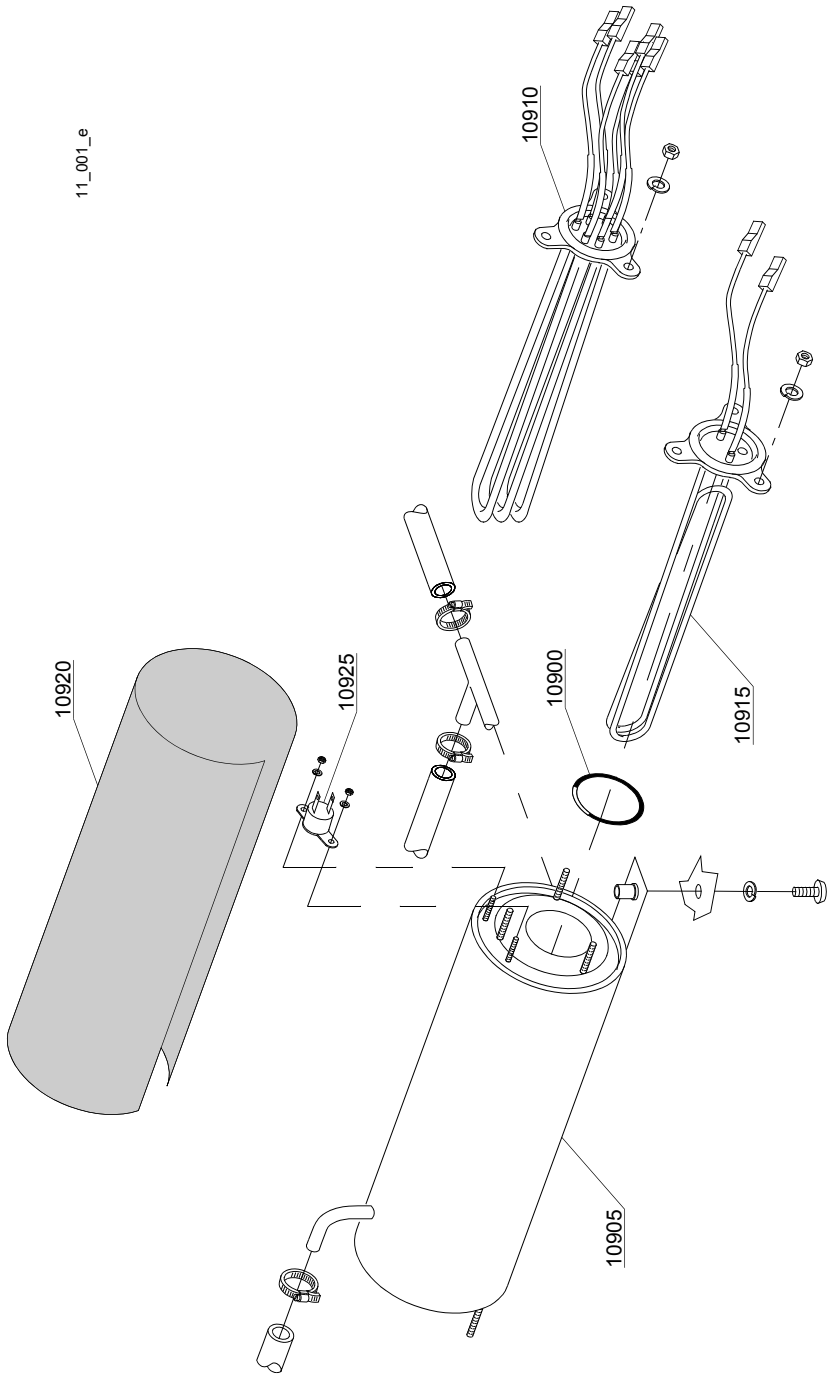
ID	P-code	Model	Type	Accessory	Voltage	Description
MODULE: Rinse aid dispenser group						
1500	10798		32ELK			Rinse aid dispenser
1505	12525		32ELK			Counter-weight
1510	15058		32ELK			Small filter
1515	10798/B		32ELK			Brass pipe fitting



10_004_e

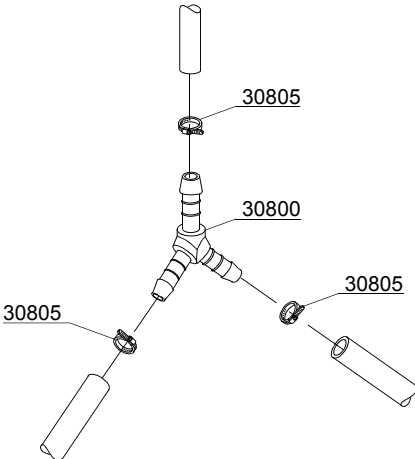
Spare parts

ID	P-code	Model	Type	Accessory	Voltage	Description
MODULE: Rinse aid dispenser group						
4800	10805		32ELK			Tecnopro non return valve
4805	10806		32ELK			Ø22 O-ring
4810	10807		32ELK			Membrane
4820	10799		32ELK			Rinse aid dispenser
4830	12525		32ELK			Counter-weight
4840	15058		32ELK			Small filter



Spare parts

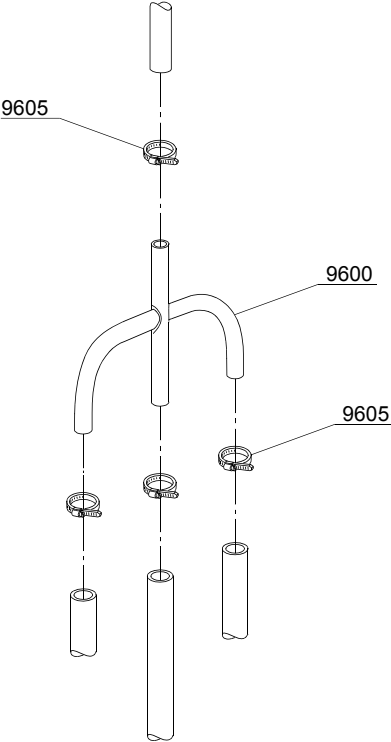
ID	P-code	Model	Type	Accessory	Voltage	Description
MODULE:Boiler group						
10900	13010		32ELK			OR O-ring
10905	540006		32ELK			Boiler
10910	18215		32ELK			4/4,36KW 230/240/3 heating element
10915	18206/D		32ELK			2,8/3,05KW 230/240V heating element
10920	540040		32ELK			Insulation boiler
10925	15550		32ELK			Safety thermostat



12_003ae

Spare parts

ID	P-code	Model	Type	Accessory	Voltage	Description
MODULE:3 ways connection						
30800	540090		32ELK	bt		Ø10 mm plastic 3 ways connection
30805	11807		32ELK			12/22 clamp

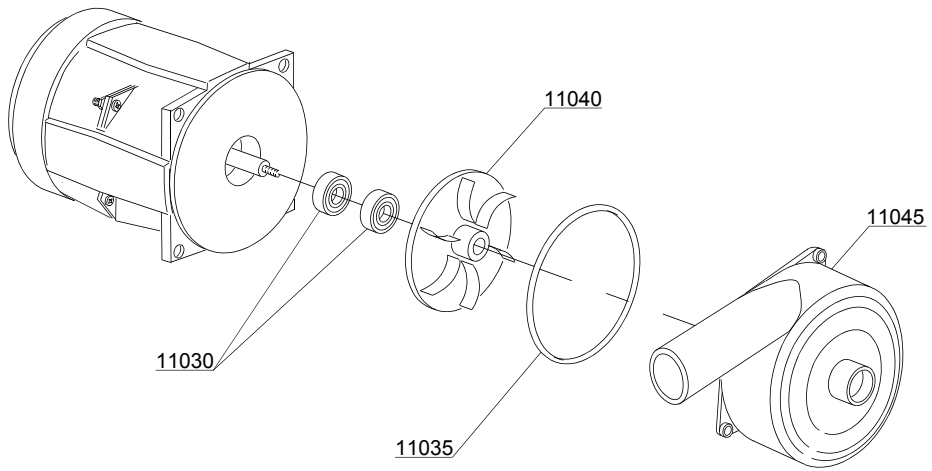
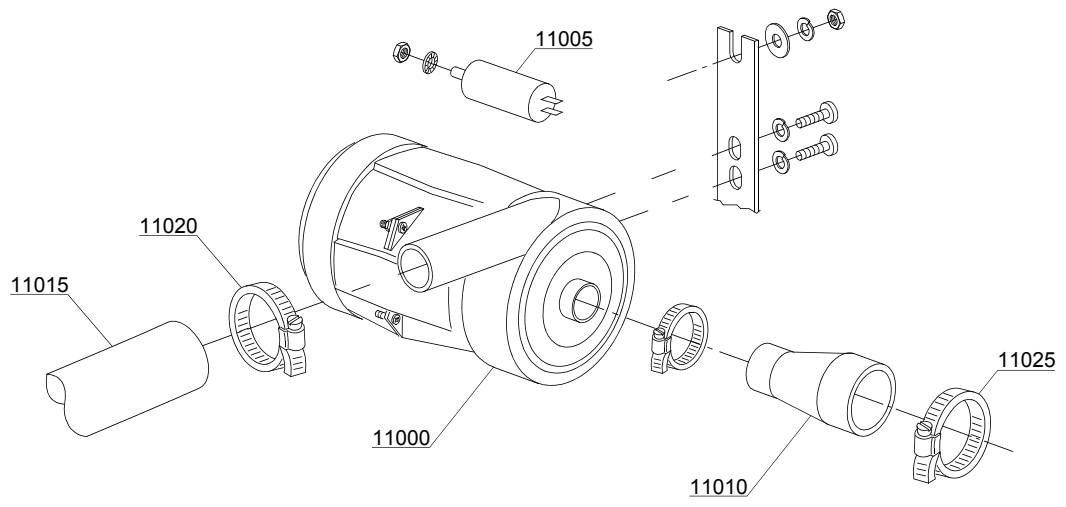


12_004_e

Spare parts

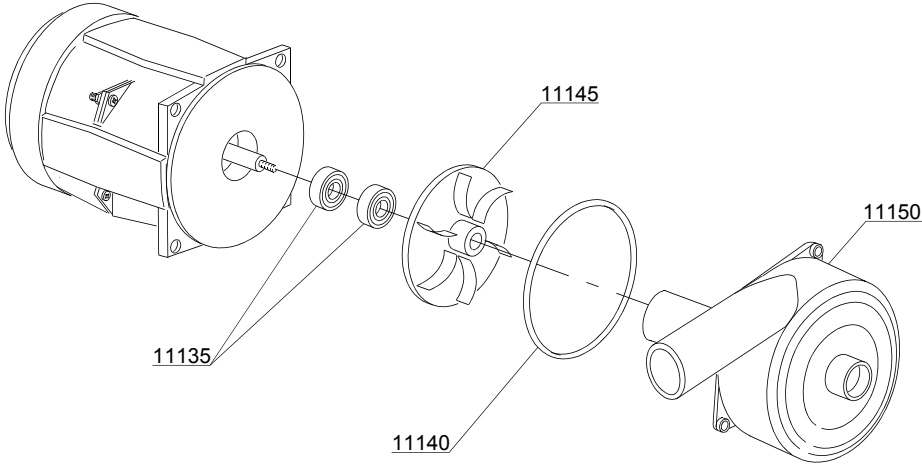
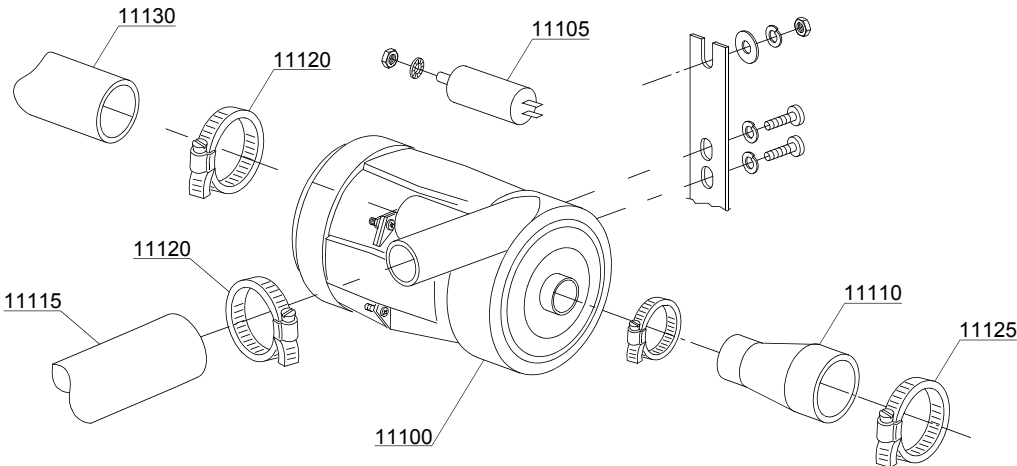
ID	P-code	Model	Type	Accessory	Voltage	Description
MODULE:4 ways connection						
9600	15151		32ELK	cr		Ø10 mm 4 ways connection
9605	11807		32ELK			12/22 clamp

13_001_e



Spare parts

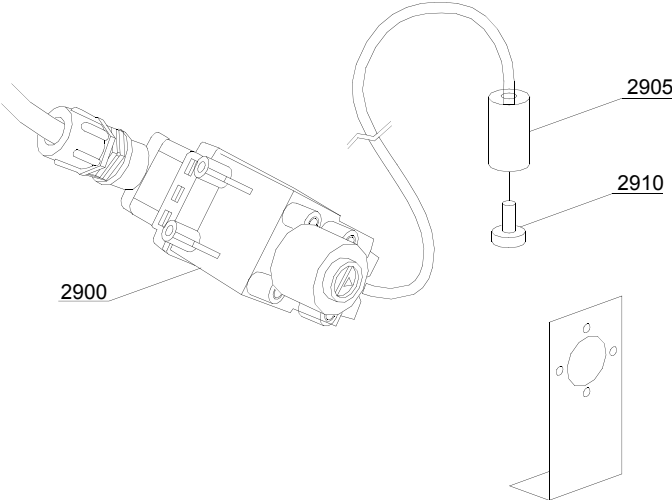
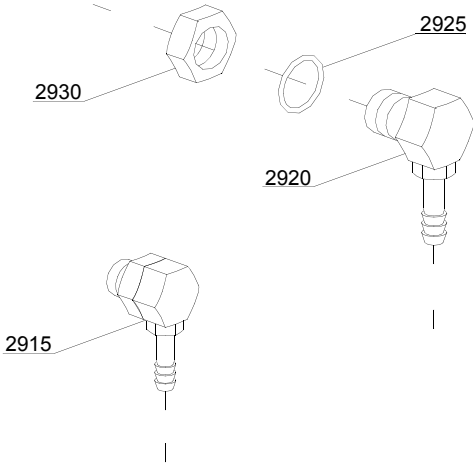
ID	P-code	Model	Type	Accessory	Voltage	Description
MODULE:Wash pump						
11000	18243		32ELK		A	0,33Hp wash pump
11005	18043		32ELK			10 uF condenser
11010	540005		32ELK			Suction pipe coupling
11015	16168		32ELK			Lower wash delivery pipe
11020	11806		32ELK			25/40 clamp
11025	11824		32ELK			50/70 clamp
11030	15080		32ELK			Rotating seals
11035	18245		32ELK			OR O-ring
11040	18246		32ELK			Pump rotor
11045	18248		32ELK			Scroll



Spare parts

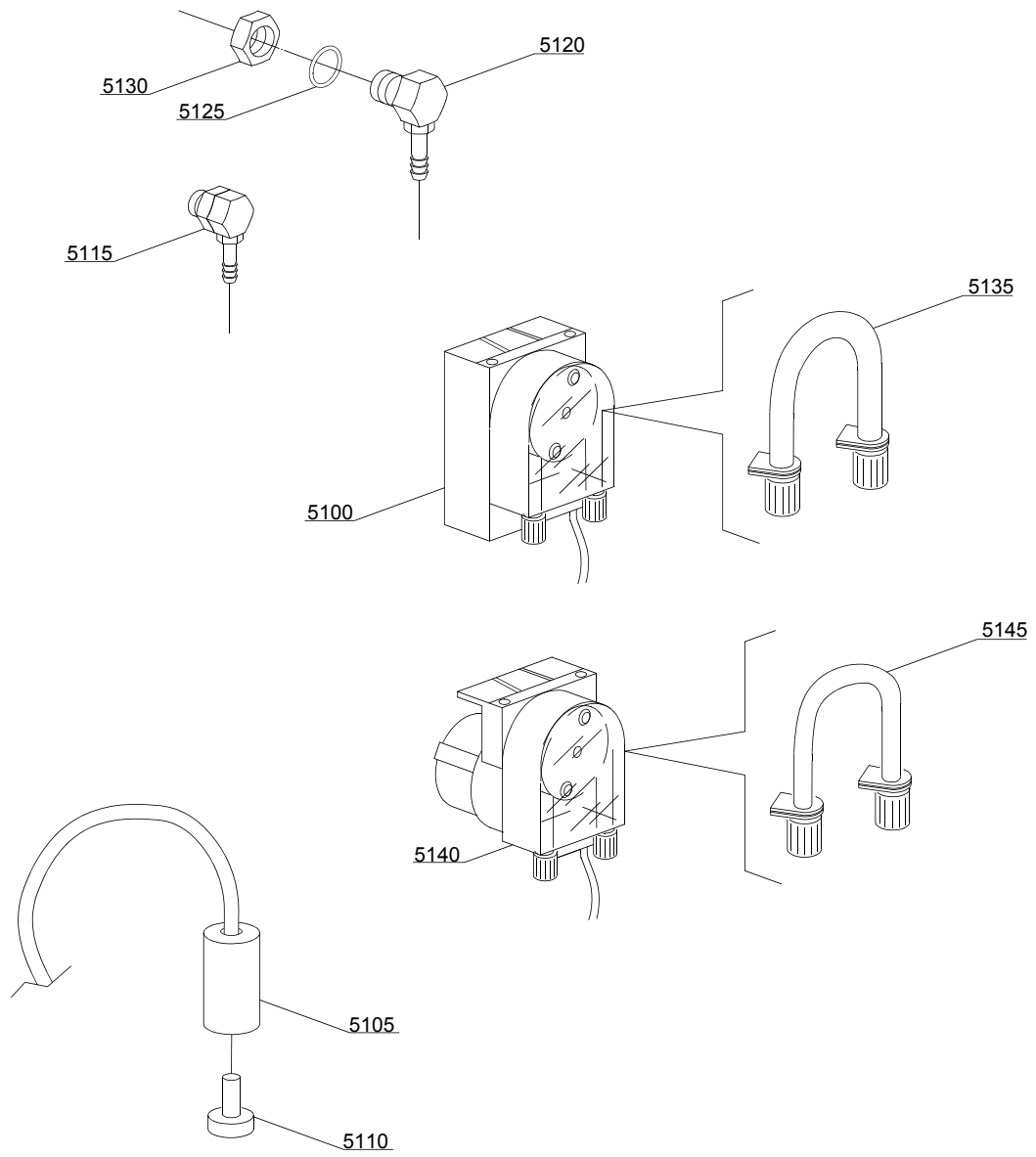
ID	P-code	Model	Type	Accessory	Voltage	Description
MODULE:Wash pump						
11100	18242		32ELK		A	0,30Hp wash pump
11100	18242/D		32ELK		A	0,30Hp 60Hz wash pump
11105	18043		32ELK			10 uF condenser
11110	540005		32ELK			Suction pipe coupling
11115	16168		32ELK			Lower wash delivery pipe
11120	11806		32ELK			25/40 clamp
11125	11824		32ELK			50/70 clamp
11130	540004		32ELK			Top delivery pipe
11135	15080		32ELK			Rotating seals
11140	18245		32ELK			OR O-ring
11145	18246		32ELK			Pump rotor
11150	18247		32ELK			Scroll

14_002_e



Spare parts

ID	P-code	Model	Type	Accessory	Voltage	Description
MODULE:Dosing detergent group						
2900	15108/L		32ELK	dd		Lang detergent pump
2905	12525		32ELK	dd		Counter-weight
2910	15058		32ELK	dd		Small filter
2915	15123		32ELK	dd		Compleat plastic injector
2920	15148		32ELK	dd		Steel injector
2925	15159		32ELK	dd		OR O-ring
2930	10200205		32ELK	dd		M12x1 stainless steel nut

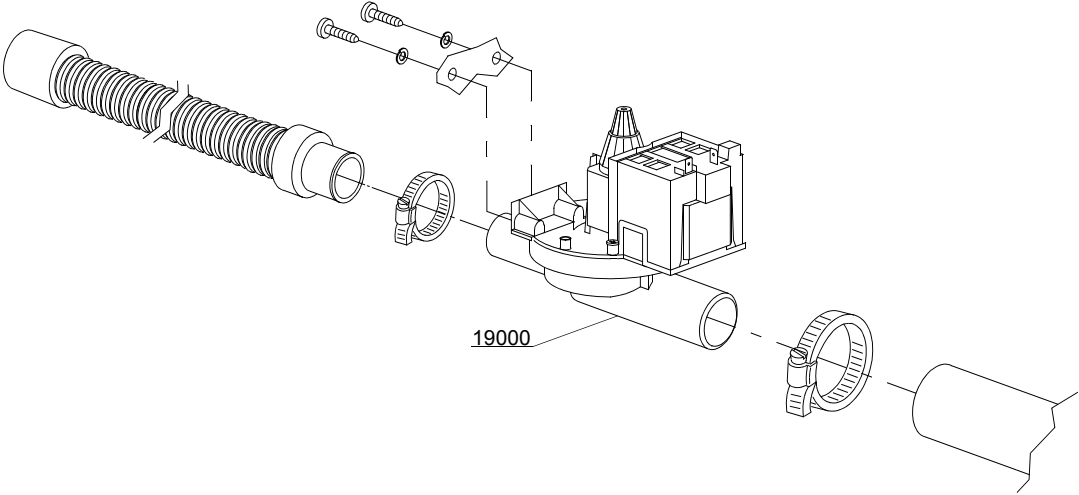


14_004_e

Spare parts

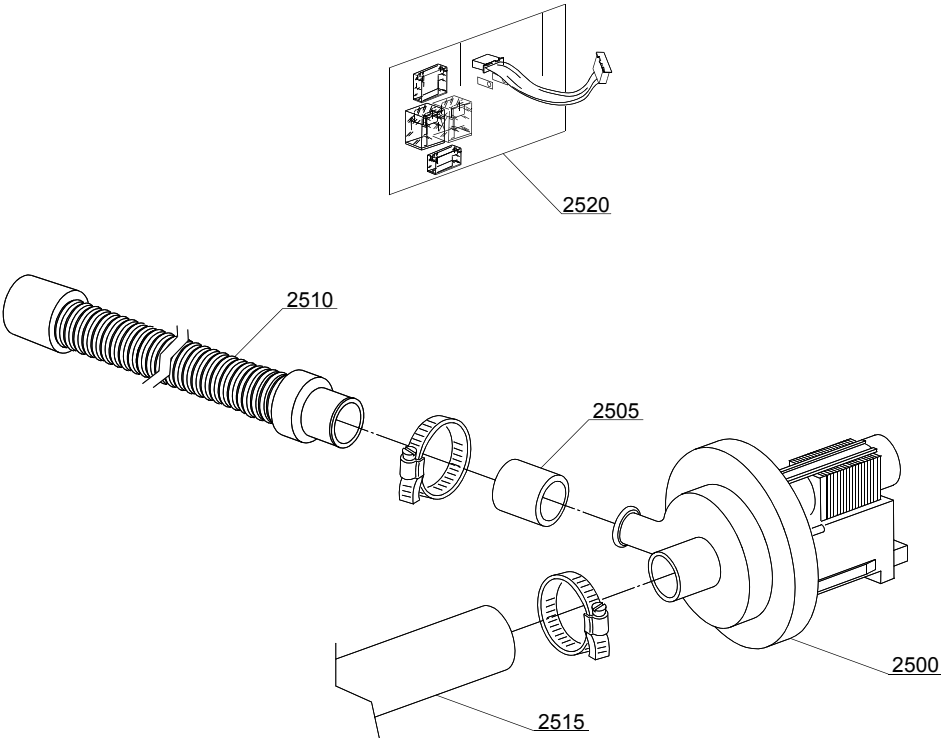
ID	P-code	Model	Type	Accessory	Voltage	Description
MODULE:Dosing detergent group						
5100	15985		32ELK	dd		Seko detergent pump
5105	12525		32ELK	dd		Counter-weight
5110	15058		32ELK	dd		Small filter
5115	15123		32ELK	dd		Compleat plastic injector
5120	15148		32ELK	dd		Steel injector
5125	15159		32ELK	dd		OR O-ring
5130	10200205		32ELK	dd		M12x1 stainless steel nut
5135	15185		32ELK	dd		Seko thermoplastic pipe
5140	15985		32ELK	dd		Germac detergent pump
5145	15108/E		32ELK	dd		Germac thermoplastic pipe

15_002_e



Spare parts

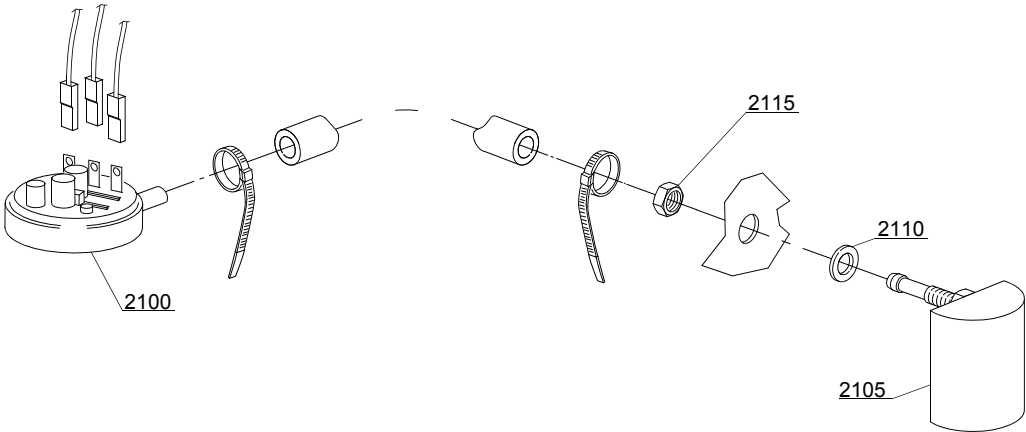
ID	P-code	Model	Type	Accessory	Voltage	Description
MODULE:Drain pump group						
19000	15101/A		32ELK	dp	A	Drain pump - 50Hz



15_004_e

Spare parts

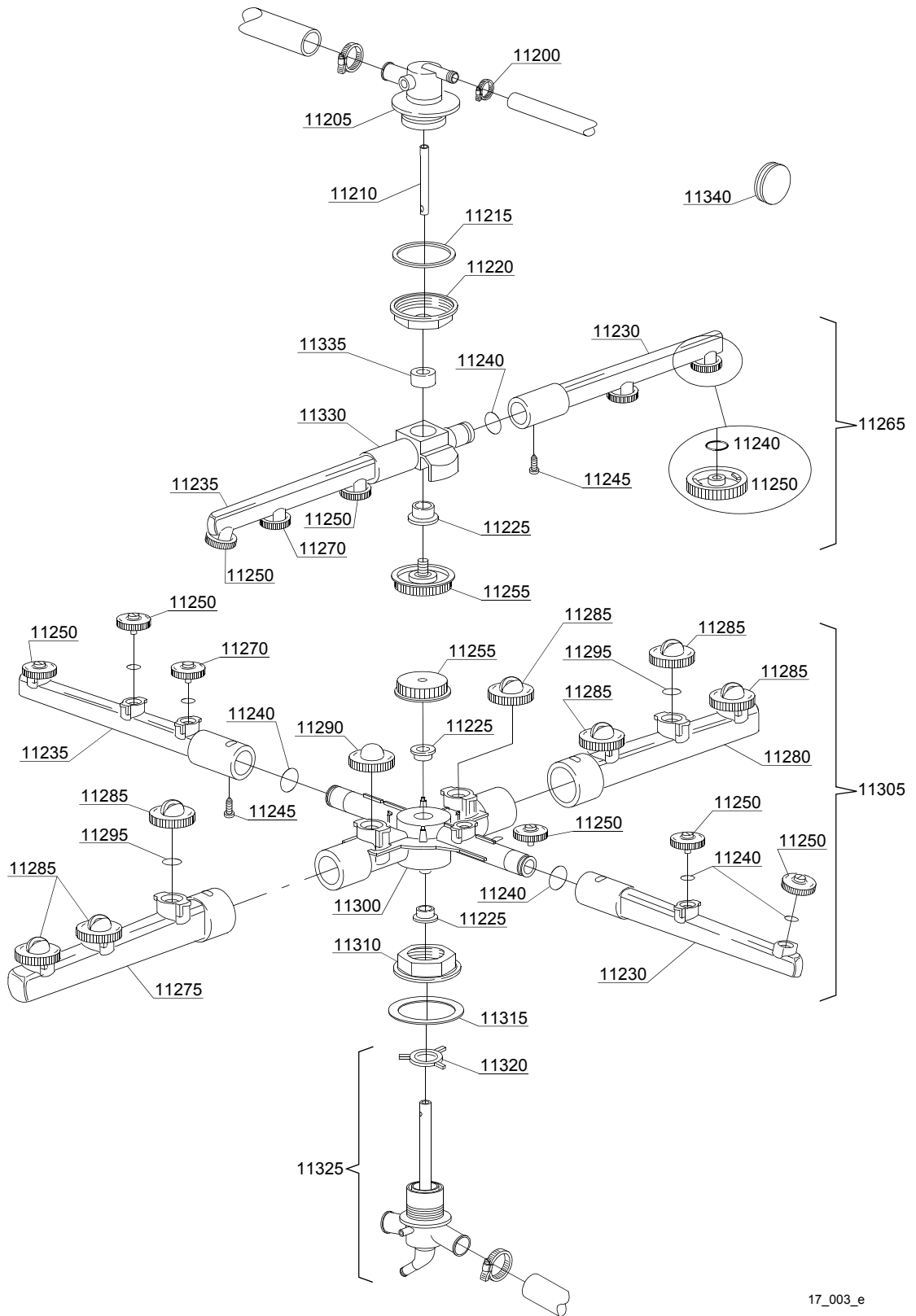
ID	P-code	Model	Type	Accessory	Voltage	Description
MODULE:Drain pump group						
2500	15101		32ELK	dp		Drain pump 220/240V 50Hz
2505	15101/D		32ELK	dp		Pipe fitting
2510	10727		32ELK	dp		Drain pipe
2515	18044		32ELK	dp		Ø28 top wash pipe
2520	50554		32ELK	dp		Electronic timer for Exp - Ps card



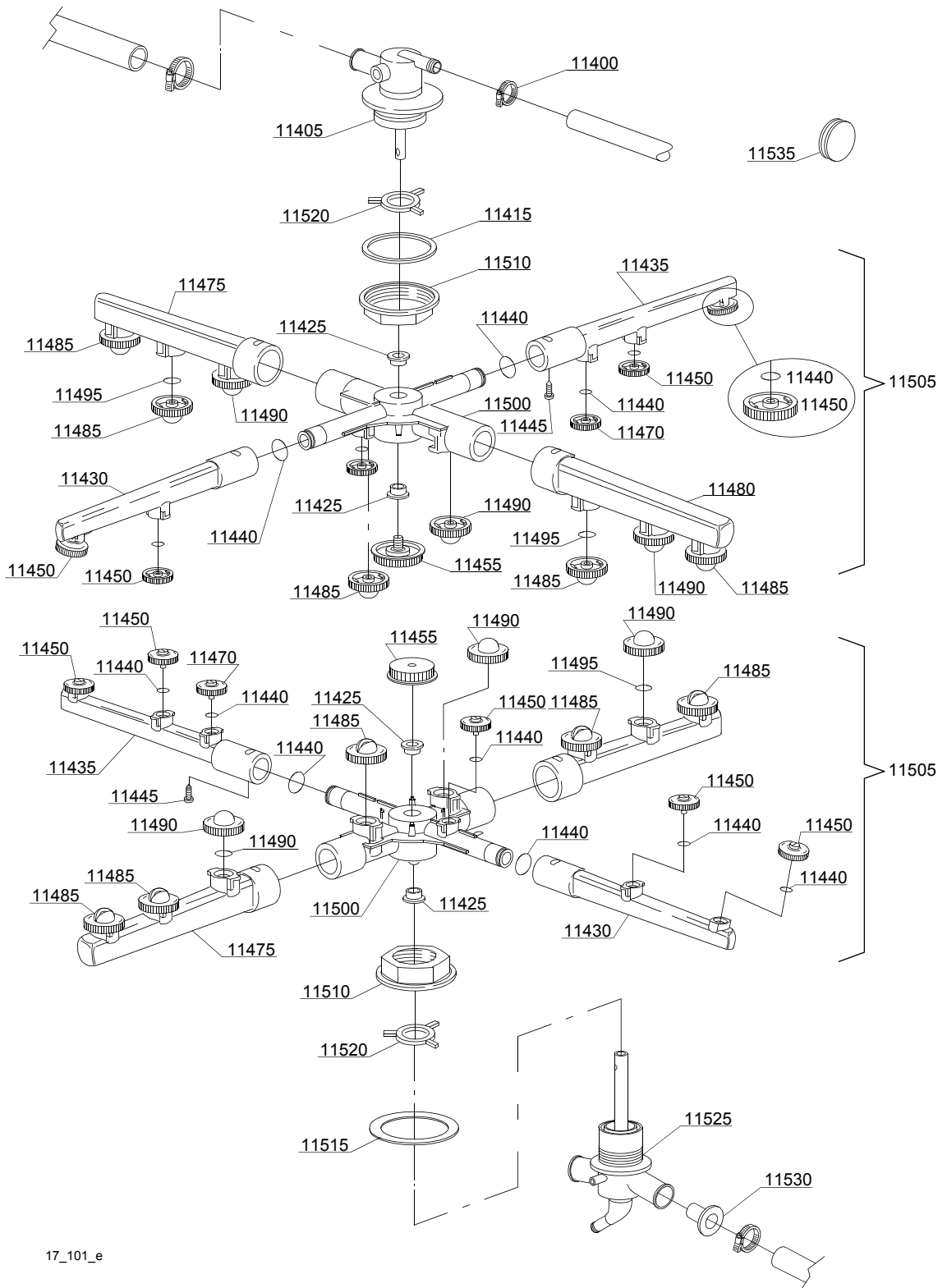
16_001_e

Spare parts

ID	P-code	Model	Type	Accessory	Voltage	Description
MODULE:Pressure switch group with air trap						
2100	10706/A		32ELK			47-27 pressure switch
2105	10911/B		32ELK			Air trap assembly
2110	13301		32ELK			O-ring
2115	11702		32ELK			M8 stainless steel nut



17_003_e



17_101_e

Spare parts

ID	P-code	Model	Type	Accessory	Voltage	Description
MODULE:Turret group with rotating arms						
11400	11807		32ELK			12/22 clamp
11405	540047		32ELK			Top turret assembly for rotor
11415	540032		32ELK			Ø57x43x1,5 plane O-ring
11425	13319		32ELK			Sliding washer
11430	10360		32ELK			Right rinse pipe
11435	10361		32ELK			Left rinse pipe
11440	13002		32ELK			OR R6 NBR O-ring
11445	11004		32ELK			4x10 TCB Ø8 spax toothed screw
11450	12537		32ELK			Opened head rinse nozzle
11455	10365		32ELK			Handle with insert
11470	12538		32ELK			Closed head rinse nozzle
11475	10355		32ELK			Right wash pipe
11480	10356		32ELK			Left wash pipe
11485	10366		32ELK			1,9 opened head wash nozzle
11490	10358		32ELK			Closed head wash nozzle
11495	13009		32ELK			OR 2050 NBR O-ring
11500	10364		32ELK			Wash rotor
11500	540013		32ELK			Wash rotor
11505	18995		32ELK			Lower wash/rinse group
11505	540995		32ELK			Top/lower wash/rinse group
11510	540010		32ELK			Turret fixing nut
11515	540034		32ELK			Ø57x43x4 turret plane O-ring
11520	10225		32ELK			Guide pipe
11525	540046		32ELK			Lower turret assembly for rotor
11530	18249		32ELK			Flux reducer
11530	12518		32ELK	ws		Flux reducer
11535	13316/A		32ELK			DVGW hole O-ring