

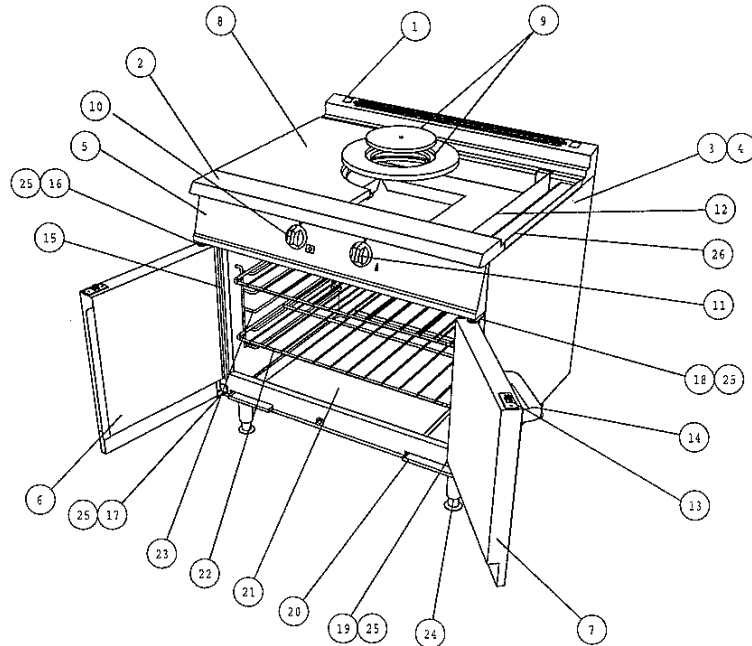
IF IN DOUBT ASK!!

DO NOT SCALE !!  
First Angle Projection



G2107EU SB FITMENTS

Part No	Spares No	Description
1	535480046	Rear Hob Rail
2	535480047	Front Hob Rail
3	535200000	Outer Side Panel - LH
4	535200001	Outer Side Panel - RH
5	535220000	Control Panel
6	535200003	L/H Door Assy
7	535200004	R/H Door assy
8	535400170	Hob Casting Set Complete
9	535400160	Hob Centre And Rng Set
10	535410022	Control Knob (Solid Top)
11	535480052	Control Knob (Oven)
12	535410017	Hob Burner Tray
13	535480054	Door Catch
14	535480055	Door Handle
15	535200005	Door seal
16	535200006	Top Door Hinge -LH
17	535200007	Bottom Door Hinge -LH
18	535200008	Top Door Hinge -RH
19	535200009	Bottom Door Hinge -RH
20	535200010	Oven Drip Tray
21	535200011	Oven Bottom Plate
22	535480064	Oven Shelf
23	535200012	Oven Shelf Hanger
24	535480067	Adjustable Leg
25	535480077	Door Hinge Bush
26	535410018	Hob Side Drip Shed
27	535200013	Door Catch Keeper (Not Shown)



All dimensions in millimetres. Tolerance- Linear  $\pm 0.5mm$  Angular  $\pm 0.5^\circ$  (or as stated). All sharp edges to be removed from sheet metal parts.

CLEARED FOR PRODUCTION



Drawn	I. HAMILTON	Product	G2107EU SB RANGE	
Date	05-02-07	Title	SPARES DIAGRAM - FITMENTS	
Scale	N.T.S			
Matl.		Drawing Number	AA45385	
No. off		Finish		
Bin No.		Kraus No.		

Issue	Mod No.	Alteration	Zone	Drawn by	Date

© No reproduction or publication of this drawing may be made and no article may be manufactured or assembled in accordance with this drawing without prior written consent. This prohibition is a term of any contract relating to this drawing. Rights reserved under the Copyright Act 1956 as amended by the Design Copyright Act 1958.

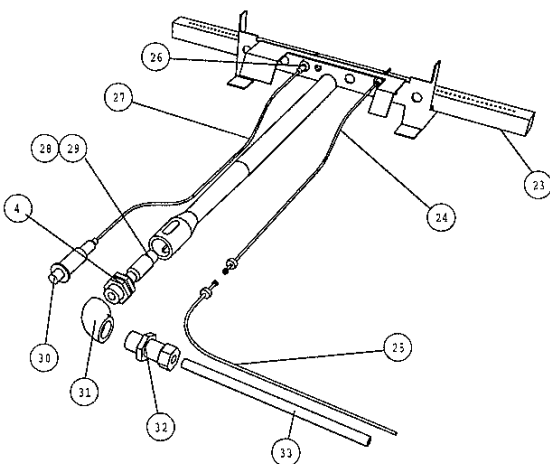
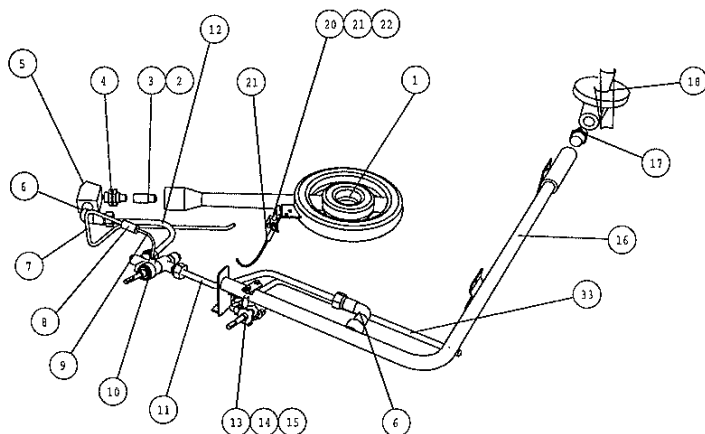
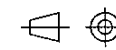
This part is common to the following units

Falcon Foodservice Equipment. Wallace View Hillfoots Road Stirling Scotland

IF IN DOUBT ASK!!

DO NOT SCALE !!

First Angle Projection



G2107EU SB CONTROLS

Part No	Spares No	Description
1	535410001	Solid Top Burner
2	535410006	Solid Top Injector (Nat)
3	535410007	Solid Top Injector (Prop)
4	535480035	Injector Adaptor
5	535410002	Injector Block
6	535410008	Elbow
7	535410011	Reducer - Pilot Pipe
8	535410012	Pilot Pipe Reducer
9	535410010	Tap-ReducerPilot Pipe
10	535410005	Solid Top Burner Control
11	535410003	Solid Top Tap Feed Pipe
12	535410004	Solid Top Burner Feed Pipe
13	535400110	Oven Thermostat
14	535480023	Nat Gas By-pass Screw 0.85
15	535480024	Propane By-pass Screw 0.55
16	535410020	Float Rail
17	535480016	"3/4"" Fitting"
18	535480015	Governor
19	535410016	Solid Top Thermocouple
20	535410013	Pilot Assembly
21	535410014	Pilot Orifice (Nat)
22	535410015	Pilot Orifice (Prop)
23	535480031	Oven Burner
24	535400180	Oven Thermocouple
25	535400120	Extention Thermocouple
26	535480033	Oven Ignition Electrode
27	535480034	Oven Ignition Lead
28	535480036	Oven Burner Injector (Nat) 2.3
29	535480037	Oven Burner Injector (Prop)
30	535480040	Oven Igniter
31	535480041	Elbow For Injector Adaptor
32	535480042	Oven Pipe Coupling
33	535480043	Oven Feed Pipe

Conversion Kit - Nat Gas to Propane - 535220001  
 Conversion Kit - Propane to Nat Gas - 535220002

All dimensions in millimetres, Tolerance- Linear  $\pm 0.5mm$  Angular  $\pm 0.5^\circ$  (or as stated). All sharp edges to be removed from sheet metal parts.

CLEARED FOR PRODUCTION



Drawn	I. HAMILTON	Product	G2107EU SB RANGE	
Date	05-02-07	Title	SPARES DIAGRAM - CONTROLS	
Scale	N.T.S			
Matl.		Drawing Number	AA45386	Issue
No. off		Finish		A
Bin No.		Kraus No.		

Issue	Mod No.	Alteration	Zone	Drawn by	Date

No reproduction or publication of this drawing may be made and no article may be manufactured or assembled in accordance with this drawing without prior written consent. This prohibition is a term of any contract relating to this drawing. Rights reserved under the Copyright Act 1956 as amended by the Design Copyright Act 1966.

This part is common to the following units

Falcon Foodservice Equipment. Wallace View Hillfoots Road Stirling Scotland