



IF 26

LIST OF THE EXPLODED VIEWS



SHELL ASSY

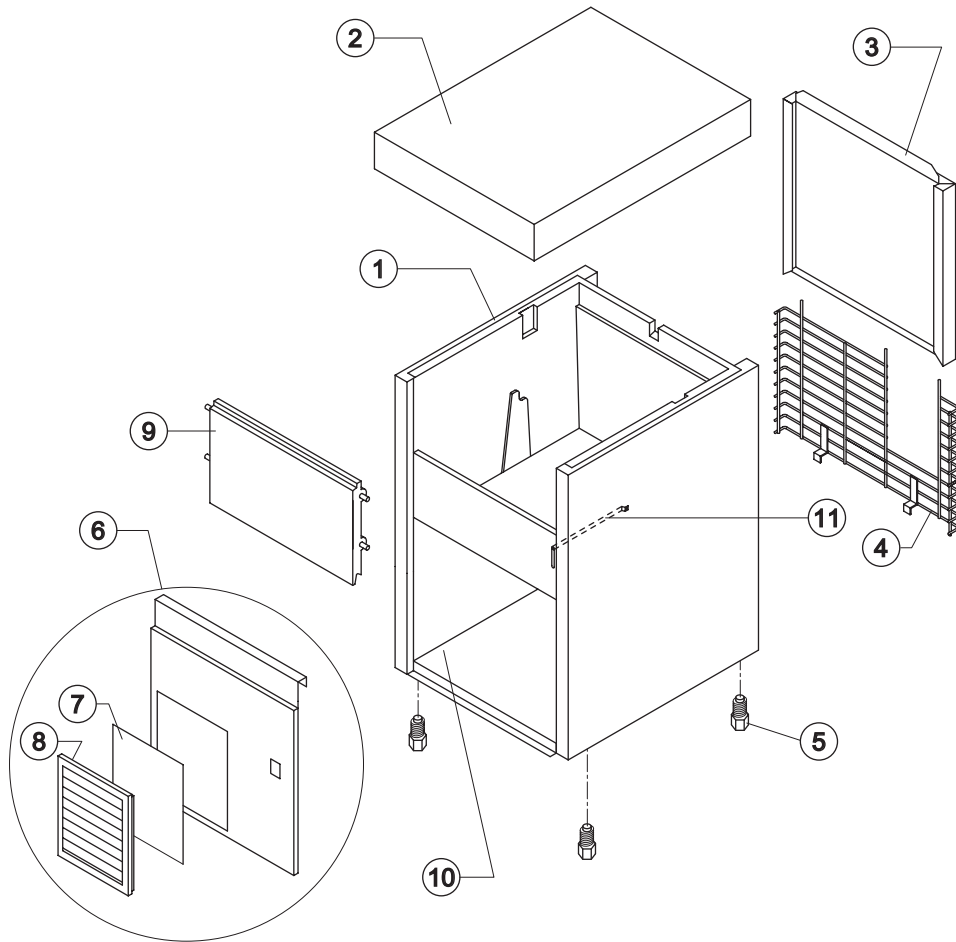
COOLING SYSTEM

HYDRAULIC CIRCUIT

EVAPORATOR SUPPORT

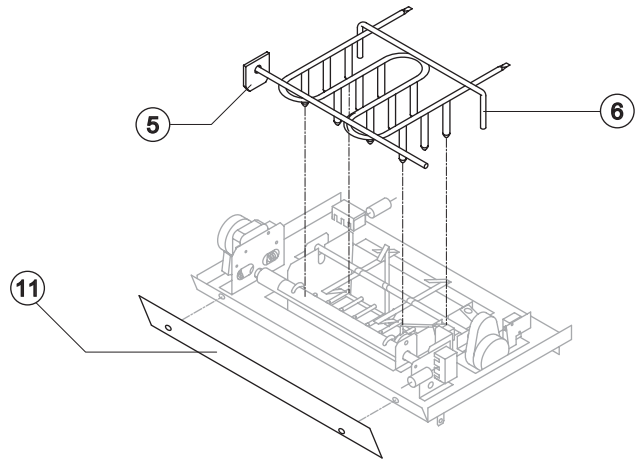
ELECTRIC PARTS

Rev. 5 -01/08/2005



Ref.	Spare Description	Code	
1	Foamed Cabinet Assy	C11046/E	
2	Top Assembly	C22282	
3	Rear Panel Assembly	C26481	
4	Rear Grid	D12002	
5	Foot	10017	
6	Front Grid Panel	Current Version	C22502
6	Front Panel	Till s/n. 29580	22004
7	Filtering Panel		18106
8	Frame + Grid & Filter		C10205
9	Door Assy		C10303
10	Base Plate		21001
11	Bulbe-holder Pipe		20520

Rev. 5 -01/08/2005



Common Parts

Ref.	Spare Description	Code
3	Molecular Drier	14009
5	Upright	22253
6	Evaporator	D14167
7	Compressor	23436
8	Vacuum-Charge Valve Plug	14006
9	Vacuum-Charge Valve Device	14005
10	Vacuum-Charge Valve Body	14007
11	Protection Plate	10432
12	Hot Gas Valve Coil	23091
13	Hot Gas Valve Body	20410

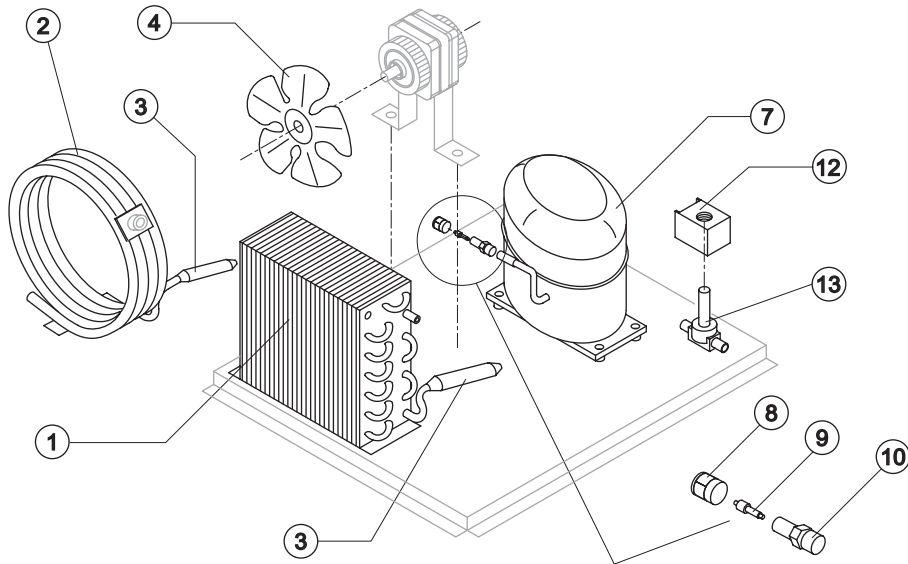
Parts for Air-Cooled Version Only

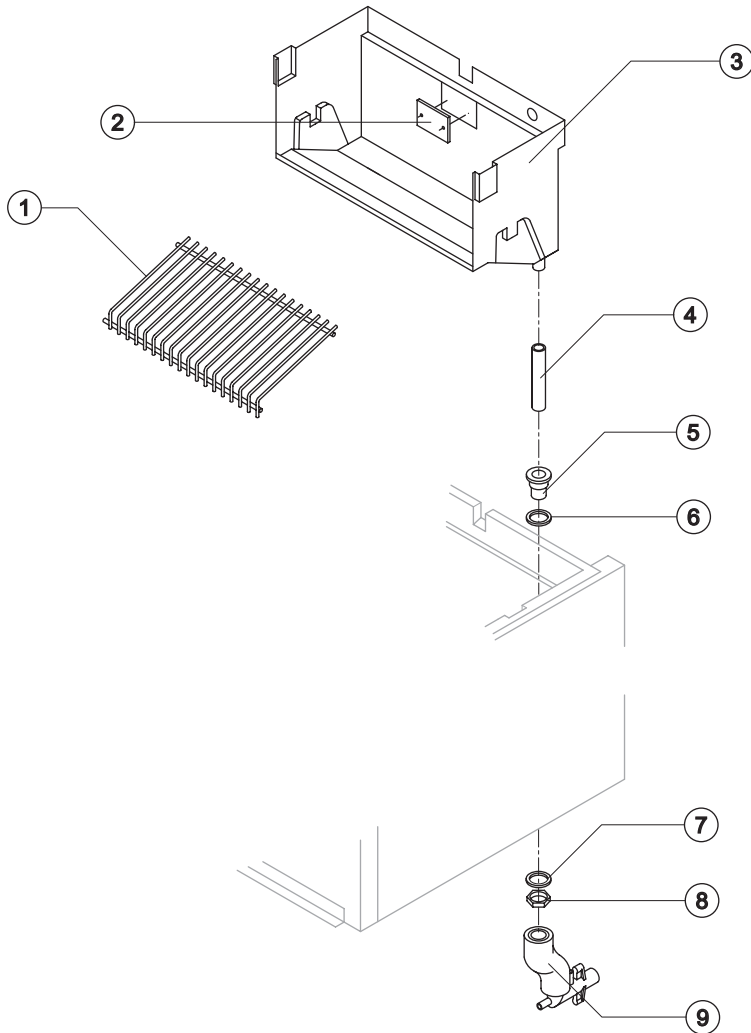
Ref.	Spare Description	Code	
1	Air Condenser	Current Version	20534
1	Air Condenser	Till s/n. 104854	20069
4	Sucking Fan		20095

Parts for Water-Cooled Version Only

Ref.	Spare Description	Code	
2	Water Condenser		14002
4	Sucking Fan	Till s/n. 232332	10213

Rev. 5 -01/08/2005





Common Parts

Ref.	Spare Description	Code
1	Ice Cubes Slide	D12044
2	Slide Keep Plate	10009
3	Inner Basin	10254
4	Overflow Pipe	Current Version 13105
4	Overflow Pipe	Till s/n. 65246 13064
5	Water Outlet Nipple	10472
6	Silicone Gasket	13006
7	Semirigid Polyethylene Gasket	13007
8	Bin Discharge Nut	10096

Parts for Air-Cooled Version Only

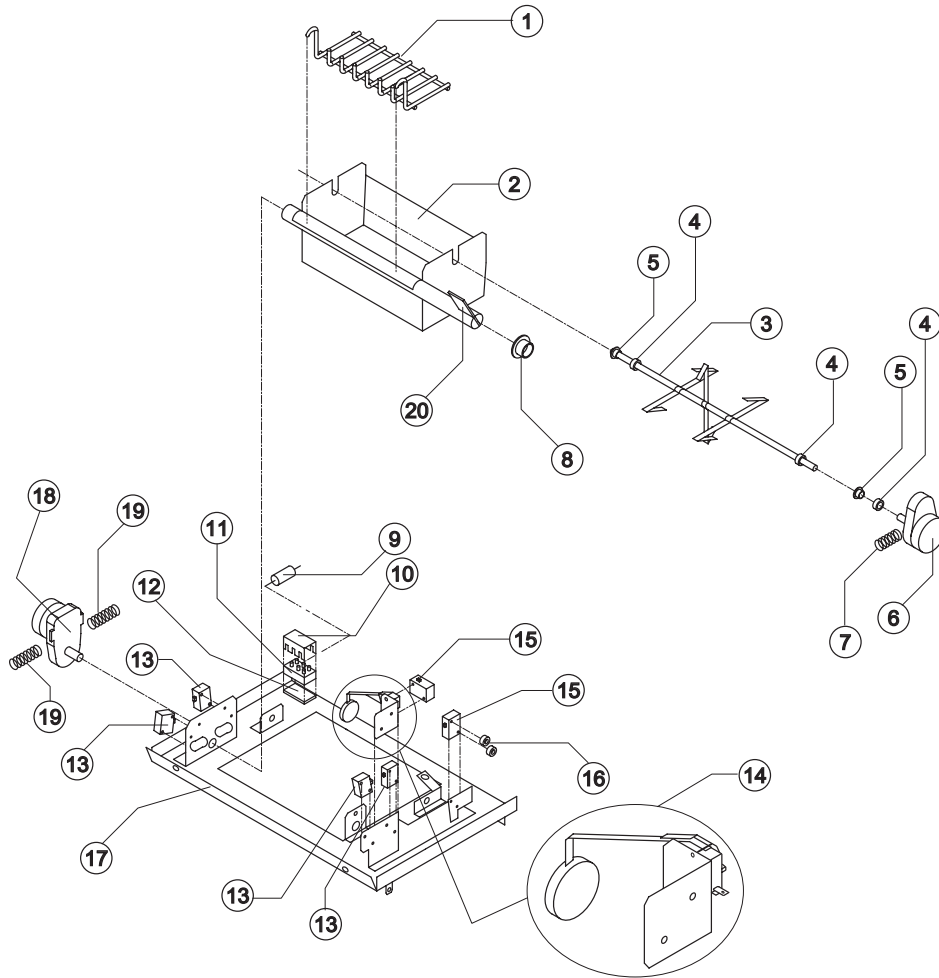
Ref.	Spare Description	Code
9	Discharges Manifold	C10006

Parts for Water-Cooled Version Only

Ref.	Spare Description	Code
9	Discharges Manifold	C26452

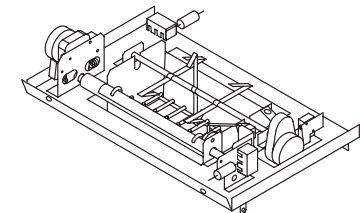


Rev. 5 -01/08/2005



Ref.	Spare Description	Code
1	Internal Basin Slide	D12045
2	Water Basin with Pin	C22285
3	Shaft with Paddles	20258
4	Shaft Stop Ring	20227
5	Self-Lubricating Bush 06/06	20230
6	Gearmotor (Paddles)	23194
7	Spring (Support Gearmotor)	20228
8	Self-Lubricating Bush 12/07	20231
9	Capacitor 0,12 µF - 1000 V	23318
10	Terminal Block Cover	23250
11	Terminal Block	23249
12	Terminal Block Spacer	10143
13	Microswitch (normally closed)	23196
14	Working Kit for the Floating Micro	C26562
15	Microswitch (normally open)	23372
16	Switch Shimming Ring	10250
17	Evaporator Support Plate	22283
18	Gearmotor (Turnover Basin)	23195
19	Spring (Support Gearmotor)	20232
20	Micro-Finger Connecting Link	22258

! The Complete Evaporator Support Plate has to be requested, making reference to the Code C22283.





IF 26

ELECTRIC PARTS

Common Parts

Ref.	Spare Description	Code
3	Anti-Radio Interference Filter	C23458
5	Condenser Pressure Switch	23175
6	Bin Thermostat	R23005
8	Relay	23190
9	Green Light Switch (On-Off)	23327

Parts for Air-Cooled Version Only

Ref.	Spare Description	Code
1	Fan Motor	23029
7	Anti Radio Interference Filter	C23459
12	1Way- Water Inlet Valve	23001

Parts for Water-Cooled Version Only

Ref.	Spare Description	Code
1	Fan Motor	Till s/n. 232332 23029
7	Anti Radio Interference Filter	Current Version C23457
7	Anti Radio Interference Filter	Till s/n. 232332 C23459
10	Safety Thermostat Switch	C23114
11	2 Ways- Water Inlet Valve	23502

Rev. 5 -01/08/2005

