

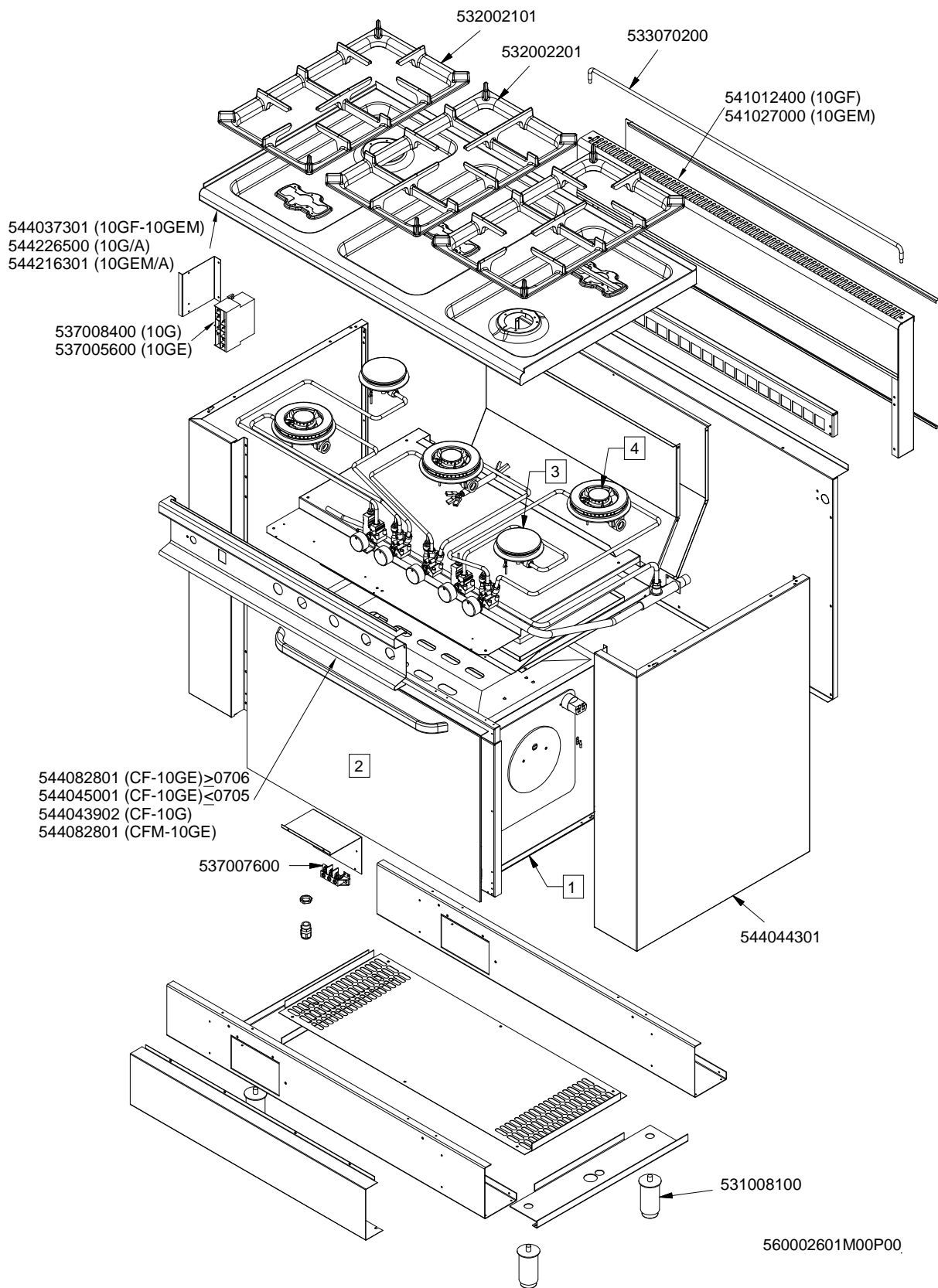
# MAGIC SNACK 60

CUCINE / RANGES / HERDE / CUISINIÈRES / N° 20310

CF-10

## CF-10GF CF-10G/A CF-10GEM CF-10GEM/A CFM-10GEM CFM-10GEM/A

|   | 1CF-10GE | 1CFM-10GE | 1CF-10G | 2   | 3   | 4   |
|---|----------|-----------|---------|-----|-----|-----|
| Vedi Pagina<br>See Page<br>Siehe Seite<br>Voir Page<br>Ver Pàgina | 120      | 122       | 124     | 126 | 133 | 134 |

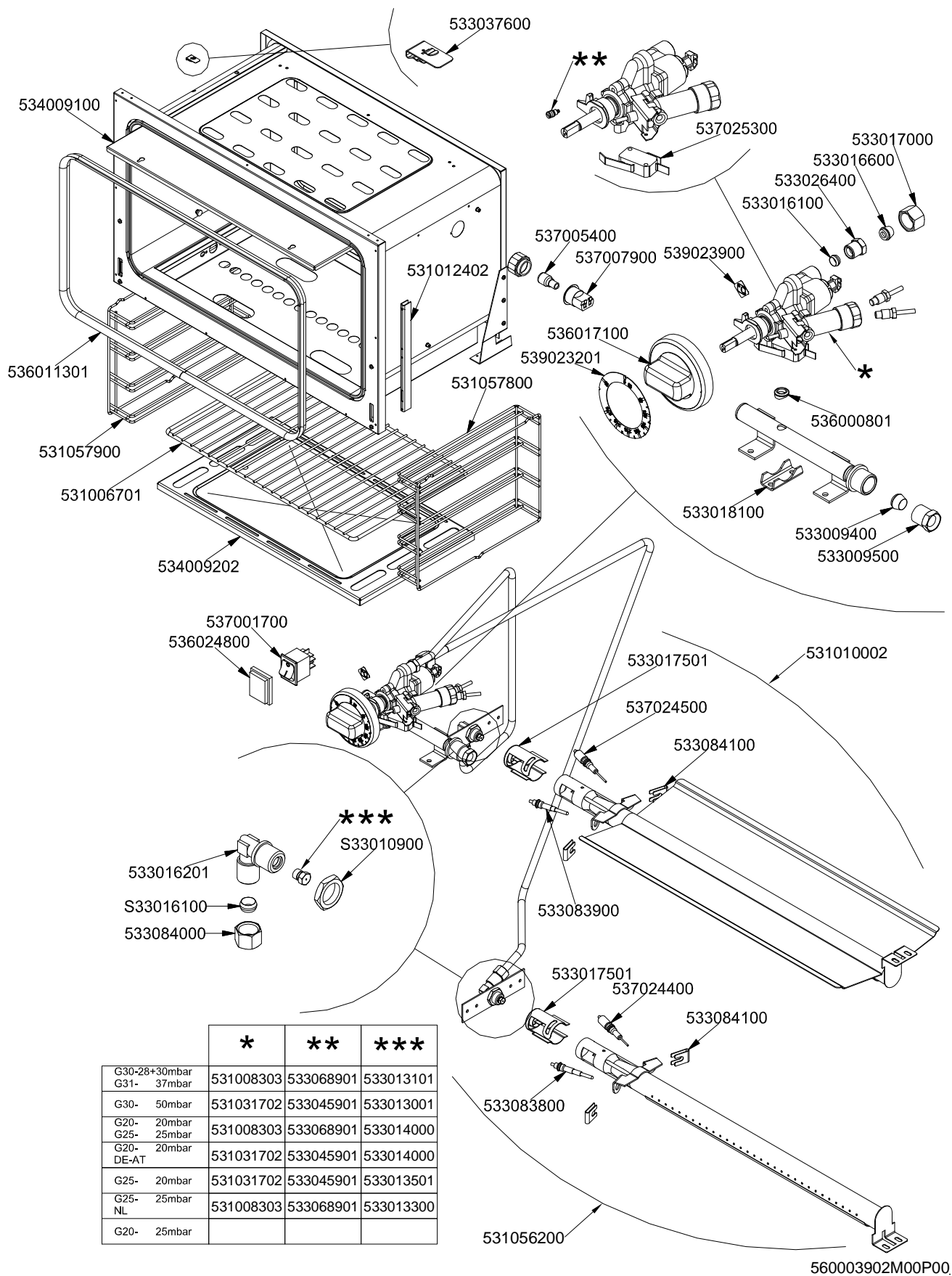


# MAGIC SNACK 60

CUCINE / RANGES / HERDE / CUISINIÈRES / N° 0310

FORNO / OVEN / BACKOFEN / FOUR / CF-8 10 10/6

GAS / GAS / GAS / GAZ ≥ 0706



|                              | *         | **        | ***       |
|------------------------------|-----------|-----------|-----------|
| G30-28+30mbar<br>G31- 37mbar | 531008303 | 533068901 | 533013101 |
| G30- 50mbar                  | 531031702 | 533045901 | 533013001 |
| G20- 20mbar<br>G25- 25mbar   | 531008303 | 533068901 | 533014000 |
| G20- 20mbar<br>DE-AT         | 531031702 | 533045901 | 533014000 |
| G25- 20mbar                  | 531031702 | 533045901 | 533013501 |
| G25- 25mbar<br>NL            | 531008303 | 533068901 | 533013300 |
| G20- 25mbar                  |           |           |           |

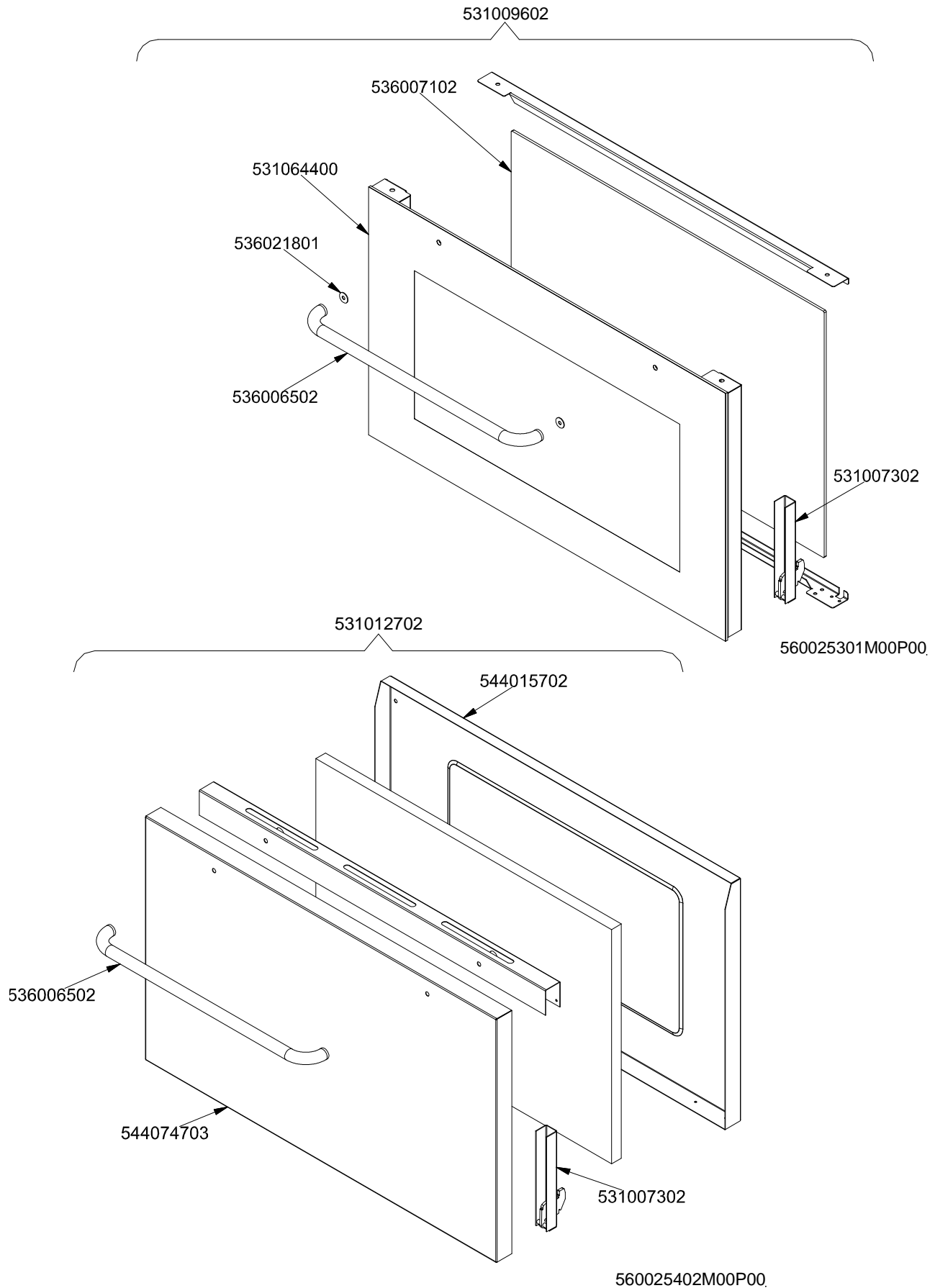
560003902M00P00

# MAGIC SNACK 60

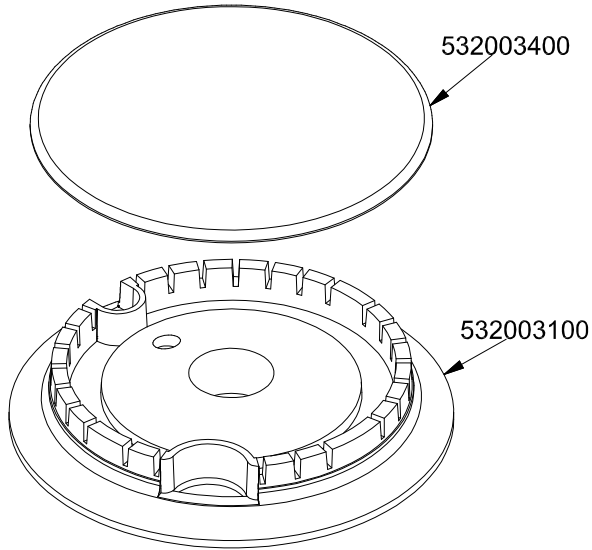
CUCINE / RANGES / HERDE / CUISINIÈRES / N° ≥ 0310

FORNO / OVEN / BACKOFEN / FOUR / CF-8 10 10/6

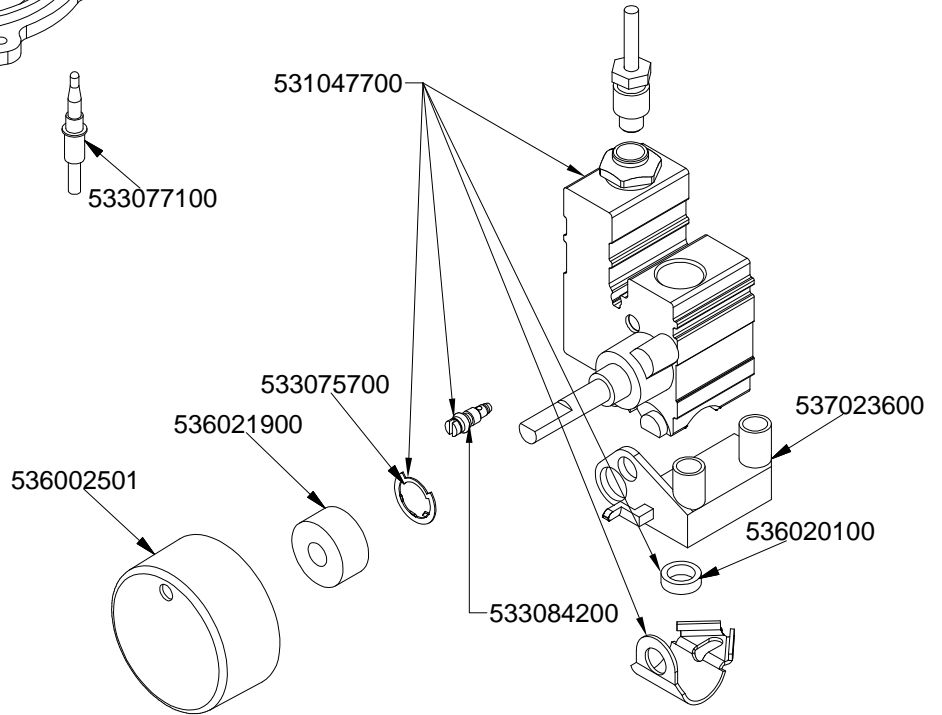
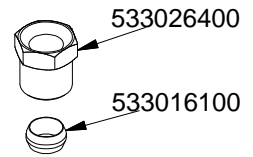
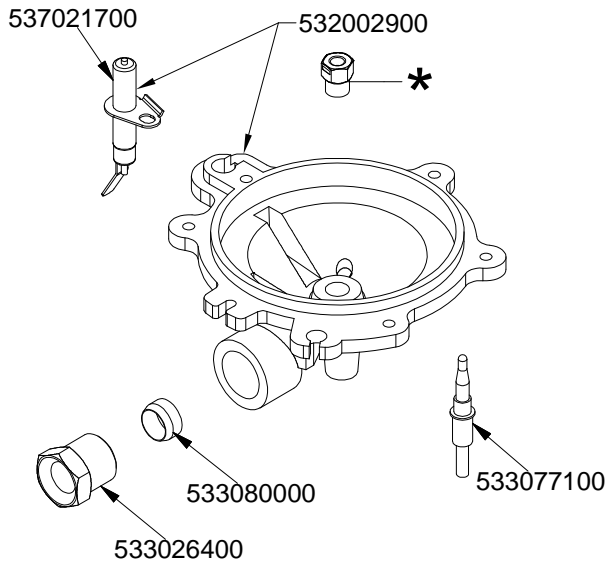
PORTE / DOORS / TÜREN / PORTES ≥ 0706



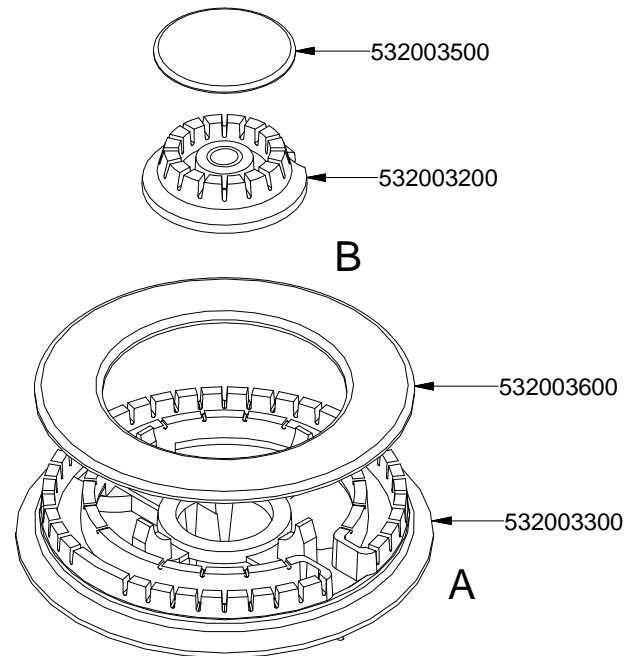
**PC-G R N**



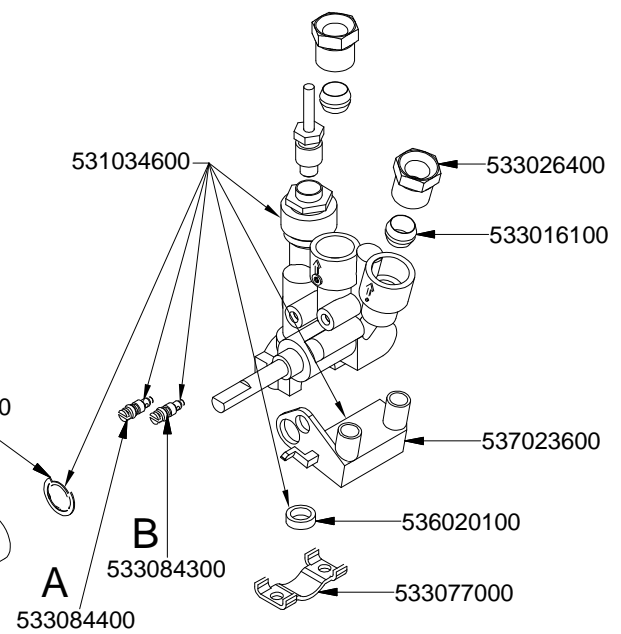
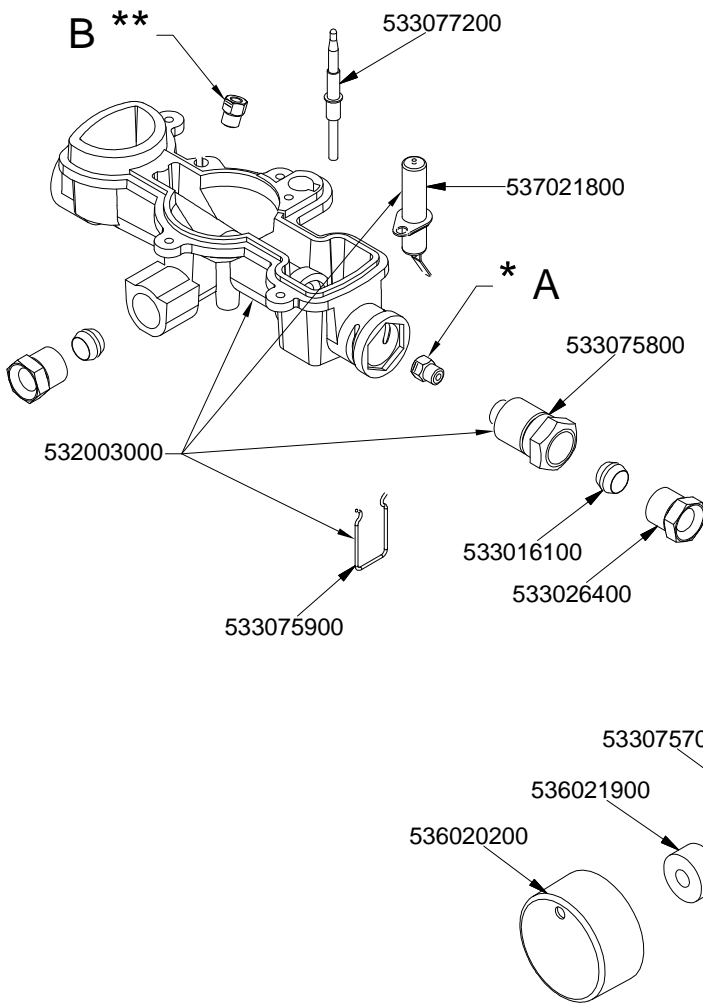
|                              |           |
|------------------------------|-----------|
|                              | <b>*</b>  |
| G30-28+30mbar<br>G31- 37mbar | 533080600 |
| G30- 50mbar                  | 533083700 |
| G20- 20mbar<br>G25- 25mbar   | 533080700 |
| G20- 20mbar<br>DE-AT         | 533080700 |
| G25- 20mbar                  | 533080800 |
| G25- 25mbar<br>NL            | 533080900 |
| G20- 25mbar                  |           |



**PC-G WOK**



|                              | *         | **        |
|------------------------------|-----------|-----------|
| G30-28+30mbar<br>G31- 37mbar | 533081000 | 533082200 |
| G30- 50mbar                  | 533082300 | 533083000 |
| G20- 20mbar<br>G25- 25mbar   | 533081200 | 533081100 |
| G20-<br>DE-AT                | 533081200 | 533081100 |
| G25- 20mbar                  | 533081400 | 533081300 |
| G25-<br>NL                   | 533081500 | 533081300 |



560025101M00P00

| Page | Pos | Code      | Description                        |
|------|-----|-----------|------------------------------------|
| 001  |     | 532002101 | GRILL 2 BURNERS 292X507 (60)       |
| 001  |     | 533070200 |                                    |
| 001  |     | 532002201 | 1 FLAME GRILL 292X507 (60)         |
| 001  |     | 544226500 |                                    |
| 001  |     | 544216301 | UPPER PLATE CF-10GE/A (NEW MOD.)   |
| 001  |     | 537008400 | IGNITION UNIT 8 FLAMES V230        |
| 001  |     | 544082801 | CONTROL PANEL FOR RANGE CFM-10GEM  |
| 001  |     | 544045001 | CONTROL PANEL CF-10GE              |
| 001  |     | 544043902 | CONTROL PANEL CF-10G               |
| 001  |     | 544044301 | SIDE NEW CF-10                     |
| 001  |     | 531008100 | ADJUSTABLE LEG H9 CHROME           |
| 001  |     | 537007600 | TERMINAL BLOCK SINGLEPHASE 40A     |
| 002  |     | 533037600 | LOCK SPRING FOR BULB               |
| 002  |     | 534009100 | GRILL PROTECTION CF-8/10           |
| 002  |     | 537025300 | MICRO-SWITCH FOR OVEN COCK         |
| 002  |     | 533017000 | THREADED FITTING FOR BICONE 8S     |
| 002  |     | 533016600 | BICONE §8 H.6 SABAF DIS.688        |
| 002  |     | 533026400 | ELBOW FOR BICONE D.8 M13X1         |
| 002  |     | 533016100 | BICONE D.8                         |
| 002  |     | 539023900 | SIGN PLATE FOR OVEN TEMPERATURE    |
| 002  |     | 537005400 | OVEN BULB 15W 300°C                |
| 002  |     | 537007900 | OVEN BULB-SOCKET                   |
| 002  |     | 531012402 | DOOR WHEEL HOLDER FOR MAXI OVEN    |
| 002  |     | 536017100 | BLACK KNOB §70 PIN §8*6,5          |
| 002  |     | 539023201 | ADHESIVE GRADUATED DISC FOR KNOB   |
| 002  |     | 531057800 | RHD GRIDS HOLDER FOR MAXI-OVEN     |
| 002  |     | 536000801 | EXTERNAL GASKET DIS.174-1          |
| 002  |     | 533018100 | BRIDLE D.21                        |
| 002  |     | 533009400 | BICONE 10S                         |
| 002  |     | 533009500 | NIPPLE FOR BICONE 10S              |
| 002  |     | 536011301 | OVEN GASKET CF-8/10 *FE*           |
| 002  |     | 531057900 | LHD GRIDS HOLDER FOR MAXI-OVEN     |
| 002  |     | 531006701 | MAXI OVEN GRID FOR S60/65          |
| 002  |     | 534009202 | MAXI GAS OVEN BOTTOM               |
| 002  |     | 537001700 | GREENLIGHTED BIPOLAR SWITCH        |
| 002  |     | 536024800 |                                    |
| 002  |     | 531010002 | GRILL BURNER FOR CF-55/60          |
| 002  |     | 533017501 | VENTURI BUSHING FOR OVEN BURNER CF |
| 002  |     | 537024500 | PLUG IGNITION FOR GRILL-BURNER     |
| 002  |     | 533084100 | LOCK SPRING FOR PLUG-THERMOCOUPLE  |
| 002  |     | 533083900 | THERMOCOUPLE 1000 M8*1 OVEN BURNER |
| 002  |     | 537024400 | PLUG IGNITION FOR OVEN-BURNER      |
| 002  |     | 533083800 | THERMOCOUPLE 1200 M8*1 OVEN BURNER |
| 002  |     | 531056200 | BURNER FOR OVEN CF-8/10G           |
| 002  |     | 533010900 |                                    |
| 002  |     | 533016100 |                                    |
| 002  |     | 533016201 | FITTING 90° FOR BICONE §8          |
| 002  |     | 533084000 | HEXAGONAL NUT 1/4G ZN TUBE §8      |
| 002  |     | 533013101 | NOZZLE §102 CH7*8,8 G-OVEN F-GRILL |
| 002  |     | 533068901 | §50 BY-PASS COCK F.OVEN CF60/65/55 |
| 002  |     | 531008303 | GRILL AND OVEN COCK BY PASS §40    |

| Page | Pos | Code      | Description                         |
|------|-----|-----------|-------------------------------------|
| 002  |     | 531031702 | BY PASS §45 SAFETY COCK CF60        |
| 002  |     | 533045901 | §45 BY-PASS THERMOSTATIC TAP        |
| 002  |     | 533013001 | NOZZLE §90 CH7*8,8 F-OVEN+GRILL     |
| 002  |     | 533014000 | NOZZLE §160 CH7*8,8 MH-FOUR+GRILL   |
| 002  |     | 533013501 | NOZZLE §180 CH7*8,8 L-FOUR+GRILL    |
| 002  |     | 533013300 | NOZZLE §170 CH7*8,8 AARDGAS-OVEN+G  |
| 003  |     | 536007102 |                                     |
| 003  |     | 531064400 | EXTERNAL GLASS MAXI OVEN DOOR+FRAME |
| 003  |     | 536021801 | DOOR HANDLE SPACER FOR MAXI OVEN    |
| 003  |     | 536006502 | OVEN DOOR HANDLE 60LINE AL.         |
| 003  |     | 531007302 | DOOR HINGE FOR MAXI OVEN 60.LINE    |
| 003  |     | 531012702 | STAINLESS STEEL OVEN DOOR 60 LINE   |
| 003  |     | 544015702 | INNER-DOOR FOR MAXI OVEN OF 60LINE  |
| 003  |     | 544074703 | S/S MAXI OVEN DOOR PANEL            |
| 004  |     | 532003400 | QUICK BURNER COVER                  |
| 004  |     | 532003100 | QUICK BURNER RING 640               |
| 004  |     | 537021700 | PLUG IGNITION FOR QUICK BURNER      |
| 004  |     | 532002900 | QUICK BURNER BODY 740               |
| 004  |     | 533026400 | ELBOW FOR BICONE D.8 M13X1          |
| 004  |     | 533016100 | BICONE D.8                          |
| 004  |     | 531047700 | TAP WITH VALVE 699 BY PASS § 40     |
| 004  |     | 533077100 | THERMOCOUPLE 600 M8*1 QUICK BURNER  |
| 004  |     | 533080000 | BICONE § 8                          |
| 004  |     | 533075700 |                                     |
| 004  |     | 536021900 | MAN.EXTENSION MICRO DRIVING TAP 60  |
| 004  |     | 536002501 | COCK KNOB SNACK PC                  |
| 004  |     | 537023600 | MICRO-SWITCH FOR COCK 250V 0,0054   |
| 004  |     | 536020100 | TAP GASKET 699                      |
| 004  |     | 533084200 | BY PASS COCK §40 699                |
| 004  |     | 533080600 | NOZZLE §88 CH7*9,3 G30-30 R         |
| 004  |     | 533083700 | NOZZLE §80 CH7*22 G30-50 R          |
| 004  |     | 533080700 | NOZZLE §134 CH7*9,3 G20-20 R        |
| 004  |     | 533080800 | NOZZLE §143 CH7*9,3 G25-20 R        |
| 004  |     | 533080900 | NOZZLE §134A CH7*9,3 G25-25NL R     |
| 005  |     | 532003500 | CENTRAL BURNER COVER WOK            |
| 005  |     | 532003200 | CENTRAL BURNER RING WOK 647         |
| 005  |     | 532003600 | EXTERNAL BURNER COVER WOK           |
| 005  |     | 532003300 | EXTERNAL BURNER RING WOK            |
| 005  |     | 533077200 | THERMOCOUPLE 600 M8*1 QUICK BURNER  |
| 005  |     | 537021800 | PLUG IGNITION FOR WOK-BURNER        |
| 005  |     | 533075800 | FITTING FOR NOZZLE-SUPPORT M12X1,25 |
| 005  |     | 532003000 | BURNER BODY WOK 743                 |
| 005  |     | 533016100 | BICONE D.8                          |
| 005  |     | 533026400 | ELBOW FOR BICONE D.8 M13X1          |
| 005  |     | 533075900 |                                     |
| 005  |     | 531034600 | TAP WITH VALVE 2OUT009 BYPASS 32/57 |
| 005  |     | 533075700 |                                     |
| 005  |     | 537023600 | MICRO-SWITCH FOR COCK 250V 0,0054   |
| 005  |     | 536021900 | MAN.EXTENSION MICRO DRIVING TAP 60  |
| 005  |     | 536020200 | COCK KNOB SNACK 2. PC               |
| 005  |     | 536020100 | TAP GASKET 699                      |

| Page | Pos | Code      | Description                         |
|------|-----|-----------|-------------------------------------|
| 005  |     | 533084300 | BY PASS COCK §32 009                |
| 005  |     | 533077000 | TAP BRIDLE 2 OUT 009                |
| 005  |     | 533084400 | BY PASS COCK §57 009                |
| 005  |     | 533081000 | NOZZLE §84 CH7*9,3 G30-30 W EST.    |
| 005  |     | 533082200 | NOZZLE §51 CH7*11 G30-30 W INT.     |
| 005  |     | 533082300 | NOZZLE §76 CH7*11 G30-50 W.EXT.     |
| 005  |     | 533083000 | NOZZLE §51 CH7*20 G30-50 W INT.     |
| 005  |     | 533081200 | NOZZLE §130 CH7*9,3 G20-20 W EST.   |
| 005  |     | 533081100 | NOZZLE §80 CH7*9,3 G20-20 W INT.    |
| 005  |     | 533081400 | NOZZLE §142 CH7*9,3 G25-20 W EST.   |
| 005  |     | 533081300 | NOZZLE §125 G20                     |
| 005  |     | 533081500 | NOZZLE §135 CH7*9,3 G25-25NL W EST. |