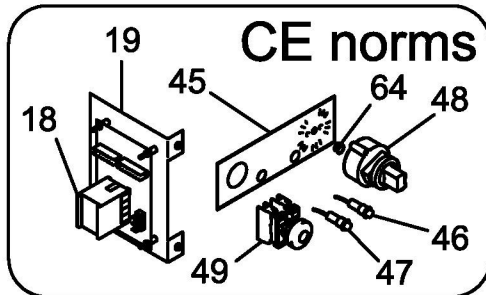
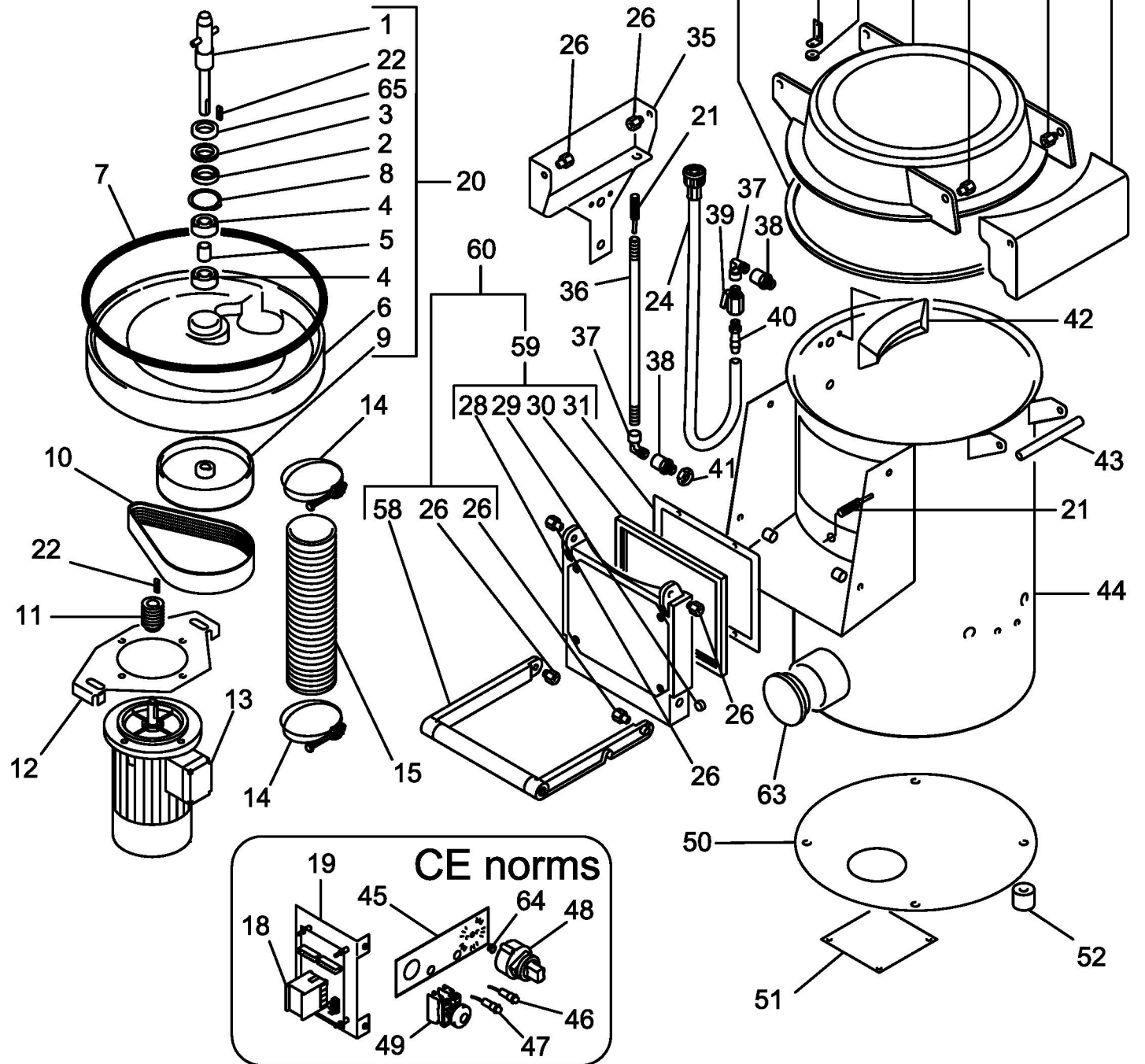
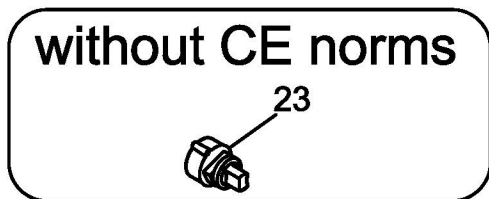
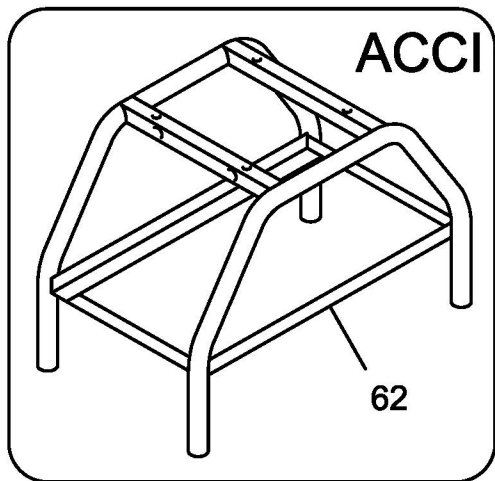
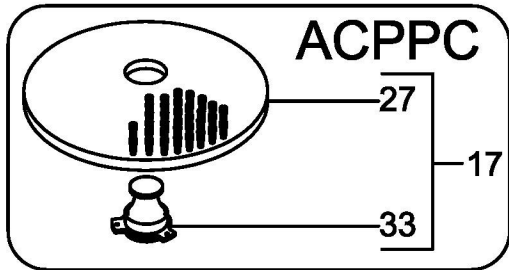
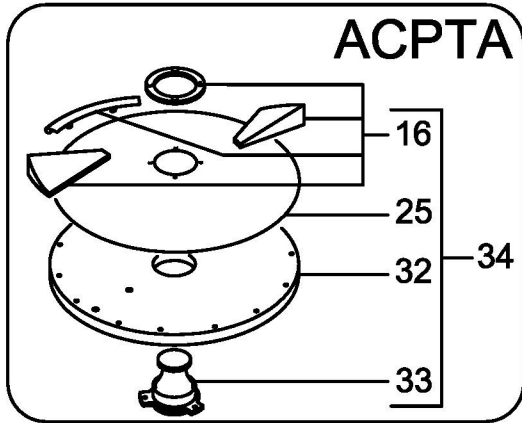


Vorbereitung Kartoffelschäler

Artikel-Nr. 451003 (PPN5)

Explosionszeichnung / Ersatzteile

Bitte bei Ersatzteilbestellung immer Seriennummer mit angeben!



PPN-PPF-LCN-LCF5

Pos. Ref.	Codice Code	Caratteristiche Features	Descrizione Description	
1	36G6590		Albero	Shaft
2	3151300	∅28x∅42x7	Paraolio	Oil seal
3	3190830		Rosetta	Washer
4	36F0090	6302 2RS	Cuscinetto	Bearing
5	36G5950		Boccola	Bush
6	3600870		Fondo	Bottom
7	3151750		Anello	Ring
8	SL2056	∅42	Seeger	Seeger
9	36G6600		Puleggia	Pulley
10	36G6610	● Poly V-559 j12	Cinghia	Belt
11	36G6620	(PPN-PPF5)	Puleggia	Pulley
11	36G0030	(LCN-LCF5)	Puleggia	Pulley
12	35V1230		Staffa	Bracket
13	SL1471	400V/3Ph/50Hz (PPN-PPF5)	Motore	Motor
13	SL1470	230V/1Ph/50Hz (PPN-PPF5)	Motore	Motor
13	SL1518	400V/3Ph/50Hz (LCN-LCF5)	Motore	Motor
13	32M0650	230V/1Ph/50Hz (LCN-LCF5)	Motore	Motor
14	3140460	∅88÷∅96	Fascetta	Clip
15	35X1150	∅90	Tubo	Tube
16	SA3460	plastic (PTA)	Kit disco	Disk set
16	SA3450	28/01/08 f.p.(*)	Kit disco	Disk set
17	ACPPC	Assembly (LCN-LCF5)	Disco cozze	Mussel disk
18	SL2921	●	Scheda elettronica	Electronic card
18	32Z4840	01/01/04 f.p.(*)	Teleruttore	Remote control switch
19	SL2785		Piastra	Plate
20	SA1064	Assembly	Fondo	Bottom
21	32W3240	● CE norms	Microinterruttore	Microswitch
22	SL0010	5x5x20	Linguetta	Key
23	SA1092	● Assembly	Timer	Timer
24	33M0010	3/4" F	Tubo	Tube
25	SL3542		Tela abrasiva	Emery cloth
25	SL2494	● 28/01/08 f.p.(*)	Tela abrasiva	Emery cloth
26	36D9550		Boccola	Bush
27	36G6880		Disco cozze	Mussel disk
28	SA3400	Assembly	Sportello	Door
29	3600160	● CE norms	Magnete	Magnet
30	37Q7860	●	Guarnizione	Gasket
31	36C0011		Telaio	Frame
32	SL3543		Disco	Disk
32	SL2135	28/01/08 f.p.(*)	Disco	Disk
33	36M5250		Pomello	Knob
34	ACPTA	Assembly (PPN-PPF5)	Disco patate	Potato disk
35	SL2904		Staffa	Bracket
36	35X2330	CE norms	Tubo	Tube
37	33Q6040	L 90° 1/4" M-F	Raccordo	Nipple
38	33Q6210	1/4" M-F	Raccordo	Nipple
39	SL1622	1/4" M-F	Rubinetto	Cock
40	33Q5180	1/4" M ∅12	Portagomma	Cluch
41	3117580	1/4" CH17	Dado	Nut
42	36D6040		Saltarello	Leaper
43	36G2040		Perno	Pivot
44	SL2693R0		Carcassa	Housing
45	SL3705		Etichetta	Label
45	SL3530	01/01/09 f.p.(*)	Etichetta	Label
46	32W2970	● 230V 2W green	Lampada	Lamp
47	32W3280	● 230V 2W white	Lampada	Lamp
48	SA1087		Timer	Timer
49	SA1088	Unstable	Pulsante	Push button
50	35D7790		Fondo	Bottom
51	35M0850	(PPN-LCN5)	Piastra	Plate
52	36C0800	● (PPN-LCN5)	Piedino	Foot
53	36M5090		Maniglia	Handle
54	36Z6501		Coperchio	Cover
55	3600310	● CE norms	Magnete	Magnet
56	35V6381	CE norms	Staffa	Bracket
57	SL2871	●	Guarnizione	Gasket
58	SA1093	Assembly	Maniglia	Handle
59	6000930	Assembly	Sportello	Door
60	SA1072	Assembly	Sportello	Door
61	6005380	Assembly	Coperchio	Cover
62	ACCI	Assembly (PPF-LCF5)	Telaio	Frame
63	SL2211	(PPF-LCF5)	Tappo	Tap
64	SL0772	V-8-S	V-ring	V-ring
65	SL3943	∅28x∅42x7	Paraolio	Oil seal

(*) : fuori produzione / out of production

● : ricambio consigliato / spare part suggested