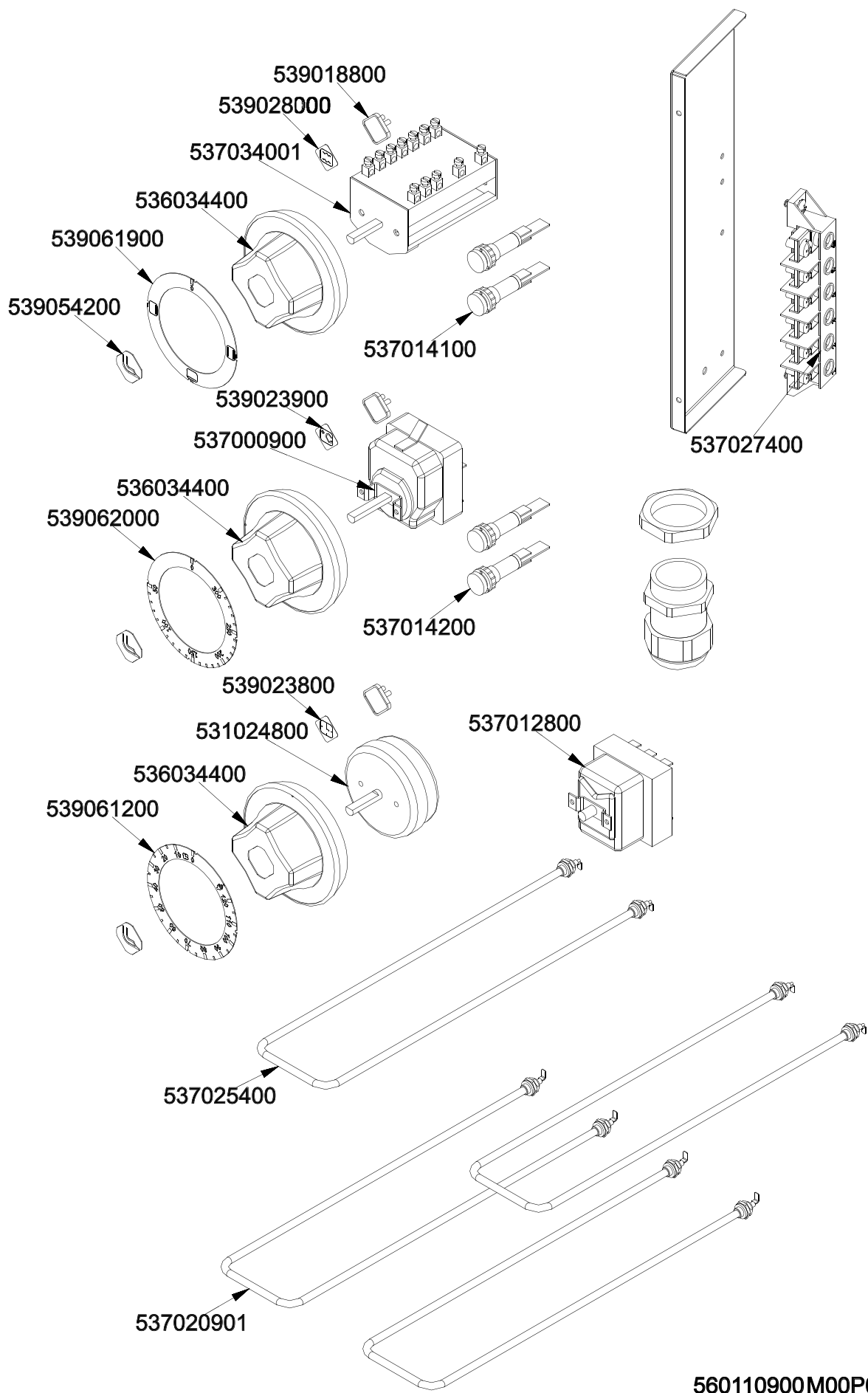


560110800M00P00



560110900M00P00

Page	Pos	Code	Description
001		544691600	FIANCO MOBILE MFV-78ET S70 SX
001		533037600	LOCK SPRING FOR BULB
001		536010801	OVEN GASKET GN 2/1 (1308
001		544691500	FIANCO MOBILE MFV-78ET S70 DX
001		536005200	INOX LEG 2" 120-180 M10
001		544779100	PANN.COMANDI MF-710E
001		531030500	LHD SUPPORT GRID FOR OVEN OF 70LINE
001		531030200	OVEN GRID GN 2/1 FOR 70 LINE
001		544198900	70 ELECTRICAL OVEN BOTTOM GN2/1
001		531030400	RHD SUPPORT GRID FOR OVEN OF 70LINE
002		541290900	ASS.CONTROP.FORNO S70 MF-710E
002		531022700	RIGHT OVEN DOOR HINGE 70LINE
002		531013100	OVEN DOOR HANDLE OF 70/90-LINE
002		544780300	PORTA FORNO GN2/1 S70 MF
002		531022900	HINGE DOOR WHEEL HOLDER S.70
002		531022800	LEFT OVEN DOOR HINGE S.70
003		539018800	BLANK INDEX FOR KNOB
003		539028000	SELECTOR SIGN PLATE FOR OVEN
003		537034001	COMMUTATOR 4 POS.3PHASE S.42 16A
003		536034400	KNOB §77 4P. §06*4,6 C/M
003		539061900	ADESIVE DISK FOR SWITCH OVEN S70
003		539054200	STAMP Ø20,5 CR."L" LOTUS R.
003		537014100	WHITE WARNING LIGHT 250V
003		539023900	SIGN PLATE FOR OVEN TEMPERATURE
003		537000900	THERMOSTAT 063-320°C THREEPHASE
003		539062000	ADESIVE DISK THERMOSTAT OVEN S70
003		537027400	TERMINAL BLOCK THREEPHASE 40A
003		537014200	GREEN WARNING LIGHT 250V
003		537012800	SAFETY THERMOSTAT 420°C THREEPHASE
003		539023800	LABEL FOR OVEN TIMER
003		531024800	TIMER 120'- 360°
003		539061200	ADHESIV.DISK FOR TYMER EL. OVEN
003		537025400	OVEN UPPER HEAT.EL.W700 V230 70LINE
003		537020901	HEATING ELEMENT 1200W 230V OVEN S70