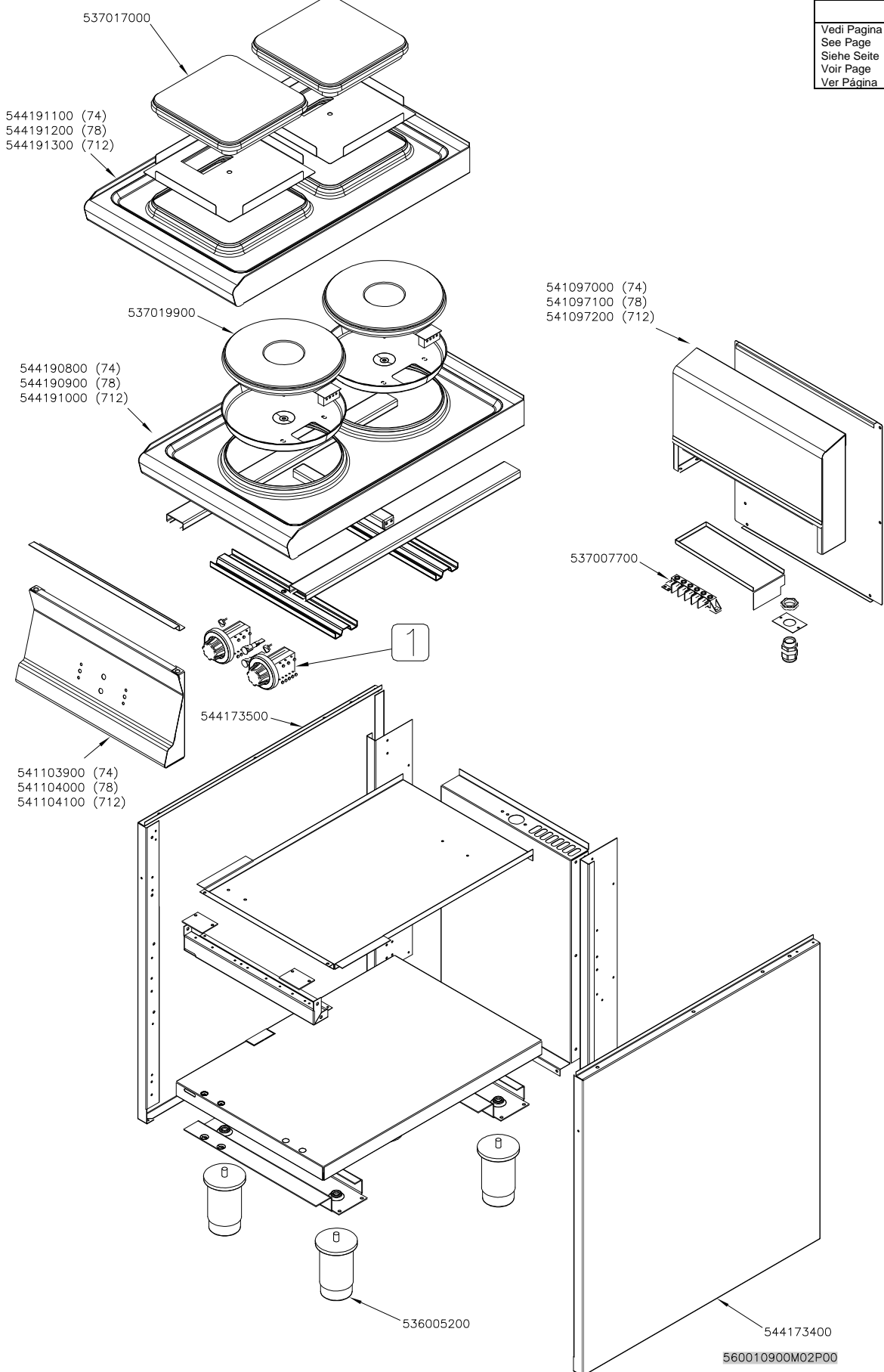


SUPERLOTUS 70≤0601

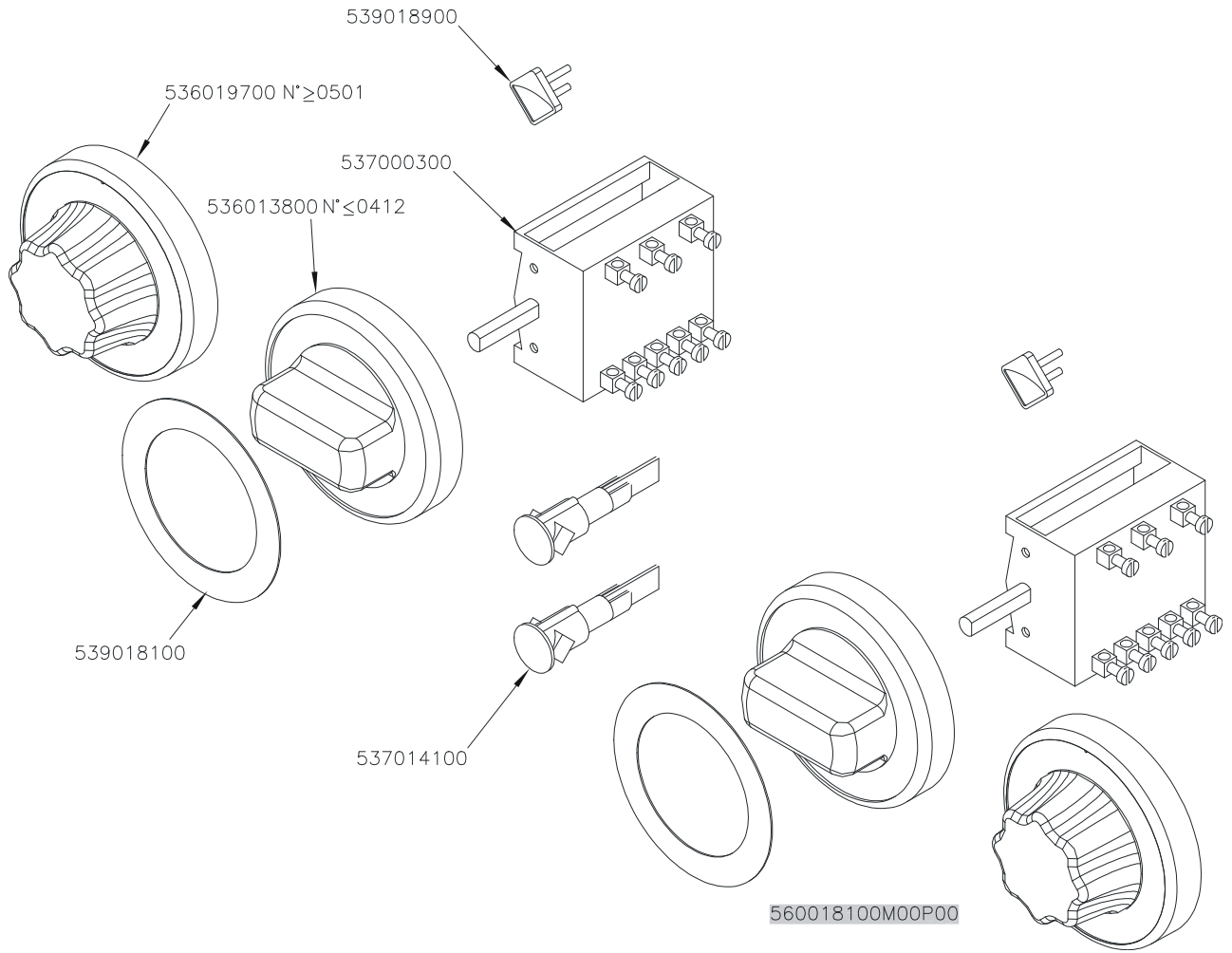
ELETTRICO / ELECTRIC / ELEKTRO / ELECTRIQUE

PC-74ET PC-78ET PC-712ET PCQ-74ET PCQ-78ET PCQ-712ET

| | |
|---|----|
| | 1 |
| Vedi Pagina See Page Siehe Seite Voir Page Ver Pàgina | 91 |



PC-E CF-E



| Page | Pos | Code | Description |
|------|-----|-----------|----------------------------------|
| 001 | | 537017000 | PLATE 220X220 W2600 V230 |
| 001 | | 544191100 | UPPER PLATE PC-74E SQUARE PLATE |
| 001 | | 537019900 | PLATE D.220 W2600 V230 |
| 001 | | 541097000 | NEUTRAL SPACER 74 |
| 001 | | 544190800 | UPPER PLATE PC-74E ROUND PLATE |
| 001 | | 537007700 | TERMINAL BLOCK THREEPHASE 40A |
| 001 | | 544173500 | LEFT SIDE PANEL S.70 |
| 001 | | 541103900 | CONTROL PANEL PC-74E |
| 001 | | 536005200 | INOX LEG 2" 120-180 M10 |
| 001 | | 544173400 | RIGHT SIDE PANEL S.70 |
| 002 | | 539018900 | INDEX FOR KNOB |
| 002 | | 536019700 | BLACK KNOB §70 PIN §6*5 |
| 002 | | 537000300 | COMMUTATOR 7 POSITIONS S.49 16A |
| 002 | | 536013800 | KNOB D.70 BLACK 6*5 WITH SPRING |
| 002 | | 539018100 | ADHESIVE GRADUATED DISC FOR KNOB |
| 002 | | 537014100 | WHITE WARNING LIGHT 250V |