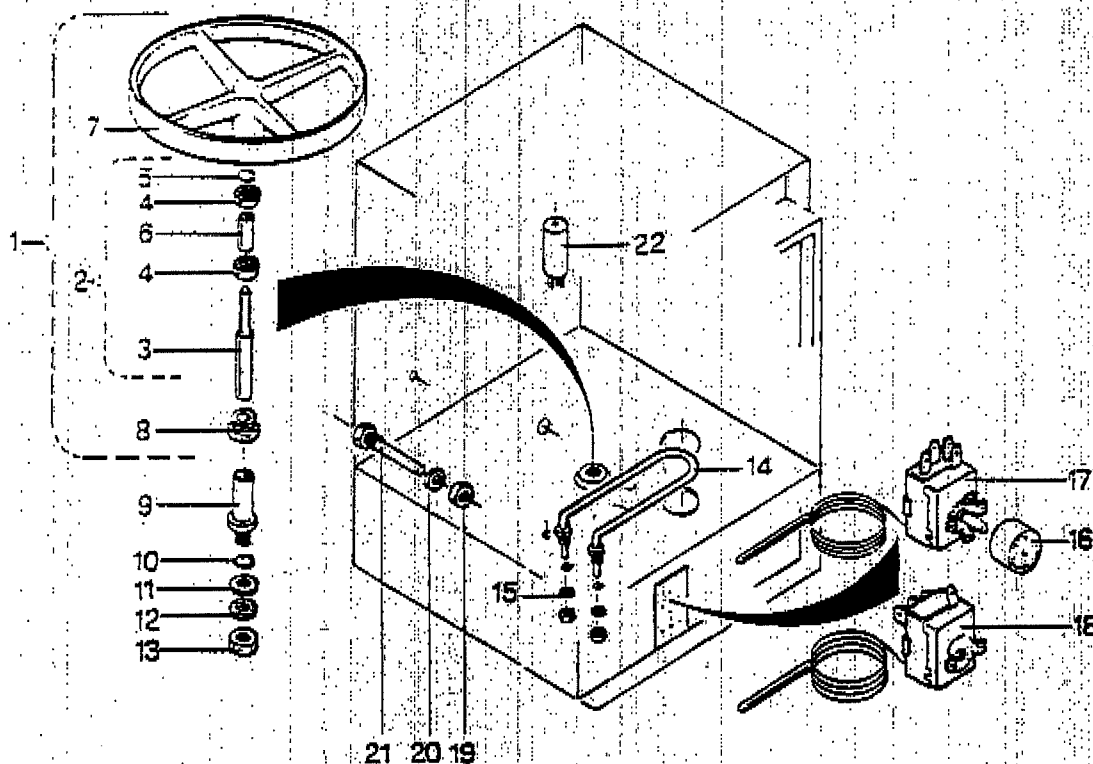
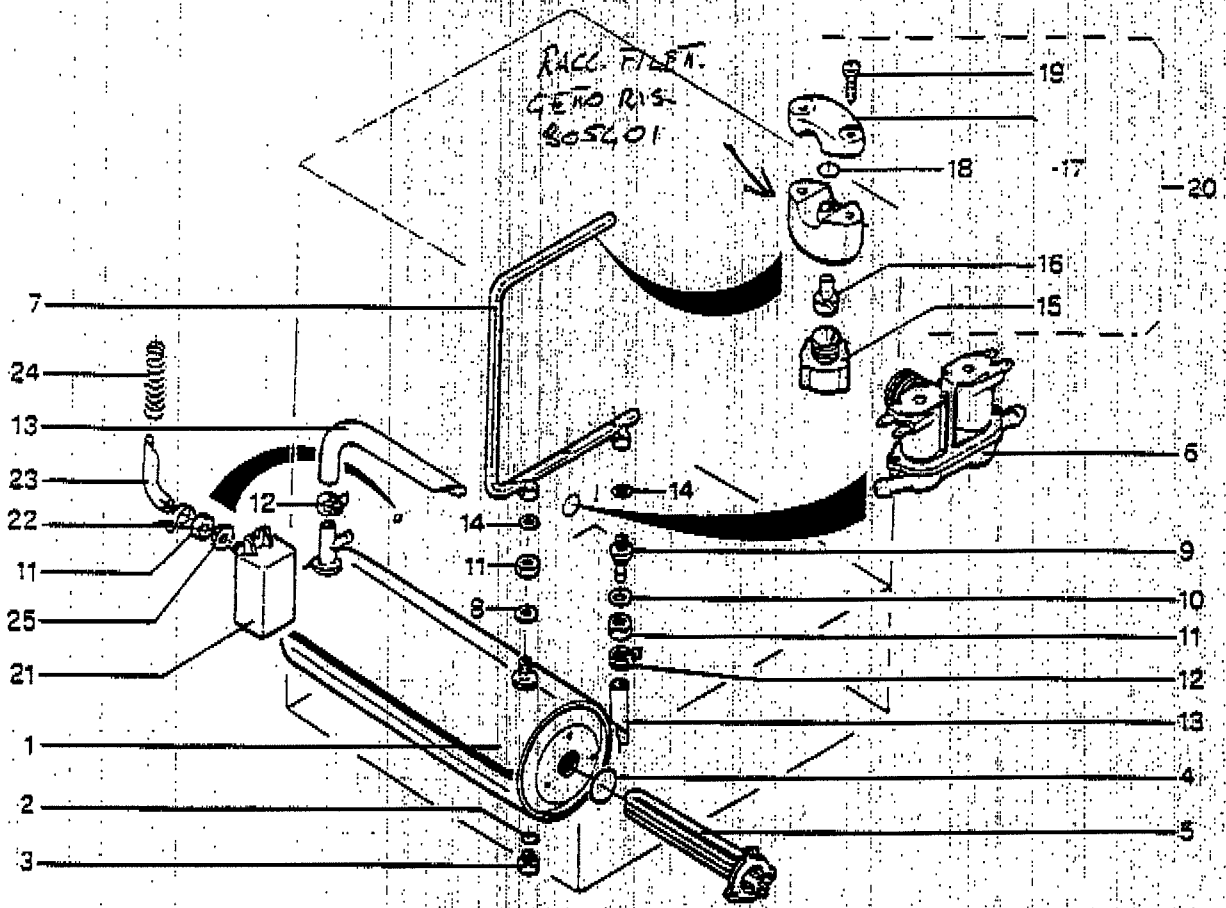


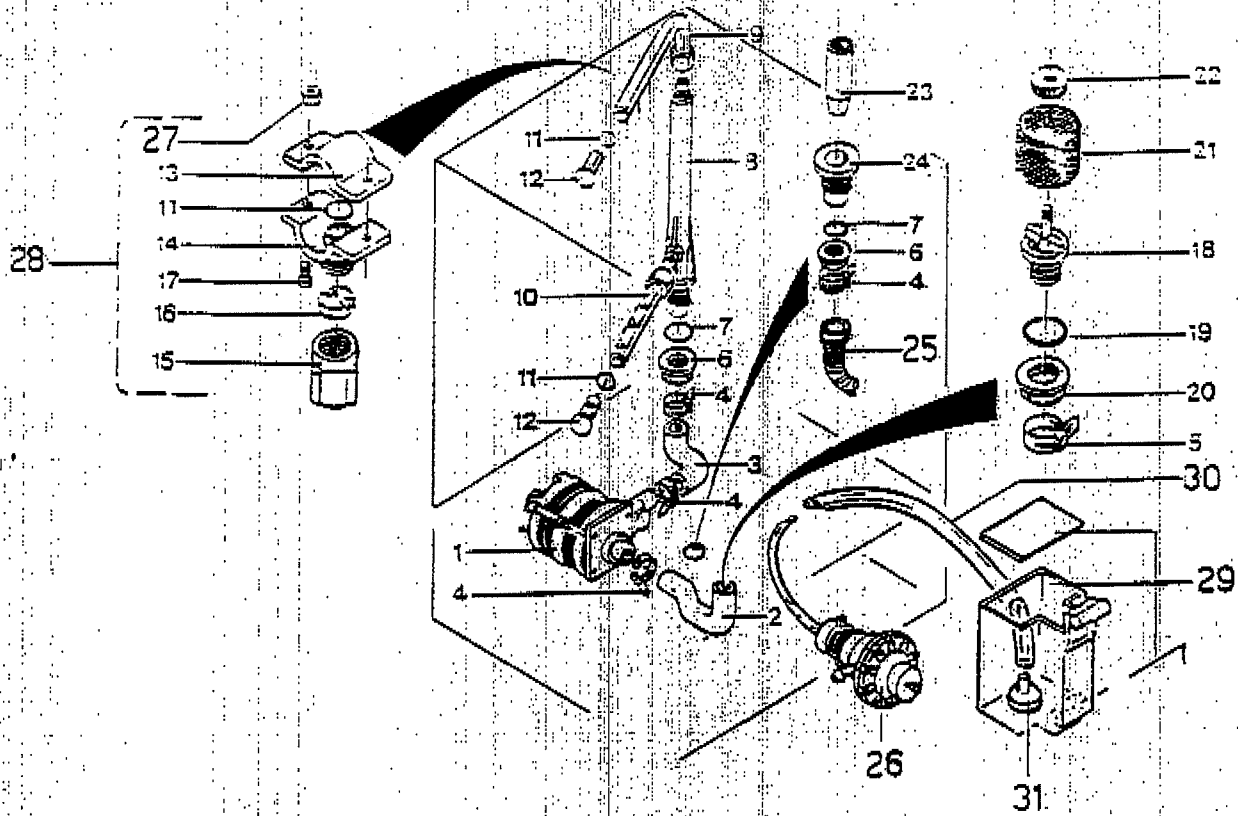
POS.	CODICE	DESCRIZIONE	DENOMINATION	DESCRIPTION	BEZSCHNUNG
1	901037	CARROZZERIA	CARROSSERIE	BASE	KARROSSERIE
2	904980	PIEDINO REGOLABILE	PETIT PIED REGABLE	RUBBER LEG	EINSTELBARESOKKEL
3	905068	PORTA	PORTE	DOOR	TÜR
4	TR0220	CUSTODIA CON MAGNETE	PROTECTION MAGNETO	COVER MAGNET	MAGNETSCHUTZ
5	306113	SCROCCHETTO INOX COMPLETO	CLIQUET PERMUTURE PORTE	DOOR CATCH	SCHNAPPSCHLUSS
6	901835	CORPO SCROCCHETTO	CORPS CLIQUET	BODY DOOR CATCH	VERSCHLUSSKÖRPER
7	902023	DADO SCROCCHETTO	ECROU DU CLIQUET	NUT LATCH	MUTENMUTTER
8	903040	MOLLA	RESSORT	SPRING	FEDER
9	906275	SFERA	SPHERE	SPHERE	SPHÄRE
10	904796	PERNO PORTA	TOURILLON DE LA PORTE	DOOR PIN	TÜRSCHARNENSTIFT
11	901245	CERNIERA	PATTE	DOOR SUPPORT	SCHARNER
12	900941	SPALLA LATERALE DX	SUPPORT LATERAL DX	SIDE SUPPORT DX	SEITLICH HALTER DX
13	900942	SPALLA LATERALE SX	SUPPORT LATERAL SX	SIDE SUPPORT SX	SEITLICH HALTER SX
14	904547	PANNELLO LATERALE DX	PANNEAU DROIT	RIGHT PANEL	RECHTE VERKLEIDUNG
15	904548	PANNELLO LATERALE SX	PANNEAU GAUCHE	LEFT PANEL	LINKE VERKLEIDUNG
16	904556	PANNELLO POSTERIORE	PANNEAU POSTERIEUR	BACK PANEL	HINTERE VERKLEIDUNG
17	904896	PANNELLO SUPERIORE	PANNEAU SUPERIEUR	UPPER SIDE PANEL	OBERE VERKLEIDUNG
18	904446	PANNELLO INFERIORE	PANNEAU INFERIEUR	LOWER PANEL	UNTERE VERKLEIDUNG
19	907860	VITE M5 x 12	VIS	SCREW	SCHRAUBE



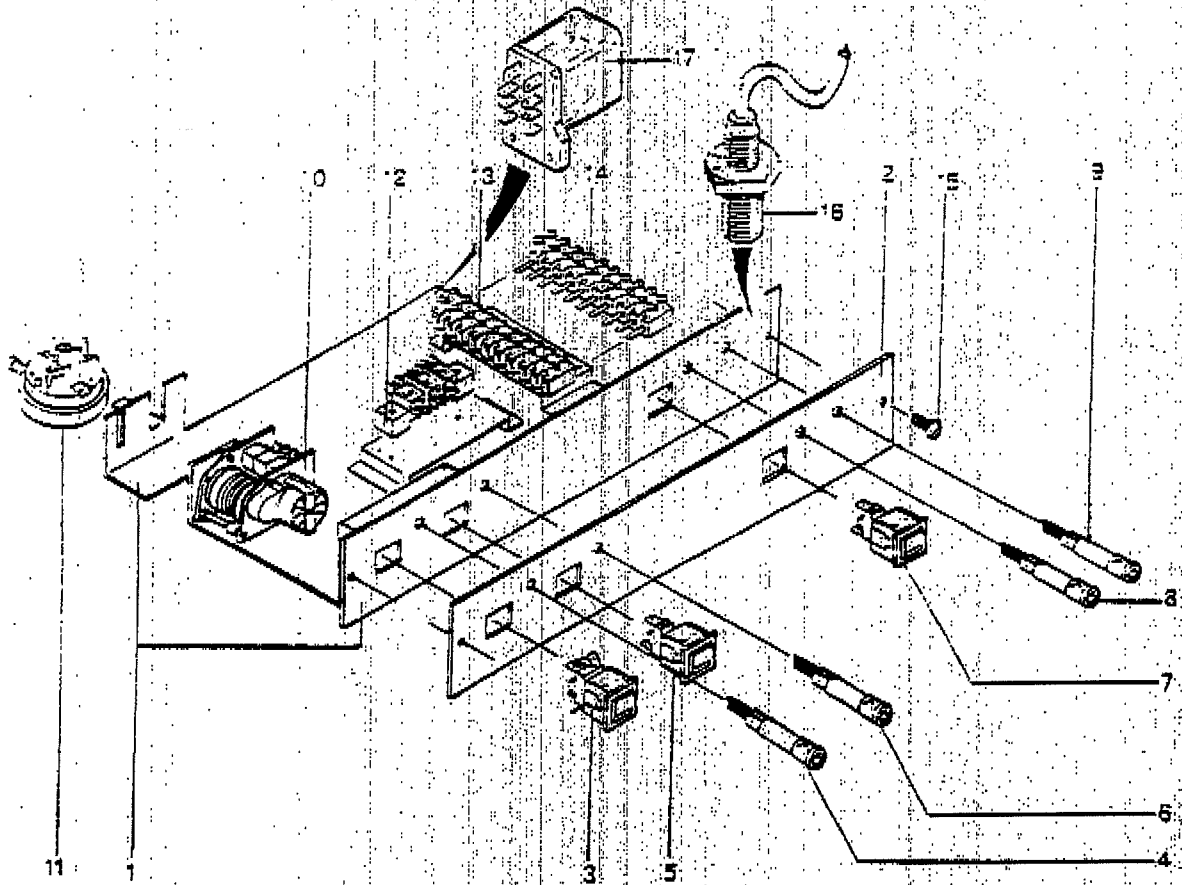
POS.	CODICE	DESCRIZIONE	DEMININATION	DESCRIPTION	BEZEICHNUNG
1	903149	GIRELLO COMPLETO	PLATEAU TOURNANT	COMPLETE ROTATING BASKET	KOMPLETTE DREHVORRICHTUNG
2	900011	ALBERO GIRELLO COMPLETO	ARBRE COMPLET PLATEAU	COMPLETE SHAFT ROTATING BASKET	KOMPLETTE WELLE DREHVORRICHTUNG
3	900010	ALBERO GIRELLO	ARBRE TOURNANT	ROTATING BASKET	DREHVORRICHTUNG
4	901970	CUSCINETTO A SFERE	ROULEMENT A BILLES	BALL BEARING	KUGELLAGER
5	906160	SEGER	SEGER	SEGER	SEGER
6	902160	DISTANZIALE	ENTRETOISE	SPACING BAR	DISTANZSTÜCK
7	903150	GIRELLO	PLATEAU TOURNANT	ROTATING BASKET	DREHVORRICHTUNG
8	902860	GHIERA GIRELLO	FRETTE	RING NUT	NUTMUTTER
9	905349	SUPPORTO GIRELLO	SUPPORT DE PLATEAU	BEARING FOR ROTAT. BASKET	DREHVORRICHTUNGSWELLE
10	904330	O-RING	O-RING	O-RING	O-RING
11	906080	RONDELLA	RONDELLE	WASHER	UNTERLEBSCHIBE
12	905900	ROSETTA ELASTICA	RONDELLE ELASTIQUE	RUBBER WASHER	FEDERSCHIBE
13	902100	GHIERA 3/8"	VIROLE	LOCK NUT	NUTMUTTER
14	905720	RESISTENZA	RESISTANCE	HEATING ELEMENT	HEIZ KÖRPER
15	904381	O-RING	O-RING	O-RING	O-RING
16	903982	MANOPOLA	BOLTON	KNOB	KNOF
17	907100	TERMOSTATO 0°-90°	THERMOSTAT	THERMOSTAT	THERMOSTAT
18	907120	TERMOSTATO 55°	THERMOSTAT	THERMOSTAT	THERMOSTAT
19	902061	GHIERA 1/2" GAS	VIROLE	LOCK NUT	NUTMUTTER
20	903250	GUARNIZIONE 1/2" GAS	JOINT	GASKET	DICHTUNG
21	905190	PORTA BULBO	SEGE DE BULBE	SEATING BULB	KUGELSTZ
22	901744	CONDENSATORE 5.0µF	CONDENSATEUR	CONDENSER	KONDENSATOR



POS.	CODICE	DESCRIZIONE	DENOMINAZIONE	DESCRIPTION	BEZSCHNUNG
1	900347	BOILER	CHAUFFE EAU	BOILER	HEISSWASSERSPEICHER
2	904430	O-RING	O-RING	O-RING	O-RING
3	907820	VITE	VIS	SCREW	SCHRAUBE
4	907981	O-RING	O-RING	O-RING	O-RING
5	905500	RESISTENZA	RESISTANCE	HEATING ELEMENT	HEIZKÖRPER
6	902400	ELETTROVALVOLA A 2 VIE	SOUPAPE ELECTRIQUE	ELECTRIC VALVE	ELEKTROVENTIL
7	900146	ASTA DI RISCIACCIO	TIGE DE RINCAGE	RINSING CONNECTION ROD	SPÜLSTAB
8	904330	O-RING	O-RING	O-RING	O-RING
9	907920	RACCORDO RISCIACCIO FREDDO	RACCORD RINCAGE A FROID	PIPE FITTING COLD RINSING	KALTSPIÜLANSCHLUSS
10	904330	O-RING	O-RING	O-RING	O-RING
11	902100	GHIERA 3/8"	VIROLE	LOCK NUT	NUTMUTTER
12	902440	FASCETTA 13-20	COLLIER	CLAMP	SCHELLE
13	907295	TUBO GOMMA Ø 12x17	TUYAU EN CAOUTCHOUC	RUBBER HOSE	GUMMISCHLAUCH
14	903410	GUARNIZIONE	JOINT	GASKET	DICHTUNG
15	908090	GETTO RISCIACCIO	JET DE RINCAGE	RINSING JET	SPÜLDÜSE
16	908090	DIFFUSORE DI RISCIACCIO	DIFFUSER DE RINCAGE	RINSING SPREADER	SPÜLDIFFUSOR
17	901702	COLLARE RISCIACCIO	COLLIER DE RINCAGE	RINSING COLLAR	KRÄGERHOSE
18	904392	O-RING	O-RING	O-RING	O-RING
19	907850	VITE AUTORIL. 3.5X16	VIS	SCREW	SCHRAUBE
20	902795	GETTO RISCIACCIO COMPLETO	JET DE RINCAGE COMPLET	COMPLETE RINSING JET	KOMPLETTE SPÜLDÜSE
21	907252	TRAPPOLA ARIA	RESERVOIR A AIR	AIR TRAP	LUFTFALLE
22	902425	FASCETTA ELASTICA	COLLIER	CLAMP	SCHELLE
23	907270	TUBETTO PRESSOSTATO	TUYAU PRESSOSTAT	PRESSURE SWITCH PIPE	SCHLAUCH
24	904131	MOLLA TRAPPOLA ARIA	RESSORT	SPRING	FEDER
25	903260	GUARNIZIONE GOMMA 3/8"	JOINT	GASKET	DICHTUNG



POS.	CODICE	DESCRIZIONE	DEMININATION	DESCRIPTION	BEZEICHNUNG
1	902228	POMPA 0,15 HP	POMPE	PUMP	PUMPE
2	903859	MANICOTTO ASPIRAZIONE	MANCHON D'ASPIRATION	ONLET ELBOW	ANSAUGMUFFE
3	903709	MANICOTTO MANDATA	MANCHON DE REPALEMENT	ONLET ELBOW	ANSAUGMUFFE
4	902461	FASCETTA Ø 40	COLLIER	CLAMP	SCHELLE
5	902471	FASCETTA Ø 35-50	COLLIER	CLAMP	SCHELLE
6	902070	GHIERA 1" GAS	FRETTE	RING-NUT	NUTMUTTER
7	904350	O-RING	O-RING	O-RING	O-RING
8	901716	COLONNA LAVAGGIO	COLONNE DE LAVAGE	WASHING PIPE	SPÜLLING; SÄULE
9	900123	BRACCIO LAVAGGIO SUP.	BRAS LAVAGE SUPERIEUR	UPPER WASHING ARM	OBERER SPÜLARME
10	900118	BRACCIO LAVAGGIO INF.	BRAS LAVAGE INFERIEUR	LOWER WASHING ARM	UNTERER SPÜLARME
11	904320	O-RING	O-RING	O-RING	O-RING
12	908440	TAPPO	BOUCHON	PLUG	VERSCHLUSS
13	901701	COLLARE PER GETTO	COLLIER POUR JET	COLLAR FOR JET	KRAGEN; DÜSE
14	906394	RACCORDO PER GETTO	RACCORD POUR JET	PIPE FITTING JET	ANSCHLUSS; DÜSE
15	908070	GETTO LAVAGGIO	JET DE LAVAGE	WASHING JET	WASCHDÜSE
16	908060	DIFFUSORE LAVAGGIO	DIFUSEUR DE LAVAGE	WASHING SPREADER	WASCHDIFFUSOR
17	907723	VITE 4x10	MS	SCREW	SCHRAUBE
18	905380	RACCORDO ASPIRAZIONE	RACCORD ASPIRATION	INTAKE PIPE FITTING	ANSAUGANSCHLUSS
19	904380	O-RING	O-RING	O-RING	O-RING
20	902080	GHIERA 1" 1/4	FRETTE	RING-NUT	NUTMUTTER
21	902570	FILTRO	FILTRE	FILTER	FILTER
22	902850	GHIERA	FRETTE	RING-NUT	NUTMUTTER
23	907280	TROPPO PIENO	NIVEAU	OVER FLOW	VEBERLAUF
24	905440	RACCORDO SCARICO	RACCORD DE DECHARGE	PIPE FITTING FOR OUTLET	ABLAUFANSCHLUSS
25	907439	TUBO DI SCARICO	TUBE DE DECHARGE	OUTLET TUBE	ABLAUFLEUCH
26	902227	DOSATORE COMPLETO	DOSEUR COMPLET	COMPLETE DOSING DEVICE	DOSIERSATZ
27	901990	DADO 4 MA	ECROU	NUT	MUTTER
28	902793	GETTO LAVAGGIO COMPLETO	JET DE LAVAGE	COMPLETE WASHING	KOMPLETTE WASHDÜSE
29	901761	CONTENITORE BRILLANTE	RECIPIENT BRILLANT	GLASS AGENT CONTAINER	GLANZSPÜLMITTELBEHALTER
30	907270	TUBO ASP. BRILLANTE	TUYAU	PIPE	LAUCH
31	902569	FILTRO	FILTRE	FILTER	FILTER



POS.	CODICE	DESCRIZIONE	DEMININATION	DESCRIPTION	BEZICHNUNG
1	904676	PANNELLO COMANDI COMPL.	TABLEAU COMMANDE COMPLET	COMPLETE ELECTRIC PANEL	KOMPLETTE SCHALTAFEL
2	907009	TARGA	PLAQUETTE	PLATE	SCHILD
3	905328	INTERRUTTORE PREPARAZIONE	INTERRUPTEUR DE PREPARAT.	"PREPARATION" SWITCH	DRÜCKKNOPF VORBEREITUNG
4	903829	SPA PREPARAZIONE	LAMPE DE PREPARATION	"PREPARATION" LAMP	KONTROLLAMPE VORBEREITUNG
5	905324	PULSANTE CICLO	BOUTON CYCLE	"CYCLE" PUSH-BUTTON	DRÜCKKNOPF "CYCLUS"
6	903829	SPA CICLO	LAMPE CYCLE	"CYCLE" LAMP	KONTROLLAMPE "CYCLUS"
7	905325	INTERRUTT. RISC. AC. FREDDO	INTERRUPTEUR RINÇAGE EAU FROIDE	COLD RINSE SWITCH	DRÜCKKNOPF KALTE NACHSPÜLUNG
8	903829	SPA RISC. AC. FREDDO	LAMPE RINÇAGE EAU FROIDE	COLD RINSE LAMP	KONTROLLAMPE KALTE NACHSPÜLUNG
9	903829	LAMPADA BOLLER	LAMPE BOLLER	BOLLER LAMP	WARMWASSERSPEICHERLAMPE
10	907172	TIMER LAVAGGIO	TIMER LAVAGE	WASHING TIMER	KONTROLLEUCHTE "CYCLUS"
11	905270	PRESSOSTATO	PRESSOSTAT	PRESSURE SWITCH	DRÜCKWACHTER
12	904140	MORSETTIERE	BORNES	TERMINAL BOARD	KLEMMLEISTE
13	904170	MORSETTIERE	BORNES	TERMINAL BOARD	KLEMMLEISTE
14	904200	MORSETTIERE	BORNES	TERMINAL BOARD	KLEMMLEISTE
15	907880	VITE M5 X 12	VIS	SCREW	SCHRAUBE
16	790309	REED MAGNETICO	REED	REED	REED
17	905474	RELE	RELAS	RELAY	RELAYS