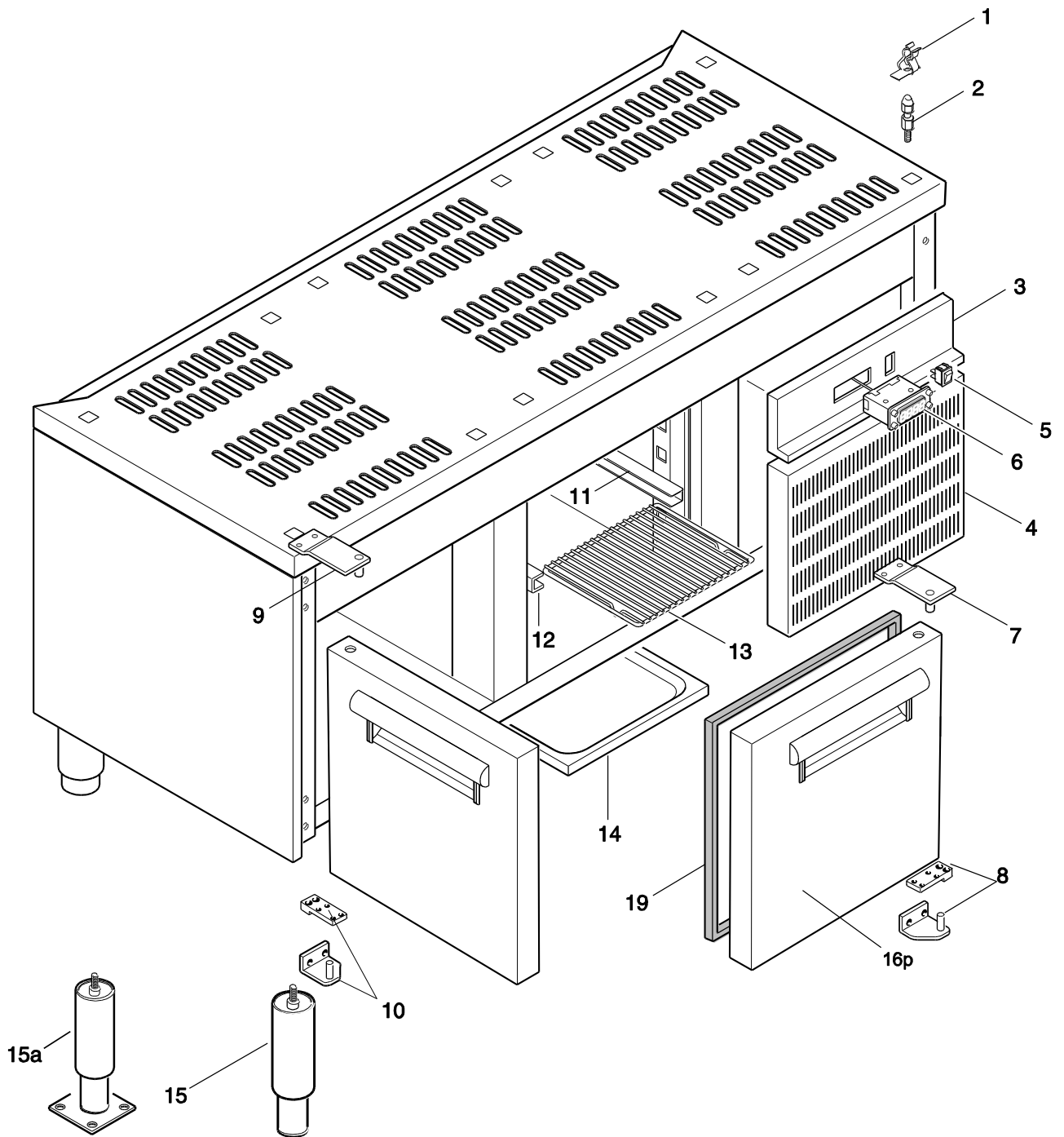
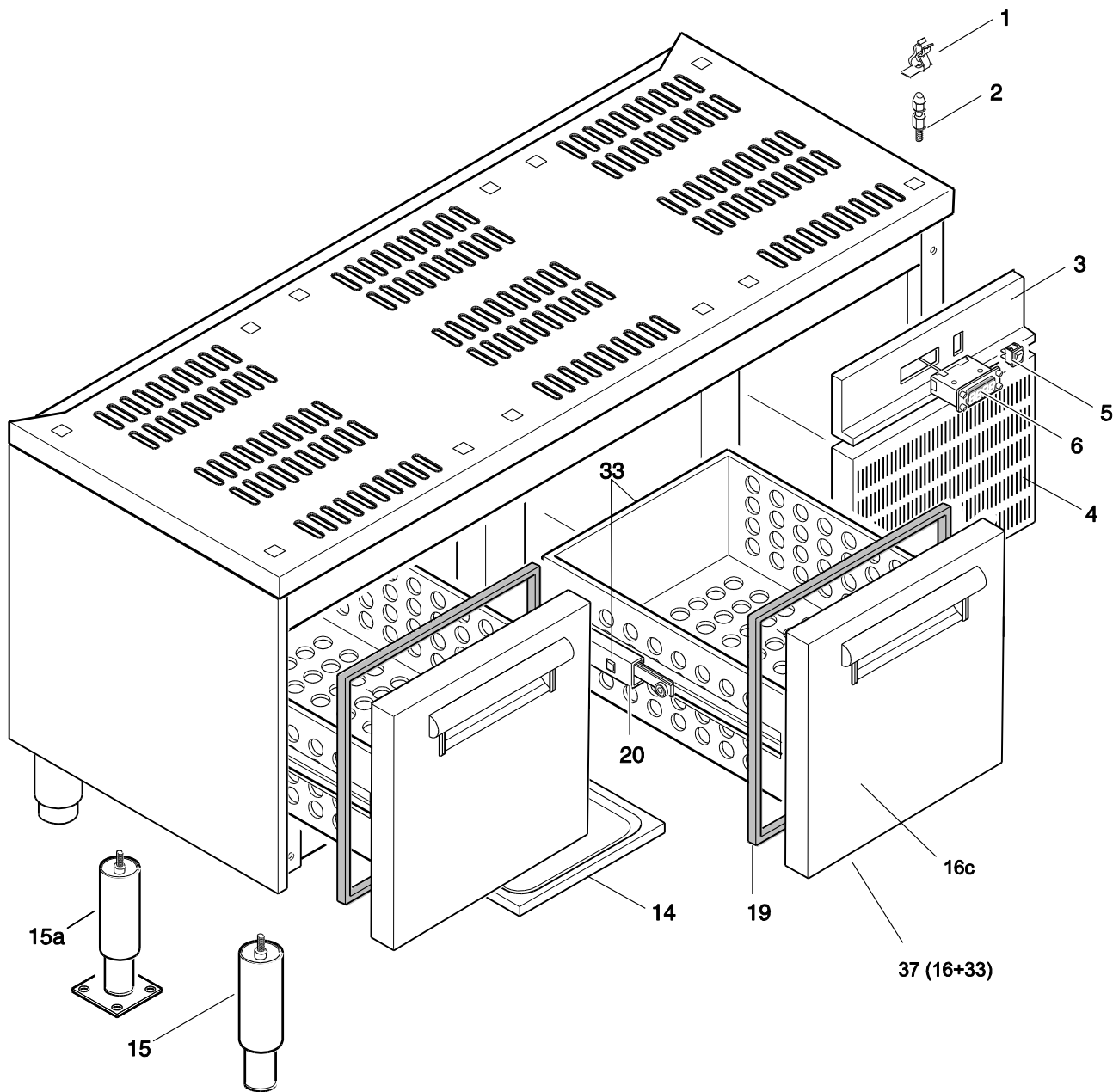


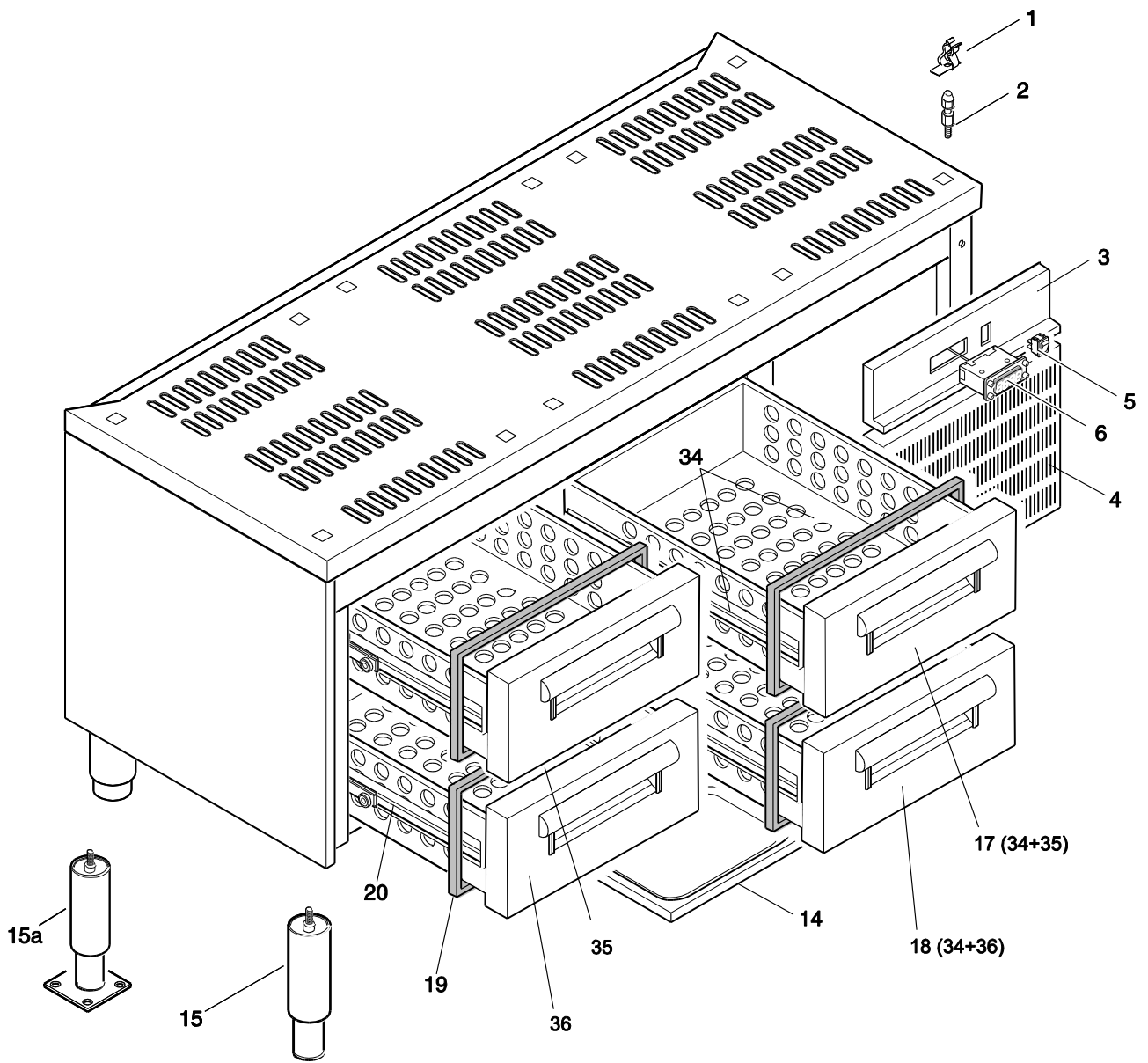
PNC	Model	Ref	Brand	Notes
371120	E7BAPL00RE	a	ELUX	REFRIGERATED BASE WITH 2 DRAWERS 1200 MM
371121	E7BAPL00RD	b	ELUX	REFRIGERATED BASE WITH 2 DOORS 1200 MM
371122	E7BAPP00RE	c	ELUX	REFRIGERATED BASE WITH 3 DRAWERS 1600 MM
371123	E7BAPP00RD	d	ELUX	REFRIGERATED BASE WITH 3 DOORS 1600 MM
371124	E7BAPL00SO	e	ELUX	FREEZER BASE + 2 DRAWERS -15-20°C 1200MM
371212	E7BAPL00RH	f	ELUX	REFRIGERATED BASE WITH 4 DRAWERS 1600 MM
371213	E7BAPP00RH	g	ELUX	REFRIGERATED BASE WITH 6 DRAWERS 1600 MM
372120	Z7BAPL00RE	h	ZAN	REFRIGERATED BASE WITH 2 DRAWERS 1200 MM
372121	Z7BAPL00RD	i	ZAN	REFRIGERATED BASE WITH 2 DOORS 1200 MM
372122	Z7BAPP00RE	l	ZAN	REFRIGERATED BASE WITH 3 DRAWERS 1600 MM
372123	Z7BAPP00RD	m	ZAN	REFRIGERATED BASE WITH 3 DOORS 1600 MM
372124	Z7BAPL00SO	n	ZAN	FREEZER BASE + 2 DRAWERS -15-20°C 1200MM
372212	Z7BAPL00RH	o	ZAN	REFRIGERATED BASE WITH 4 DRAWERS 1600 MM
372213	Z7BAPP00RH	p	ZAN	REFRIGERATED BASE WITH 6 DRAWERS 1600 MM
373120	A7BAPL00RE	q	OEM	REFRIGERATED BASE WITH 2 DRAWERS 1200 MM
373121	A7BAPL00RD	r	OEM	REFRIGERATED BASE WITH 2 DOORS 1200 MM
373122	A7BAPP00RE	s	OEM	REFRIGERATED BASE WITH 3 DRAWERS 1600 MM
373123	A7BAPP00RD	t	OEM	REFRIGERATED BASE WITH 3 DOORS 1600 MM
373124	A7BAPL00SO	u	OEM	FREEZER BASE + 2 DRAWERS -15-20°C 1200MM

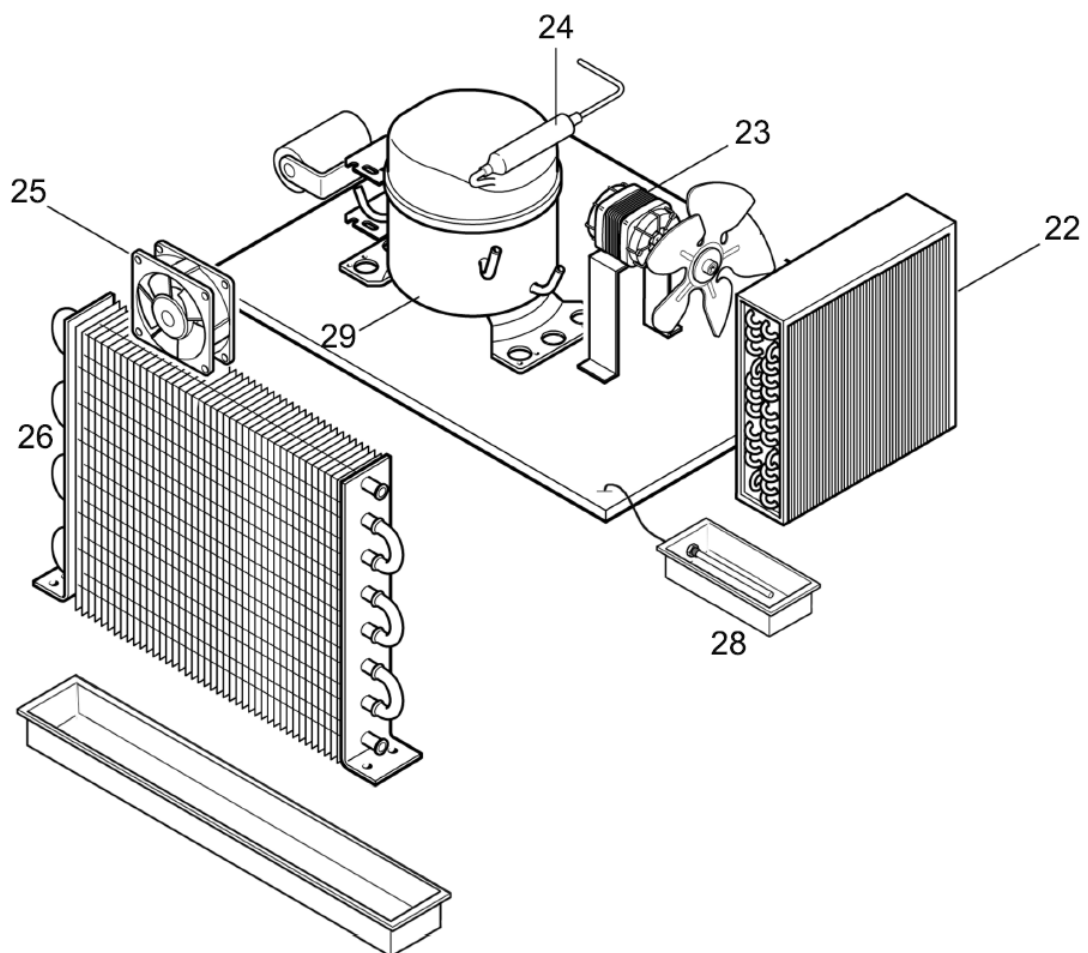
Pag.	Index	Indice	Note
2,3,4	General	Componenti Generali	
5,6	Components	Componenti gruppo	
7,8	Refrigerant unit	ref.	
	Spare parts list	Lista ricambi	

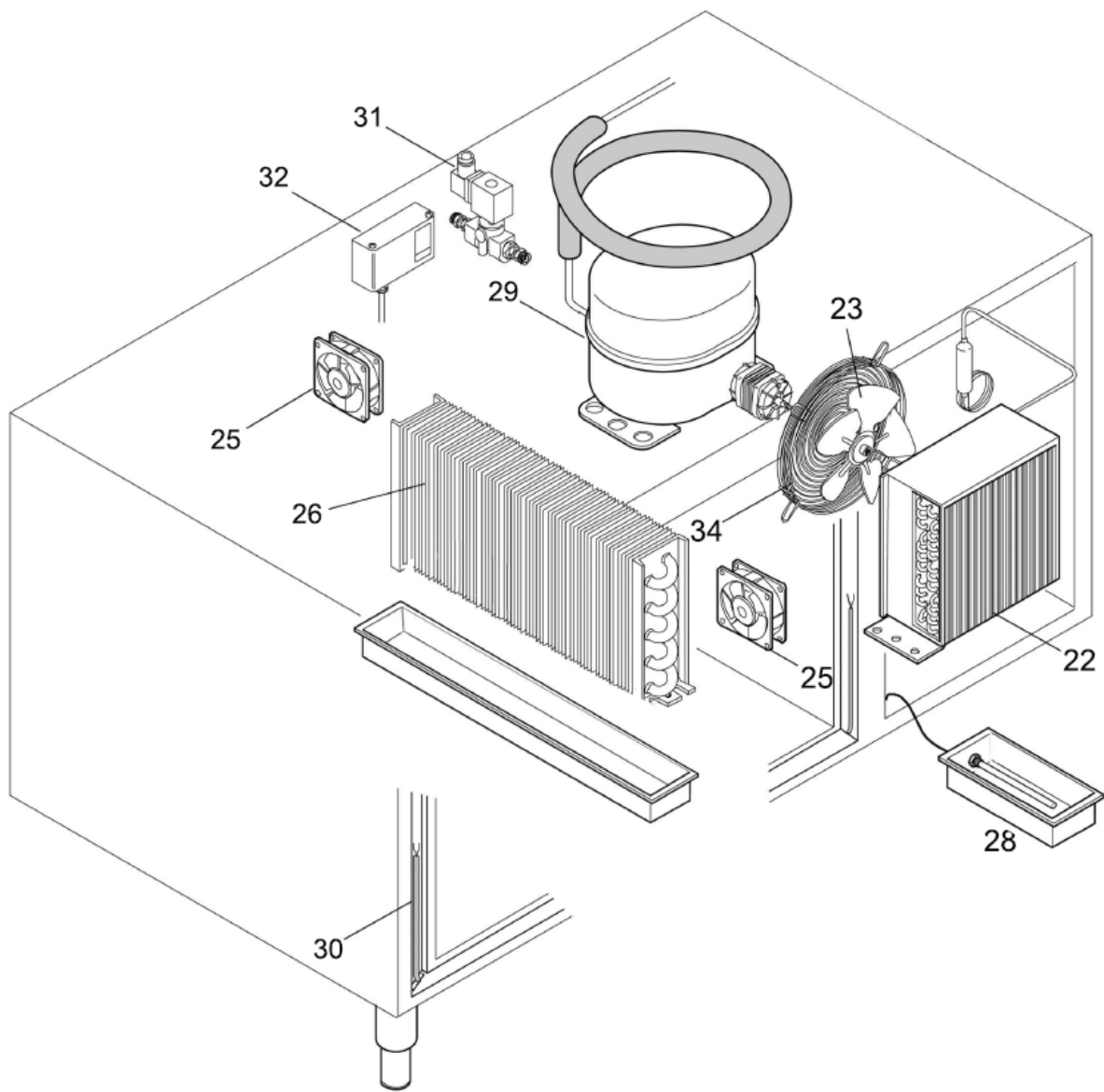
Brand/Marchio: All  
 Factory code: 9PDX











**FREEZER E BASE REFRIGERATA E700XP**  
**FREEZER AND REFRIGERATED BASE E700XP**

<i>Pos</i>	<i>Factory Code</i>	<i>Spare Code</i>	<i>Descrizione</i>	<i>Description</i>	<i>Ref./Note</i>
1	3960061	091243	Molletta	Spring	
2	3960077	091244	Perno filettato	Pin	
3	2505738		Cruscotto	Control panel	2 Drawers/Door
3	2505751		Cruscotto	Control panel	3 Drawers/Door
4	2505752		Griglia cruscotto	Grid for control panel	2 Drawers/Door
4	2505739		Griglia cruscotto	Grid for control panel	3 Drawers/Door
5	3700100	089013	Interruttore generale	Main switch	
6	3700125		Termoregolatore digitale	Digital Thermoregulator	Refrigerated base
6	3700126		Termoregolatore digitale per	Digital Thermoregulator for freezer	Freezer
7	2505716DX		Cerniera superiore destra	Right upper hinge	Refrigerated base
8	2505707		Cerniera inferiore destra	Right lower hinge	Refrigerated base
9	2505716SX		Cerniera superiore sinistra	Left upper hinge	Refrigerated base
10	2505708		Cerniera inferiore sinistra	Left lower hinge	Refrigerated base
11	2505647	091255	Guida destra per griglia	Right runner for grid	Refrigerated base
12	2505648	091256	Guida sinistra per griglia	Left runner for grid	Refrigerated base
13	3960138	091257	Griglia plastica gn1/1	Plastic grid gn 1/1	Refrigerated base
13	3960134	091258	Bacinella per raccolta condensa	Basin for collecting the condensate	Refrigerated base
15	3960084	091259	Piede 1"3/4	Foot 1"3/4	
<b>15a</b>	*	*	<b>Piede flangiato Marine</b>	<b>Marine foot</b>	
<b>16c</b>	<b>7505021</b>	<b>094125</b>	<b>Assieme Front. Cassettone</b>	<b>Drawer front panel assembly</b>	<b>ELUX</b>
<b>16c</b>	<b>7505029</b>	<b>094126</b>	<b>Assieme Front. Cassettone</b>	<b>Drawer front panel assembly</b>	<b>ZAN</b>
<b>16c</b>	<b>7505031</b>	*	<b>Assieme Front. Cassettone</b>	<b>Drawer front panel assembly</b>	<b>OEM</b>
<b>16c</b>	<b>7505042</b>	*	<b>Ass. Front. Cassettone freezer</b>	<b>Freezer drawer front panel assembly</b>	<b>ZAN</b>
<b>16c</b>	<b>7505046</b>	*	<b>Ass. Front. Cassettone freezer</b>	<b>Freezer drawer front panel assembly</b>	<b>OEM</b>
<b>16p</b>	<b>7505019</b>	<b>095121</b>	<b>Assieme Porta</b>	<b>Complete Door</b>	<b>ELUX</b>
<b>16p</b>	<b>7505030</b>	*	<b>Assieme Porta</b>	<b>Complete Door</b>	<b>ZAN</b>
<b>16p</b>	<b>7505032</b>	*	<b>Assieme Porta</b>	<b>Complete Door</b>	<b>OEM</b>
<b>17</b>	*	*	<b>Assieme Cassetto Superiore</b>	<b>Complete Upper drawer assembly</b>	<b>ELUX (34+35)</b>
<b>17</b>	*	*	<b>Assieme Cassetto Superiore</b>	<b>Complete Upper drawer assembly</b>	<b>ZAN (34+35)</b>
<b>18</b>	*	*	<b>Assieme Cassetto Inferiore</b>	<b>Complete Lower drawer assembly</b>	<b>ELUX (34+36)</b>
<b>18</b>	*	*	<b>Assieme Cassetto Inferiore</b>	<b>Complete Lower drawer assembly</b>	<b>ZAN (34+36)</b>
19	2505601	091267	Guarnizione magnetica gn 1/1	Magnetic gasket gn 1/1	
19	2505700		Guarnizione magnetica gn 1/1	Magnetic gasket gn 1/1	4-6 Drawers
20	3305032	091268	Coppia guide telescopiche	Couple of drivers	with Drawers
21	7320015		Gruppo refrigerato completo	Refrigerated cooling unit	+3C
21	3650086		Gruppo freezer completo	Freezer cooling unit	-24C
22	3650300		Condensatore	Condenser	
23	3650301		Motore-Ventilatore	Motorventilator	refrigerator
23	3650303		Motore-Ventilatore	Motorventilator	freezer
24	3650305		Filtro	Filter	
25	3650306		Ventola evaporatore	Evaporator's fan	refrigerator
25	3650308		Ventola evaporatore	Evaporator's fan	freezer
26	3650312		Evaporatore	Evaporator	freezer
26	3650310		Evaporatore	Evaporator	refrigerator

**FREEZER E BASE REFRIGERATA E700XP**  
**FREEZER AND REFRIGERATED BASE E700XP**

<i>Pos</i> <i>.</i>	<i>Factory</i> <i>Code</i>	<i>Spare</i> <i>Code</i>	<i>Descrizione</i>	<i>Description</i>	<i>Ref./Note</i>
29	3650314		Compressore	Compressor	refrigerator
29	3650316		Compressore	Compressor	freezer
30	3650089		Resistenza Cornice	Draining stopping heating element	freezer
31	3650318		Valvola solenoidale	Solenoid Valv	freezer
32	3650319		Pressostato	Pressure switch	freezer
32	3700089		Sonda NTC	NTC Probe	
33	*	*	Cassettone+guide	Drawer+guide	
34	*	*	Cassetto+guide	Drawer+guide	
35	<b>7505026</b>	<b>094751</b>	<b>Ass.me frontalino Superiore</b>	<b>Upper front panel assembly</b>	<b>Elux</b>
35	<b>7505022</b>	*	<b>Ass.me frontalino Superiore</b>	<b>Upper front panel assembly</b>	<b>Zan</b>
36	<b>7505027</b>	<b>094767</b>	<b>Ass.me frontalino Inferiore</b>	<b>Lower front panel assembly</b>	<b>Elux</b>
36	<b>7505023</b>	*	<b>Ass.me frontalino Inferiore</b>	<b>Lower front panel assembly</b>	<b>Zan</b>
<b>37</b>	*	*	<b>Ass. Cassettone congelatore</b>	<b>Complete drawer freezer assembly</b>	<b>ZAN (16c+33)</b>
<b>37</b>	*	*	<b>Ass. Cassettone congelatore</b>	<b>Complete drawer freezer assembly</b>	<b>OEM (16c+33)</b>