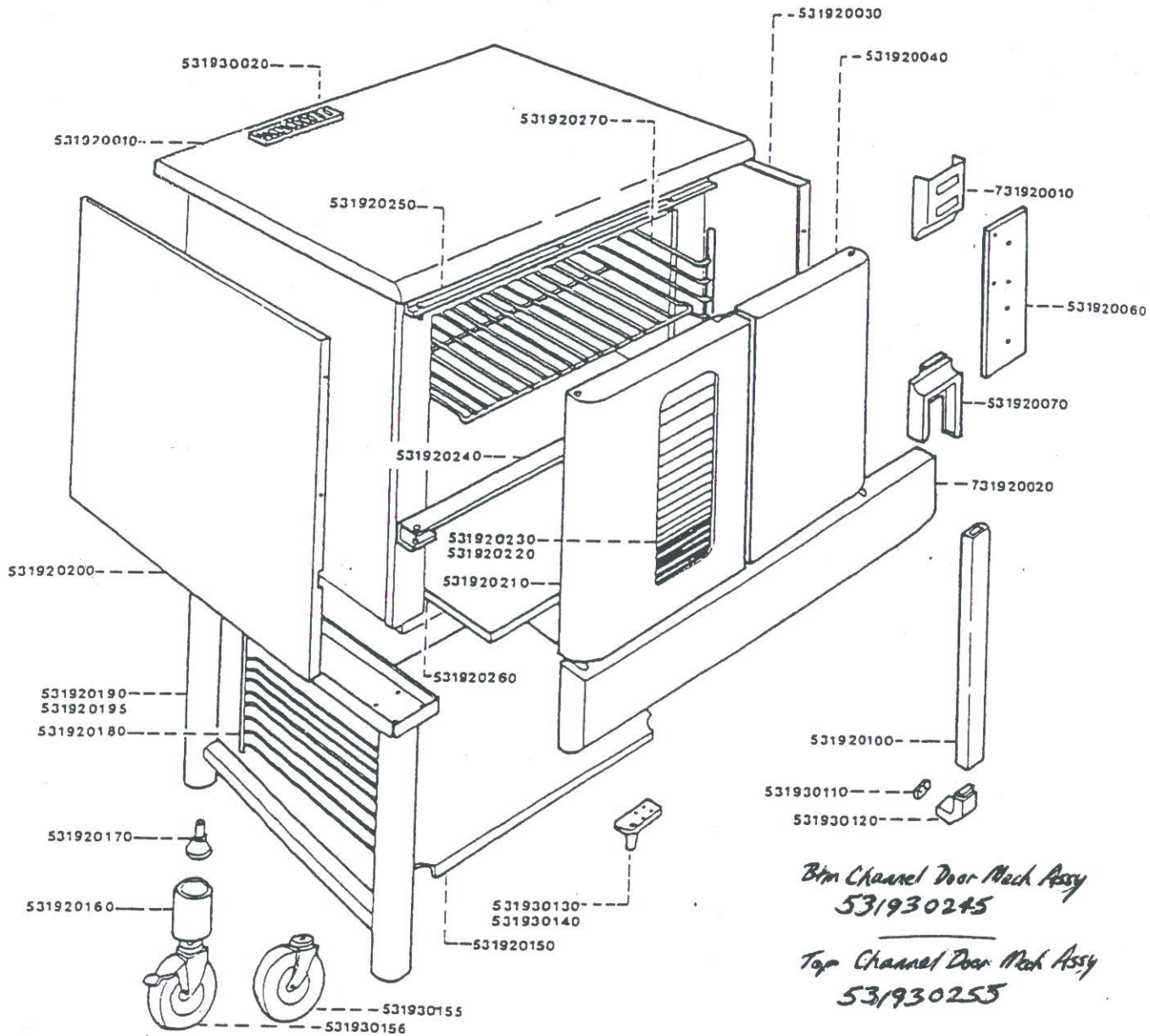


G7004 CONVECTION OVEN

FITMENTS



Code No.	Description
10G 531930010	Outer Top Panel
5D 531930020	Flue Exit Box
12E 531930030	Outer Side Panel—RH
8H 531930040	Oven Door Assembly—RH
11D 531930050	Control Panel—Top
11D 531930060	Control Panel—Centre
6E 531930070	Bottom Control Panel Trim
12F 531930080	Bottom Cover
8D 531930090	Bottom Cover Louvre
11D 531930100	Door Handle Tube
1B 531930110	Door Handle Gasket
10B 531930120	Door Handle Bracket
5C 531930130	Bottom Door Hinge—LH
5C 531930140	Bottom Door Hinge—RH
2F 531930150	Leg Stand Shelf
7C 531930155	Swivel Caster—Rear
10C 531930156	Swivel Caster—Front

Code No.	Description
12B 531920160	Leg Cover
6B 531920170	Adjustable Foot
11G 531930190	Leg Stand End Assembly
* 531930195	Optional Leg Stand for Castors
1F 531930200	Outer Side Panel—LH
6L 531930210	Oven Door Assembly—IH
10D 531930220	Oven Door Glass—Inner
12D 531930230	Oven Door Glass—Outer
6E 531930240	Door Support Angle—Bottom
12D 531930250	Door Support Angle—Top
9E 531930270	Shelf Hanger

731930070 Door Latch Strip

DOOR SEAL 531930525.
DOOR SEAL CLIPS (25 SET) 531920630.

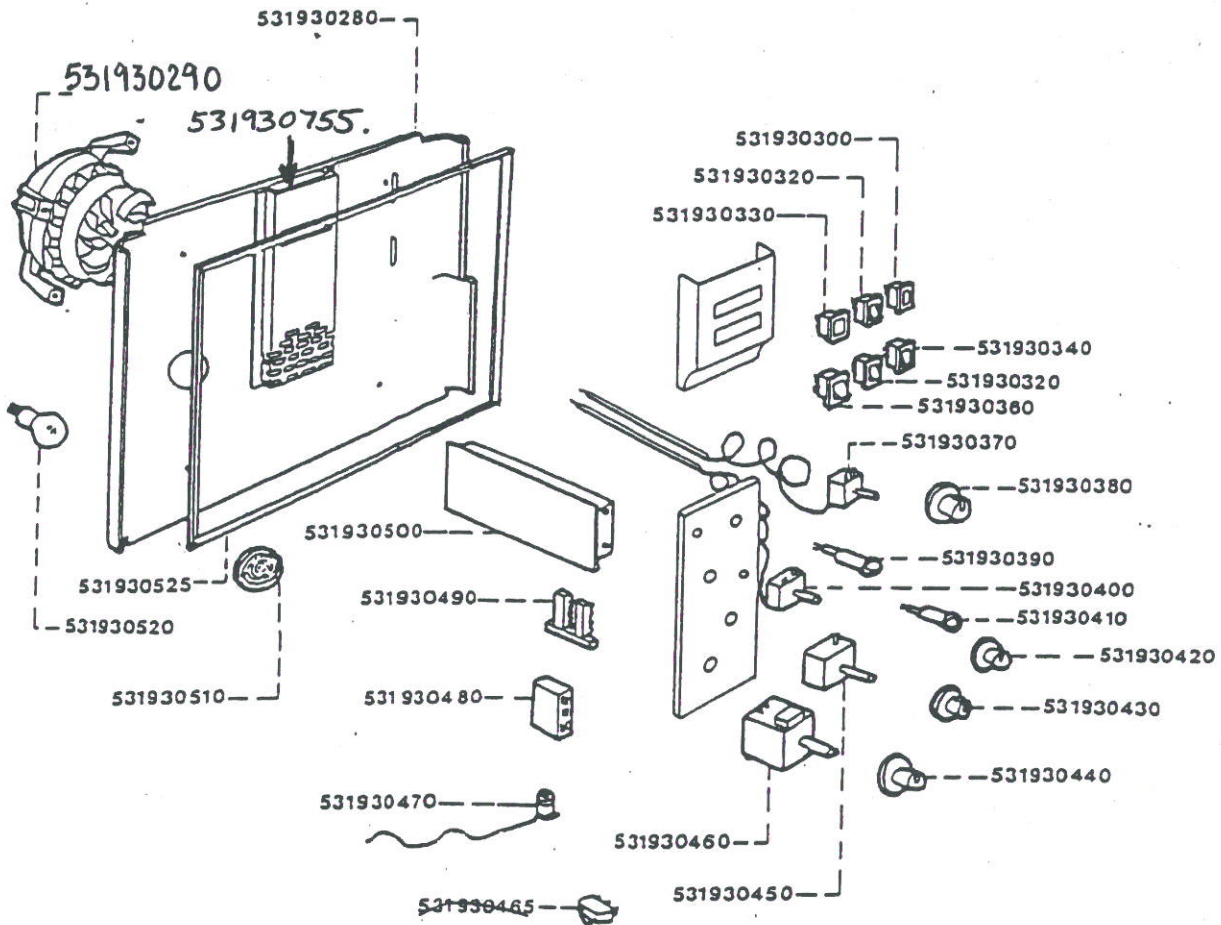
Sheet Reference Number

G7004/1185/001

**Falcon Catering
Equipment**
Commercial and institutional
catering equipment



Falcon Catering Equipment is a
business name of
Glynwed Consumer & Building Products Ltd,
a member of the
Glynwed International Ltd
group of companies.



Code No.	Description
531930290 - 10F	531930280 Oven Back Baffle
4N	531930290 Fan Motor
12B	531930300 Indicator Lamp—Ignition
12B	531930320 Rocker Switch—Fan and Cook
12B	531930330 Indicator Lamp—Heat
12B	531930340 Rocker Switch—Lights
12B	531930360 Rocker Switch—On/Off
12D	531930370 Thermostat—Cook
6B	531930380 Thermostat Knob—Cook
12B	531930390 Indicator—Cook Temp.
12D	531930400 Thermostat—Hold
12B	531930410 Indicator—Hold Temp.
6B	531930420 Thermostat Knob—Hold
6B	531930430 Timer Knob—Cook only
6B	531930440 Timer Knob—Cook and Hold
2F	531930450 Timer—Cook Only
1F	531930460 Timer—Cook and Hold.
	531925260 MICROSWITCH.

Code No.	Description
5E	531930470 Buzzer
1E	531930480 Igniter Box
9B	531930490 Terminal Block
8J	531930500 Gas Control Unit
12B	531930510 Oven Lamp Glass
6B	531930520 Oven Lamp
10D	531930525 Door Seal
	531930295 PRESSURE SWITCH.
	734310380 PROVING RELAY.
	734310385 RELAY BASE.

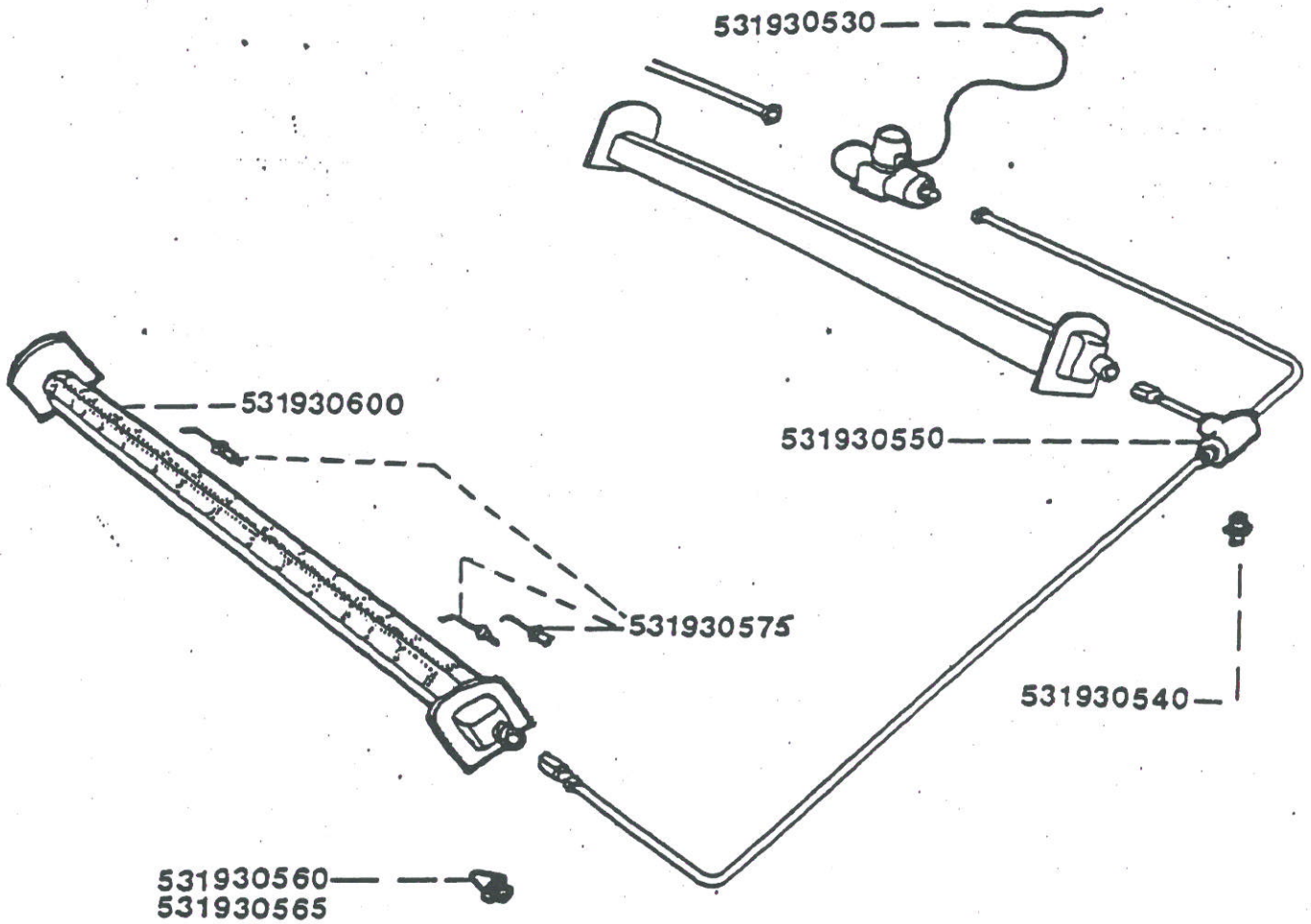
Sheet Reference Number

G7004/1185/002

Falcon Catering Equipment
Commercial and institutional catering equipment

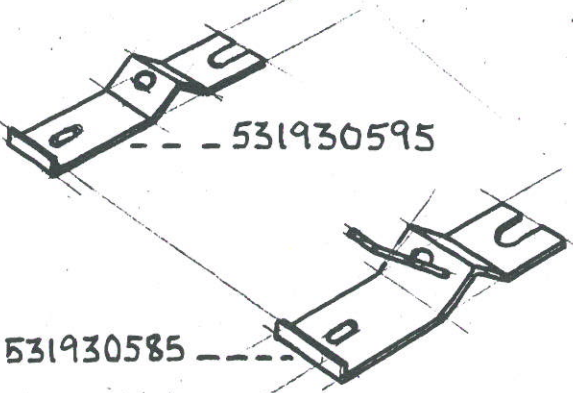


Falcon Catering Equipment is a business name of Clywed Consumer & Building Products Ltd a member of the Clywed International plc group of companies



Code	No.	Description
11H	531930530	Solenoid Valve
1B	531930540	Pressure Test Nipple
1B	531930550	T Piece with Test Point Tapping
1B	531920580	Injector Nat. Gas
1B	531920585	Injector L.P. Gas
8B	531930575	Electrode (4 per unit)
6C	531930585	Electrode Bracket Assembly (2 per unit)
5C	531930595	Electrode Bracket (2 per unit)
8F	531920600	Burner

531920580 - SET-FOUR ELECTRODE LEADS W/ SLEEVEING.
 531935000 - CONVERSION TO NEW IGNITION SYSTEM.



Sheet Reference Number

G7004/1185/003



Falcon Catering Equipment is a business name of Clymwed Consumer & Building Products Ltd a member of the Clymwed International plc group of companies