



G 500

LIST OF THE EXPLODED VIEWS



SHELL ASSY

COOLING SYSTEM

EVAPORATOR

HYDRAULIC CIRCUIT

ELECTRIC PARTS

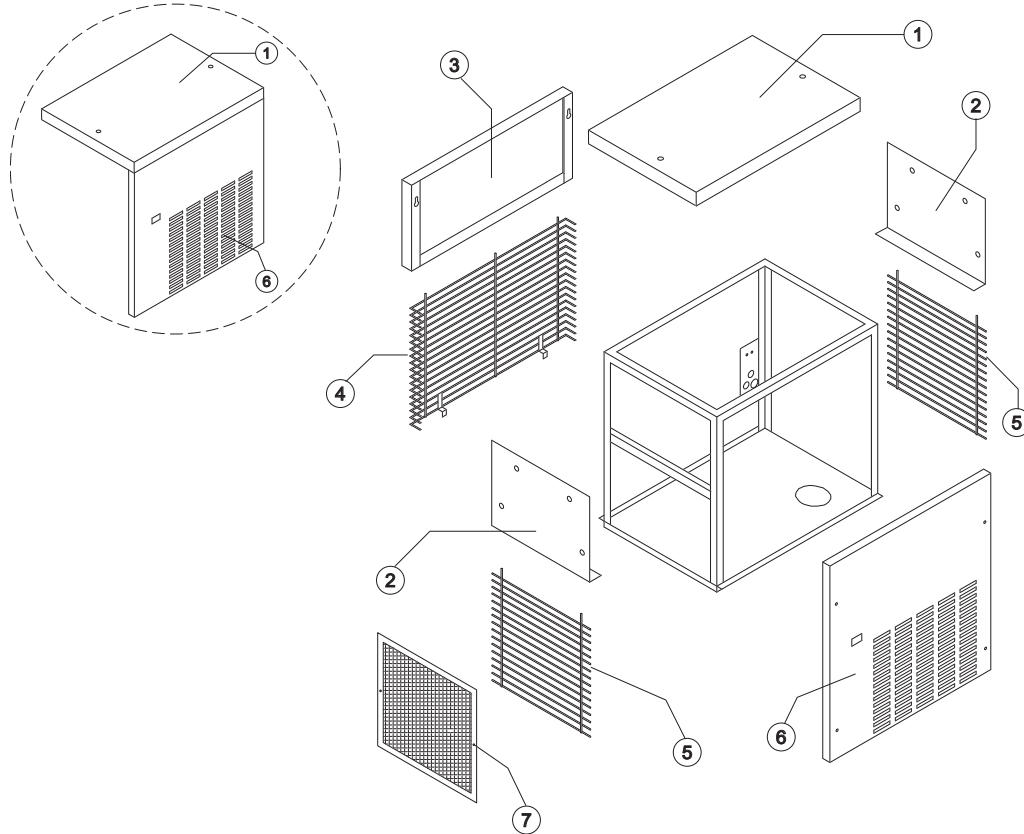
Rev. 8 - 28/05/2009



G 500

SHELL ASSY

Till s/n. 449326



Common Parts

Ref.	Spare Description	Code	
1	Top	Current Version	221122
1	Top	Till s/n. 449326	22667
2	Right/Left Side Panel		22663
3	Rear Panel		22665
4	Rear Grid		D12060
5	Lateral Grid		D12061
6	Front Panel Assembly	Current Version	C221138B
6	Front Panel Assembly	Till s/n. 449326	C22662B

Parts for Air-Cooled Version Only

Ref.	Spare Description	Code
7	Filter	18163



G500

COOLING SYSTEM

Common Parts

Ref.	Spare Description	Code
1	Compressor	See Table
2	Vacuum-Charge Valve Body	14007
3	Vacuum-Charge Valve Device	14005
4	Vacuum-Charge Valve Plug	14006
7	Solid Core Drier	14084

Parts for Air-Cooled Version Only

Ref.	Spare Description	Code
6	Sucking Fan	20407
8	Air Condenser	Current Version
8	Air Condenser Assy	Till s/n. 194938

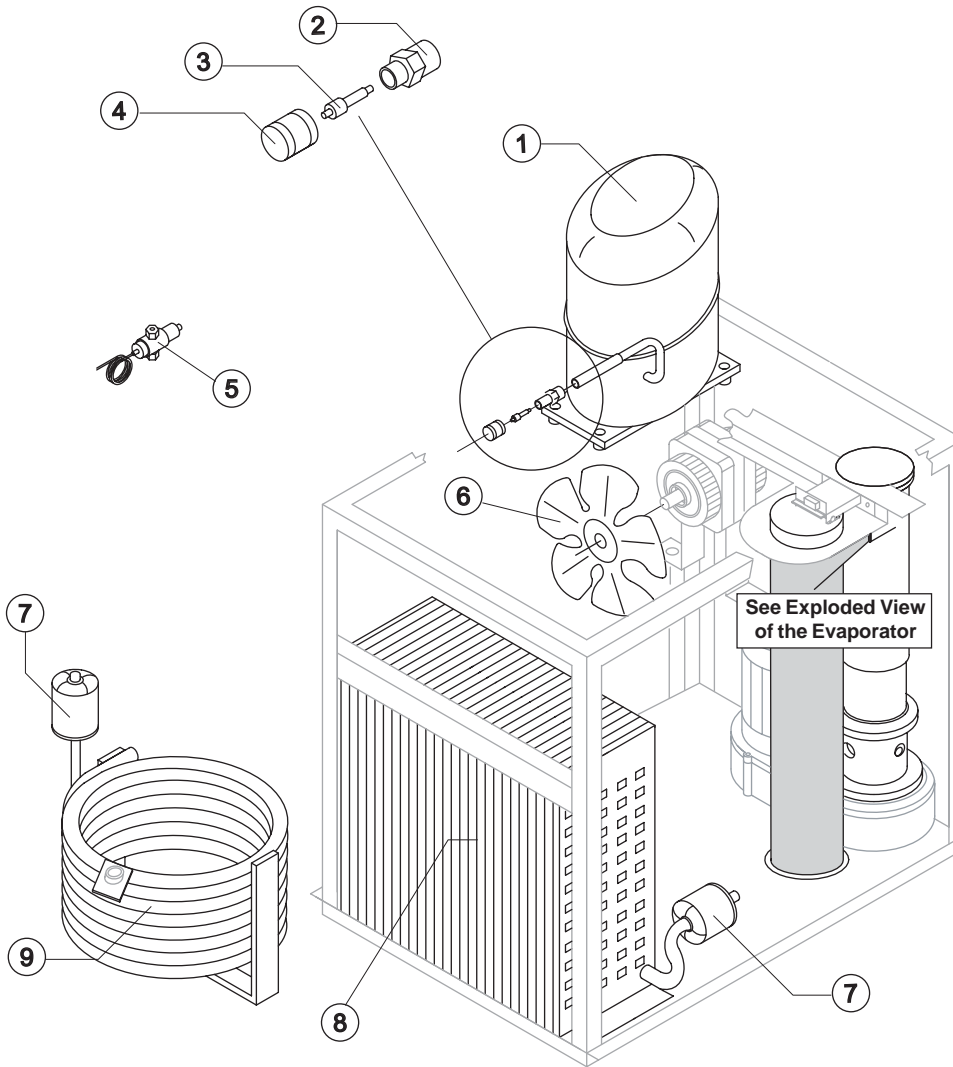
Parts for Water-Cooled Version Only

Ref.	Spare Description	Code
5	Pressostatic Valve	20210
6	Sucking Fan	10213
9	Water Condenser	14212

Ref. 1 - Compressor

Tension	Code	Notes
T11	23543	
T12	23642	
T15	23588	Current Version
T15	23589	Till s/n. 188963
T18	23642	

Rev. 8 - 28/05/2009



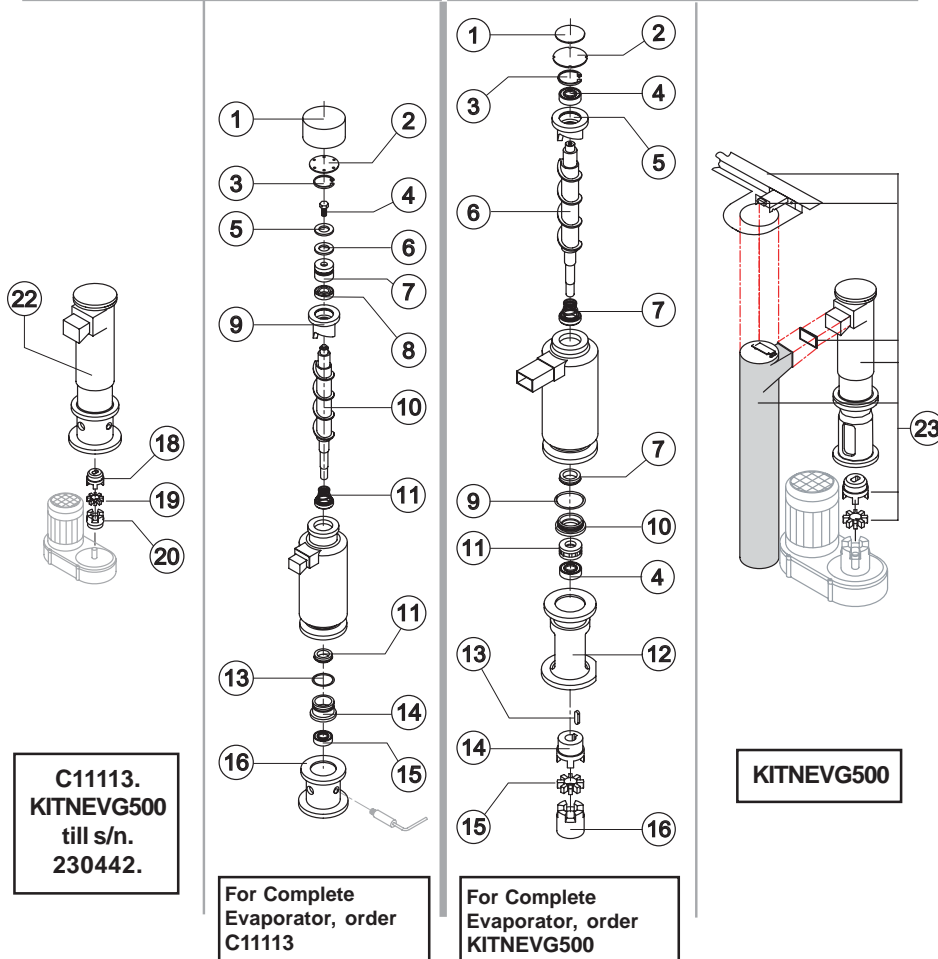


G500

EVAPORATOR

Current Version

Till s/n.155369



Ref.	Spare Description (Current Version)	Code
1	Insulating Cap	18165
2	Closing Disk	22670
3	Seeger	20116
4	Stainless Steel Screw	Current Version 20664
4	Stainless Steel Screw	Till s/n. 169028 15094
5	Shimming Disk	22829
6	Self-Lubricating Disk	20639
7	Stainless Steel Thrust Bearing	Current Version 20685
7	Stainless Steel Thrust Bearing	Till s/n. 205975 20648
8	OR Gasket 4137	Current Version 20689
8	Seal Ring	Till s/n. 205975 20640
9	Ice Breaker	Current Version 20781
9	Ice Breaker	Till s/n. 219167 R20645
10	Auger	Current Version 20780
10	Auger with Screw	Till s/n. 219167 C20646
11	Ceramic Seal	20643
13	OR Gasket 4312 NBR	20205
14	Reduction Ring	20647
15	Stainless Steel Bearing	20113
16	Flange	20644
18	Semi-Joint Upper	D20642
19	Vibration-Damping Elastomer	20494
20	Semi-Joint Lower	D20493
22	Evaporator Assy	Current Version C11113
22	Evaporator Assy	Till s/n. 230442 KITNEVG500

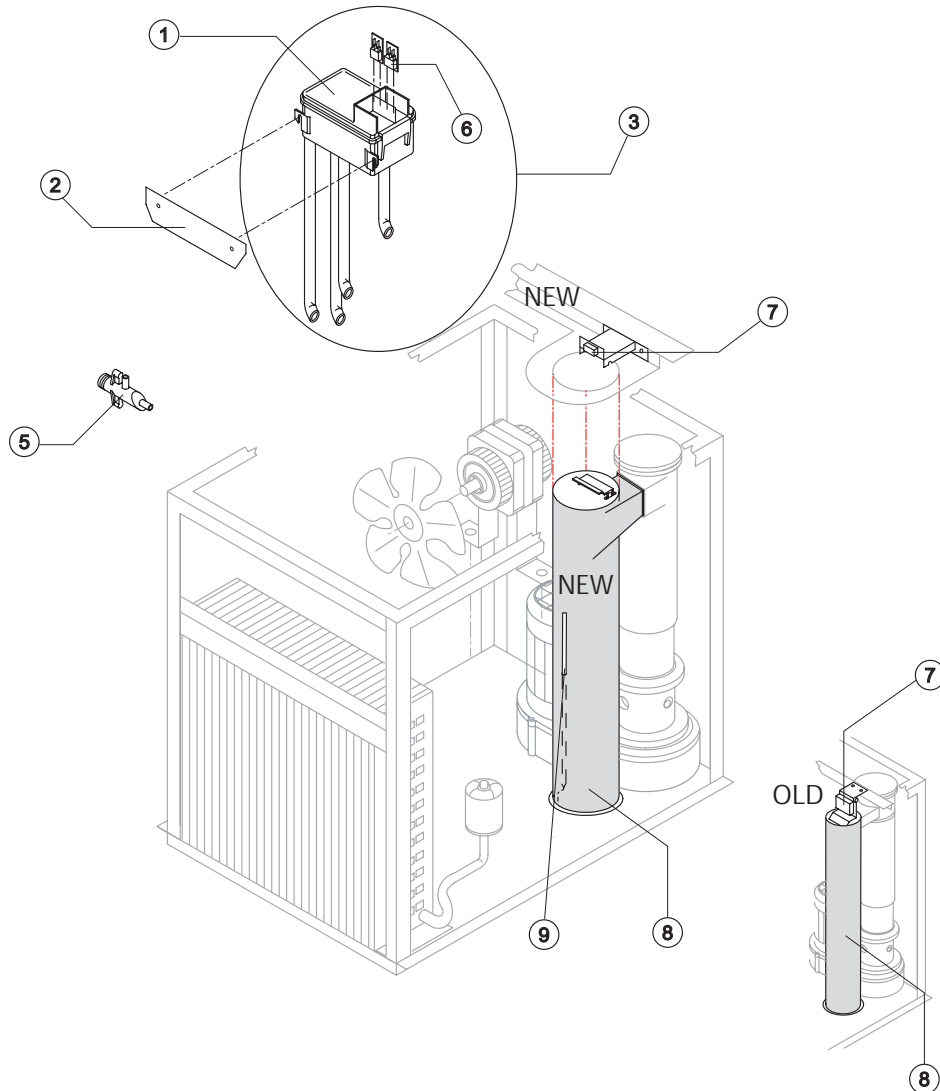
Ref.	Spare Description (Till s/n.155369)	Code
1	Insulating Sponge	18125
2	Closing Disk	22670
3	Seeger	20116
4	Stainless Steel Bearing	20113
5	Ice Breaker	20503
6	Auger	20516
7	Ceramic Seal	20110
9	OR Gasket 4312 NBR	20205
10	Ring for Ceramic Seal	20504
11	Stainless Steel Thrust Bearing	20111
12	Flange	20482
13	Key	20431
14	Semi-Joint Upper	D20517
14	Semi-Joint Upper	Till s/n. 81178 D20493
15	Vibration-Damping Elastomer	20494
16	Semi-Joint Lower	D20493
23	Evaporator Assy	ex C11106 KITNEVG500

Rev. 8 - 28/05/2009



G 500

HYDRAULIC CIRCUIT



Common Parts

Ref.	Spare Description	Code
1	Double Switch Basin	10145
2	Basin Support Plate	21133
3	Double Switch Basin Assembly	C10314
6	Microswitch	23055
7	Bin Level Control Microswitch	Current Version 23196
7	Bin Level Control Switch	Till s/n. 230442 C22099
8	Ice Outlet Pipe Assy	Current Version C10460
8	Ice Outlet Pipe Assy	Till s/n. 230442 C13115
9	Bin bulb holder	20621

Parts for Air-Cooled Version Only

Ref.	Spare Description	Code
5	Discharges Manifold	C10052

Parts for Water-Cooled Version Only

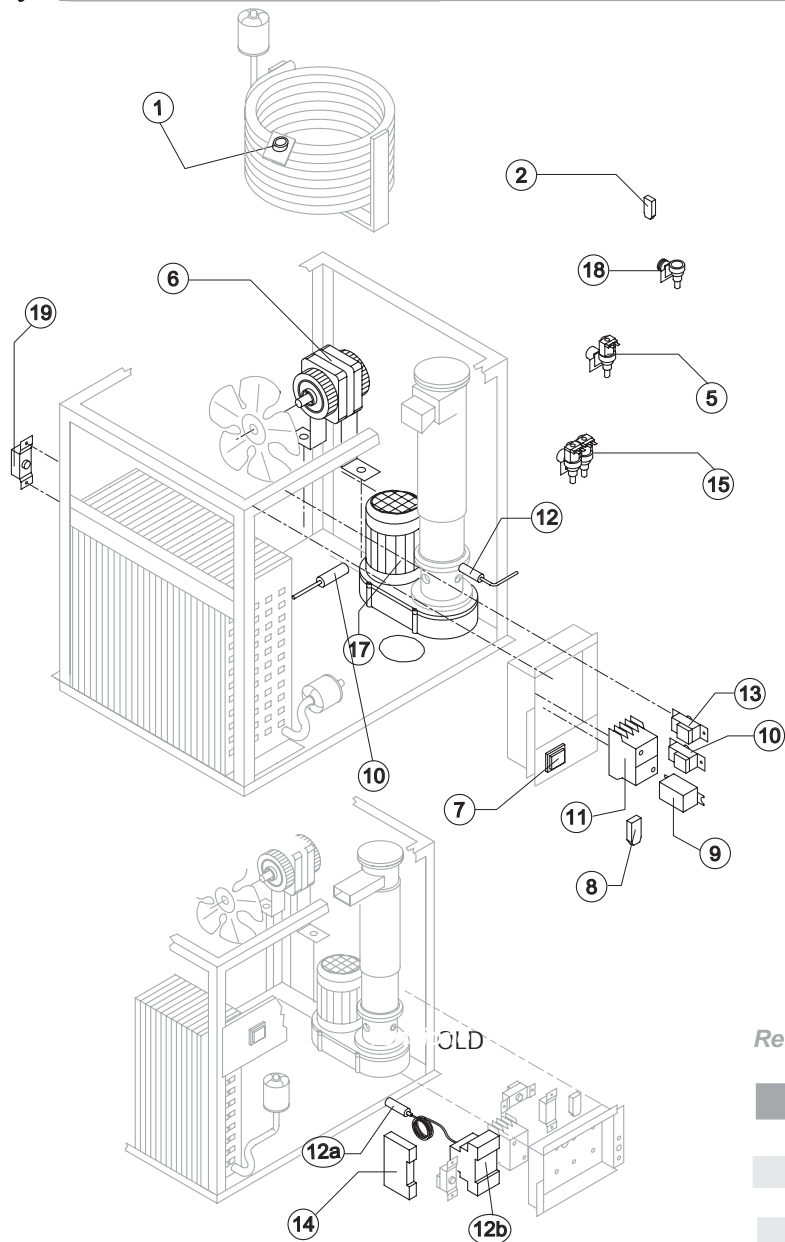
Ref.	Spare Description	Code
5	Discharges Manifold	C10053

Rev. 8 - 28/05/2009



G500

ELECTRIC PARTS



Common Parts

Ref.	Spare Description	Code
2	Anti Radio Interference Filter	C23457
5	1 Way- Water Inlet Valve	23115
7	Green Light Switch (On-Off)	23327
10	Low pressure safety switch	Current Version 23909
10	Evaporator Thermostat	Till s/n. 449471 R23034
11	Contactur	23147
12	Rotation Sensor	Current Version R23676
12a	Probe of Rotation Sensor	Till s/n. 188580 23634
12b	Rotation Sensor Switchboard	Till s/n. 188580 23633
13	Bin Thermostat	R23421
14	Electronic Timer	Till s/n. 155369 23560
17	Gearmotor	Current Version See Table
17	Gearmotor	Till s/n. 155369 23571
19	Safety Pressure Switch	23342

Parts for Air-Cooled Version Only

Ref.	Spare Description	Code
6	Fan Motor	23121
8	Anti Radio Interference Filter	C23459
9	Condenser Pressure Switch	See Table -

Parts for Water-Cooled Version Only

Ref.	Spare Description	Code
1	Safety Thermostat	Till s/n. 138027 C23114
6	Fan Motor	See Table -
15	2 Ways- Water Inlet Valve	Till s/n. 123470 C23192
18	1 Way- Water Inlet Nipple	10368

Ref. 6 - Fan motor -

Water cooled version	
Tension	Code
T11	23029
T12	23029
T15	23029
T18	23682

Ref. 9 - Cond. Pressure Switch

Tension	Code
T11	23175
T12	23175
T15	23175
T18	23680

Ref. 17 - Gearmotor

Tension	Code
T11	23638
T12	23638
T15	23638
T18	23853