



Kochgeräte Grillplatten Serie 700

Artikel-Nr. 133001, 133002, 133003, 133009, 133010, 133011, 133012,
133013, 133014, 133015
(418031-131220, -136220, -131421, -531220, -536220, -532220, -531421, -
536421, -534421, -532421)

Explosionszeichnung

SPARE PARTS CATALOGUE

Introduction:

This catalog enables to recognize our appliances' main spare parts reading the single exploded views.

How to look up in our catalogue :

Hereunder we describe the correct method to look up in our catalogue, in order to locate the desired spare part in a quicker and more precise way.

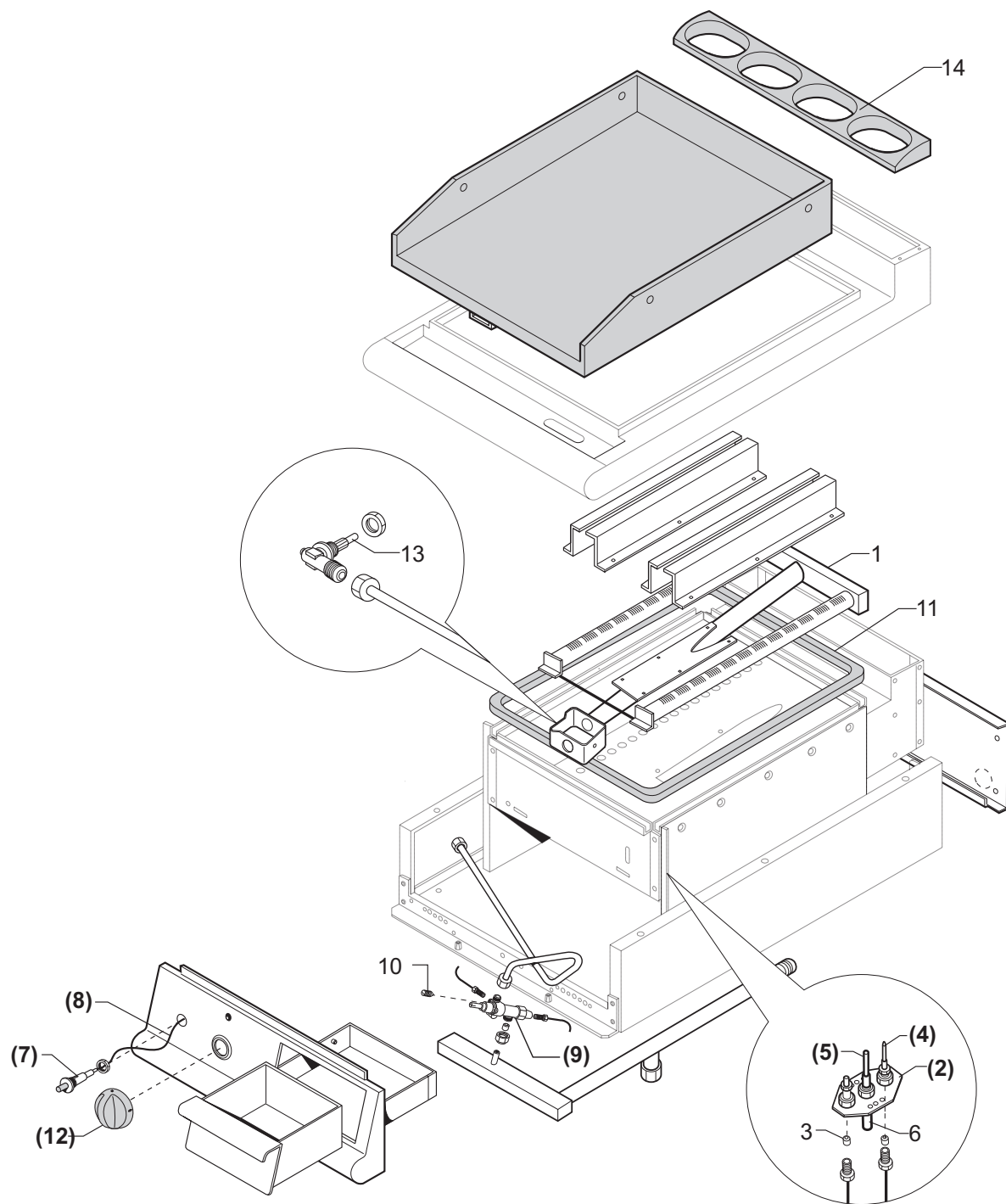
For Example: You need the component's code-number of a gasrange with burners 1/1M.

- 1) Find the appliance's model and serial number on the rating plate.
(The rating plates are positioned in the internal side of the control panel).
- 2) Search for the belonging family in the index (BCPxxx-(0B)) . (f.ex. Gasrange with burners - top 1/1M).
- 3) After you have found the corresponding table you verify if the appliance's serial number is subsequent to that one indicated in the table.
- 4) You locate the desired spare part in the drawing on the left, and find the corresponding position in the table on the right.
- 5) Hence you obtain the codenumber and the description of the spare part you need.

LEGEND:

| Position on the EXPLODED VIEW | | | X => Recommended spare part | | | |
|-------------------------------|-----------|------------------------------|-----------------------------|------|---|--|
| Article's codenr. | | Technical description | Quantity x each model | | Series | |
| | | | | | 1/2M => L=40 cm. 1/1M => L=80 cm. 1+1/2M => L=120 cm. | |
| Pos | Codice | Descrizione | 700 | 1/1M | | |
| 1 | 822410081 | Medium burner head (Dm.102) | | 1 | | |
| 2 | 822410051 | Medium venturi duct (Dm.102) | | 1 | | |
| 14 | 826920140 | Pilot burner | x | 2 | | |

cine



(.....) RICAMBIO CONSIGLIATO
 (.....) SUGGESTED SPARE-PARTS

FRY-TOP A GAS (Serie 700 - 1/2M)
 GAS FRY-TOP (Serie 700 - 1/2M)

Tav. Rif. BCP0070-(16)

RIF. Da matricola n°
 REF. From serial n°

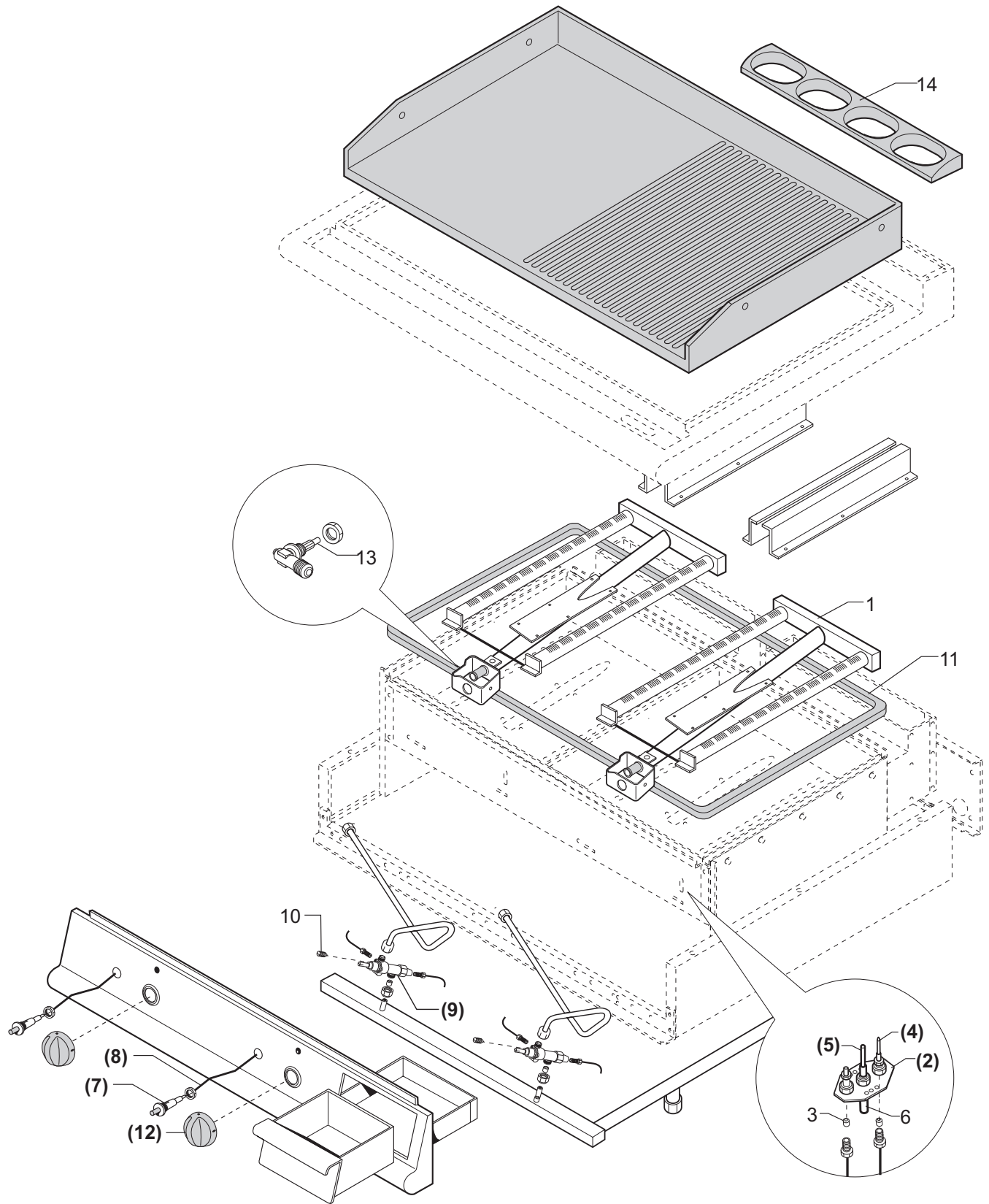
Versione Normale
 Normal version

Rev.01 del 28/10/1999

Baron Cucine Professionali S.r.l.

RIPRODUZIONE, ANCHE PARZIALE, VIETATA

BCP0070-(15)



(.....) RICAMBIO CONSIGLIATO
 (.....) SUGGESTED SPARE-PARTS

FRY-TOP A GAS (Serie 700 - 1/1M)
 GAS FRY-TOP (Serie 700 - 1/1M)

Tav. Rif. BCP0070-(18)

RIF. Da matricola n°
 REF. From serial n°

Versione Normale
 Normal version

Rev.00 del 16/06/1997

Baron Cucine Professionali S.r.l.

RIPRODUZIONE, ANCHE PARZIALE, VIETATA

BCP0070-(17)

GAS FRY-TOP

Normal version (1/1M)

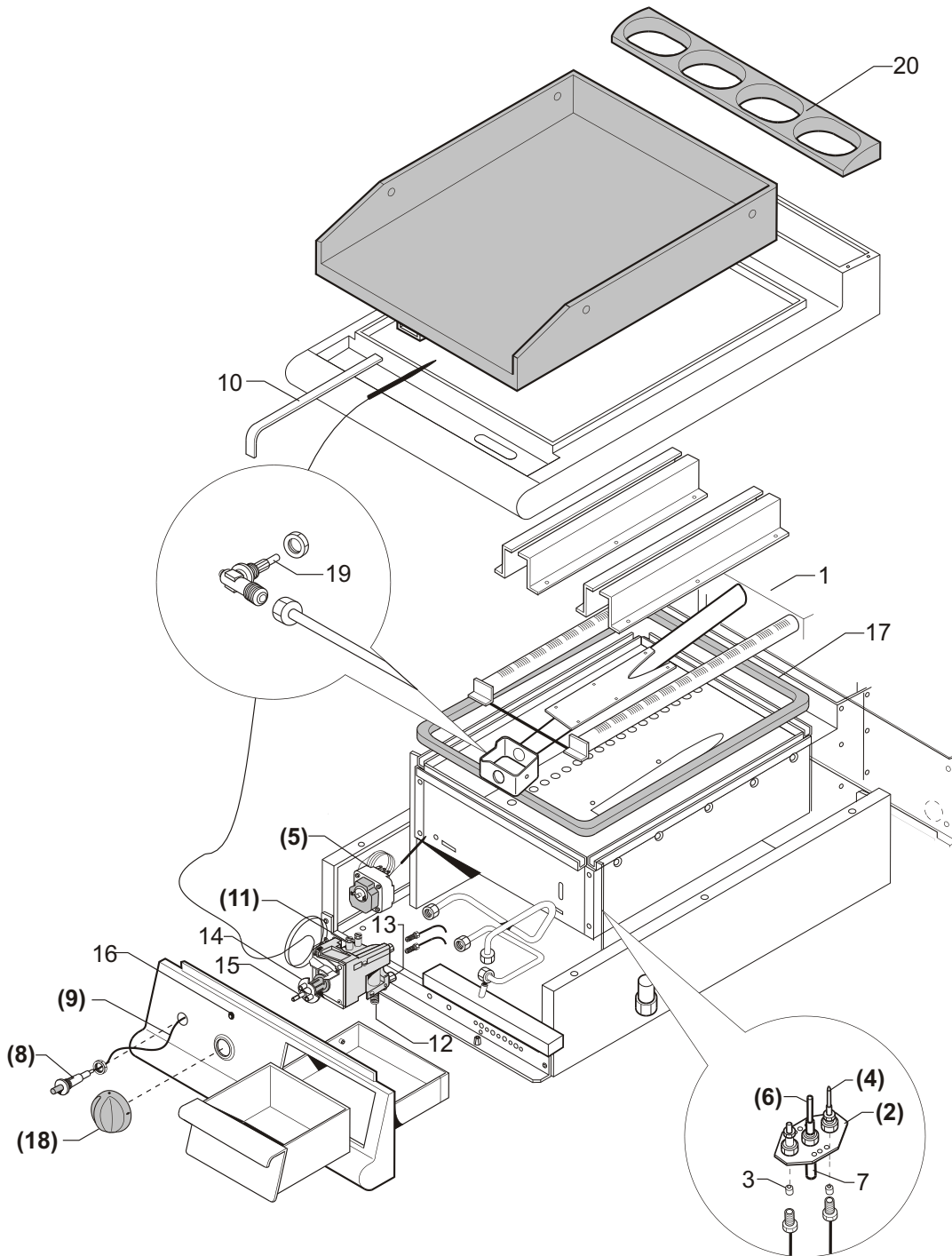
cucine p

| Pos | Code | Denomination | 700 | | | | | | |
|-----|-----------|--|------|-----|--|--|--|--|--|
| | | | 1/1M | | | | | | |
| 1 | 826390023 | Burner Fry-Top 700 | | 2 | | | | | |
| 2 | 826920030 | Pilot burner | x | 2 | | | | | |
| 3 | 822140120 | Pilot nozzle N.27 | | 2 | | | | | |
| 3 | 822140380 | Pilot nozzle N.19 (GPL) | | 2 | | | | | |
| 4 | 826920080 | Quick themocouple M9x1 L=850 | x | 2 | | | | | |
| 5 | 826650010 | Spark plug | x | 2 | | | | | |
| 6 | 822450070 | Plug holder | | 2 | | | | | |
| 7 | 826630020 | Piezo lighter | x | 2 | | | | | |
| 8 | 826690011 | Lighter cable L=650 mm | x | 2 | | | | | |
| 9 | 826920040 | Gas tap PEL 21S | x | 2 | | | | | |
| 10 | 822450230 | Minimum adjusting screw 0,75 (PEL 21S) | | 2 | | | | | |
| 10 | 822450250 | Minimum adjusting screw 0,85 (PEL 21S) | | 2 | | | | | |
| 10 | 822450290 | Minimum adjusting screw 1,30 (PEL 21S) | | 2 | | | | | |
| 10 | 822450360 | Minimum adjusting screw 1,45 (PEL 21S) | | 2 | | | | | |
| 11 | 825110080 | Gasket (per meter) | | 2,5 | | | | | |
| 12 | 824710070 | Knob Fry-Top with thermostat | x | 2 | | | | | |
| 13 | 822140010 | Nozzle Ø=1.10 | | 2 | | | | | |
| 13 | 822140020 | Nozzle Ø=1.25 | | 2 | | | | | |
| 13 | 822140050 | Nozzle Ø=1.90 | | 2 | | | | | |
| 13 | 822140060 | Nozzle Ø=2.10 | | 2 | | | | | |
| 14 | 822410120 | Exhaust grid | | 2 | | | | | |

X: Suggested PARTS

| | | |
|---|--------------|-----------------------------------|
| FRY-TOP GAS TOP (Serie 700 - 1/1M) GAS FRY-TOP Versione Normale Normal version | RIF. REF. | Da matricola n° From serial n° |
| Baron Cucine Professionali S.r.l. | GB | BCP0070-(18) |

cin



(.....) RICAMBIO CONSIGLIATO
 (.....) SUGGESTED SPARE-PARTS

FRY-TOP A GAS (Serie 700 - 1/2M)
 GAS FRY-TOP (Serie 700 - 1/2M)

Tav. Rif. BCP0070-(20)

RIF. Da matricola n°
 REF. From serial n°

Versione con PIASTRA acciaio e/o CROMO
 Version steel and/or chromed plate

Rev.01 del 28/10/1999

Baron Cucine Professionali S.r.l.

RIPRODUZIONE, ANCHE PARZIALE, VIETATA

BCP0070-(19)

GAS FRY-TOP

cine p

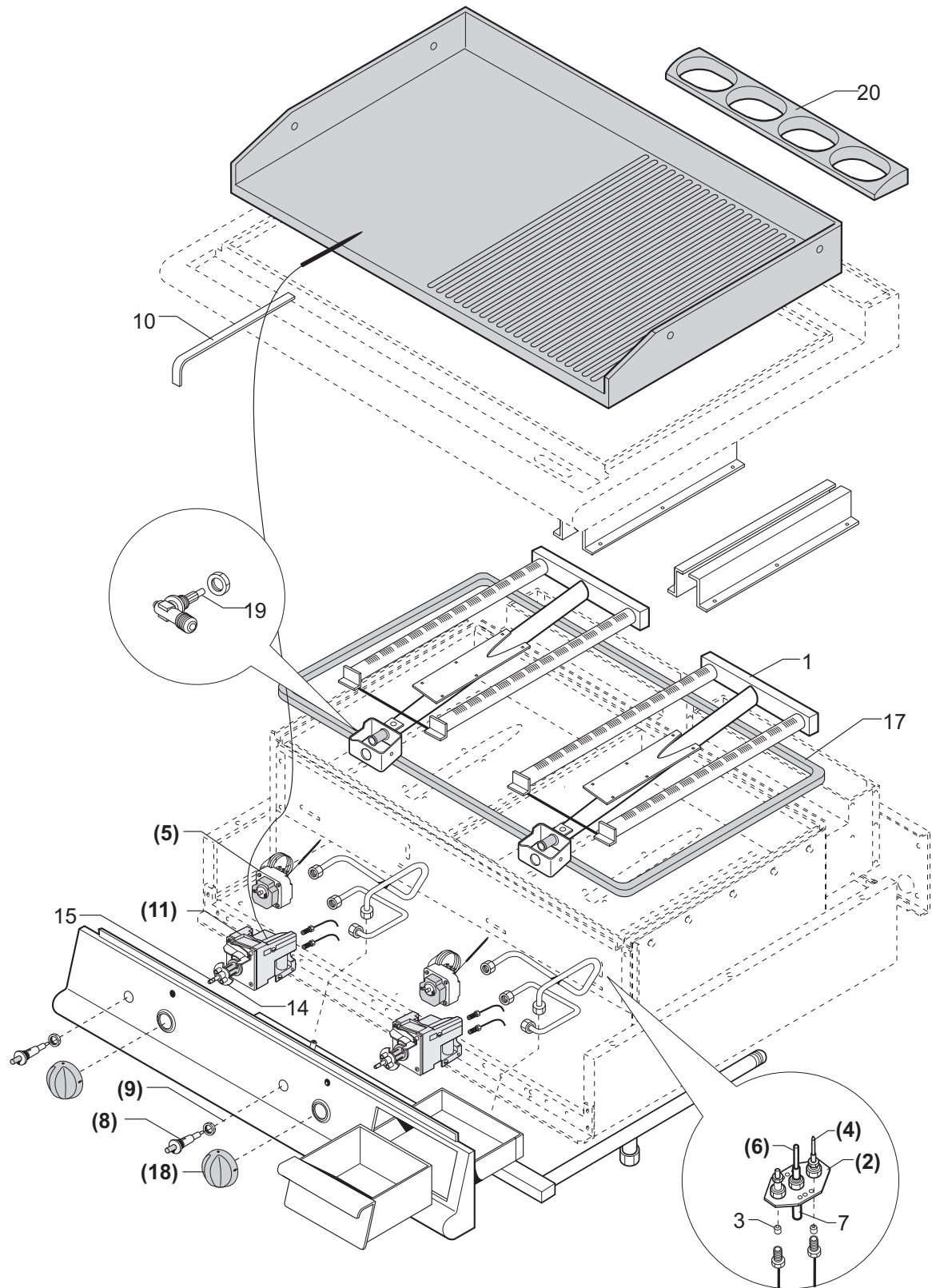
Version steel and/or chromed plate (1/2M)

| Pos | Code | Denomination | 700 | 1/2M | | | | | |
|-----|-----------|-------------------------------------|-----|------|--|--|--|--|--|
| 1 | 826390023 | Burner Fry-Top 700 | | 1 | | | | | |
| 2 | 826920030 | Pilot burner | x | 1 | | | | | |
| 3 | 822140120 | Pilot nozzle N.27 | | 1 | | | | | |
| 4 | 822140380 | Pilot nozzle N.19 (GPL) | | 1 | | | | | |
| 4 | 826920080 | Quick thermocouple M9x1 L=850 | x | 1 | | | | | |
| 5 | 826920050 | Interrupted thermocouple M9x1 L=600 | x | 1 | | | | | |
| 6 | 826630010 | Safety thermostat | x | 1 | | | | | |
| 7 | 826650010 | Spark plug | x | 1 | | | | | |
| 8 | 822450070 | Plug holder | | 1 | | | | | |
| 9 | 826630020 | Piezo lighter | x | 1 | | | | | |
| 10 | 826690011 | Lighter cable L=650 mm | x | 1 | | | | | |
| 11 | 821110010 | Bulb retainer | | 1 | | | | | |
| 12 | 826920010 | EUROSIT valve gas | x | 1 | | | | | |
| 13 | 822450020 | Valve cap | | 2 | | | | | |
| 14 | 822450170 | 3/8" Nipple for valve | | 2 | | | | | |
| 15 | 824710060 | Connection | | 1 | | | | | |
| 16 | 822160011 | Extension for Knob | | 1 | | | | | |
| 17 | 825110080 | Gasket (per meter) | | 2 | | | | | |
| 18 | 824710070 | Knob Fry-Top with thermostat | x | 1 | | | | | |
| 19 | 822140010 | Nozzle Ø=1.10 | | 1 | | | | | |
| 19 | 822140020 | Nozzle Ø=1.25 | | 1 | | | | | |
| 19 | 822140050 | Nozzle Ø=1.90 | | 1 | | | | | |
| 19 | 822140060 | Nozzle Ø=2.10 | | 1 | | | | | |
| 20 | 822410120 | Exhaust grid | | 1 | | | | | |
| | | | | | | | | | |
| | | | | | | | | | |
| | | | | | | | | | |
| | | | | | | | | | |
| | | | | | | | | | |
| | | | | | | | | | |
| | | | | | | | | | |
| | | | | | | | | | |
| | | | | | | | | | |
| | | | | | | | | | |
| | | | | | | | | | |
| | | | | | | | | | |
| | | | | | | | | | |
| | | | | | | | | | |
| | | | | | | | | | |
| | | | | | | | | | |
| | | | | | | | | | |
| | | | | | | | | | |

X: Suggested PARTS

| | | |
|---|----|---|
| FRY-TOP GAS TOP (Serie 700 - 1/2M) GAS FRY-TOP | | RIF. Da matricola n° REF. From serial n° |
| Versione con Piastra acciaio e/o Cromo Version steel and/or chromed plate | | |
| Baron Cucine Professionali S.r.l. | GB | BCP0070-(20) |
| RIPRODUZIONE ANCHE PARZIALE, VIETATA | | |

cine



(.....) RICAMBIO CONSIGLIATO
 (.....) SUGGESTED SPARE-PARTS

FRY-TOP A GAS (Serie 700 - 1/1M)
 GAS FRY-TOP (Serie 700 - 1/1M)

Tav. Rif. BCP0070-(22)

RIF. Da matricola n°
 REF. From serial n°

Versione con PIASTRA acciaio e/o CROMO
 Version steel and/or chromed plate

Rev.00 del 16/06/1997

Baron Cucine Professionali S.r.l.

RIPRODUZIONE, ANCHE PARZIALE, VIETATA

BCP0070-(21)

GAS FRY-TOP

cinge p

Version steel and/or chromed plate (1/1M)

| Pos | Code | Denomination | 700 | 1/1M | | | | | |
|-----|-----------|-------------------------------------|-----|------|--|--|--|--|--|
| 1 | 826390023 | Burner Fry-Top 700 | 2 | | | | | | |
| 2 | 826920030 | Pilot burner | x | 2 | | | | | |
| 3 | 822140120 | Pilot nozzle N.27 | | 2 | | | | | |
| 4 | 822140380 | Pilot nozzle N.19 (GPL) | | 2 | | | | | |
| 4 | 826920080 | Quick thermocouple M9x1 L=850 | x | 2 | | | | | |
| 5 | 826920050 | Interrupted thermocouple M9x1 L=600 | x | 2 | | | | | |
| 6 | 826630010 | Safety thermostat | x | 2 | | | | | |
| 7 | 826650010 | Spark plug | x | 2 | | | | | |
| 8 | 822450070 | Plug holder | | 2 | | | | | |
| 9 | 826630020 | Piezo lighter | x | 2 | | | | | |
| 10 | 826690011 | Lighter cable L=650 mm | x | 2 | | | | | |
| 11 | 821110010 | Bulb retainer | | 2 | | | | | |
| 12 | 826920010 | EUROSIT valve gas | x | 2 | | | | | |
| 13 | 822450020 | Valve cap | | 4 | | | | | |
| 14 | 822450170 | 3/8" Nipple for valve | | 4 | | | | | |
| 15 | 824710060 | Connection | | 2 | | | | | |
| 16 | 822160011 | Extension for Knob | | 2 | | | | | |
| 17 | 825110080 | Gasket (per meter) | | 2,5 | | | | | |
| 18 | 824710070 | Knob Fry-Top with thermostat | x | 2 | | | | | |
| 19 | 822140010 | Nozzle Ø=1.10 | | 2 | | | | | |
| 19 | 822140020 | Nozzle Ø=1.25 | | 2 | | | | | |
| 19 | 822140050 | Nozzle Ø=1.90 | | 2 | | | | | |
| 19 | 822140060 | Nozzle Ø=2.10 | | 2 | | | | | |
| 20 | 822410120 | Exhaust grid | | 2 | | | | | |
| | | | | | | | | | |
| | | | | | | | | | |
| | | | | | | | | | |
| | | | | | | | | | |
| | | | | | | | | | |
| | | | | | | | | | |
| | | | | | | | | | |
| | | | | | | | | | |
| | | | | | | | | | |
| | | | | | | | | | |
| | | | | | | | | | |
| | | | | | | | | | |
| | | | | | | | | | |
| | | | | | | | | | |
| | | | | | | | | | |
| | | | | | | | | | |
| | | | | | | | | | |
| | | | | | | | | | |
| | | | | | | | | | |
| | | | | | | | | | |
| | | | | | | | | | |
| | | | | | | | | | |
| | | | | | | | | | |
| | | | | | | | | | |
| | | | | | | | | | |
| | | | | | | | | | |
| | | | | | | | | | |
| | | | | | | | | | |
| | | | | | | | | | |
| | | | | | | | | | |
| | | | | | | | | | |

X : Suggested PARTS

| | | |
|---|------|-----------------|
| FRY-TOP GAS TOP (Serie 700 - 1/1M) GAS FRY-TOP | RIF. | Da matricola n° |
| | REF. | From serial n° |
| Versione con Piastra acciaio e/o Cromo Version steel and/or chromed plate | | |